

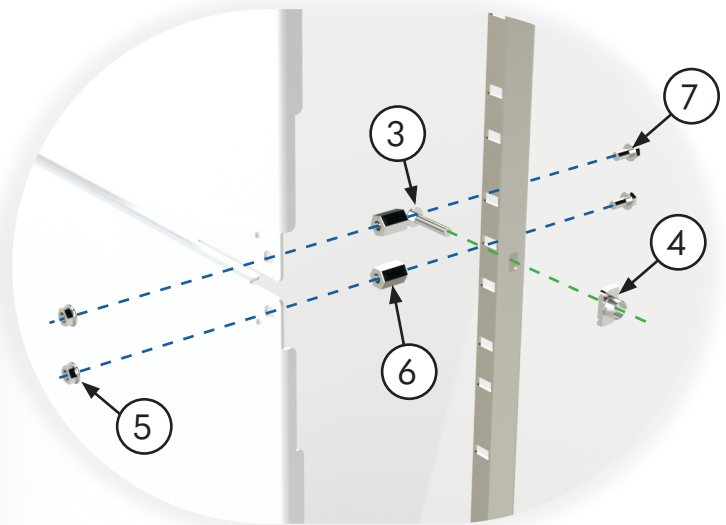
HEAVY-DUTY PANEL SUPPORTS INSTALLATION



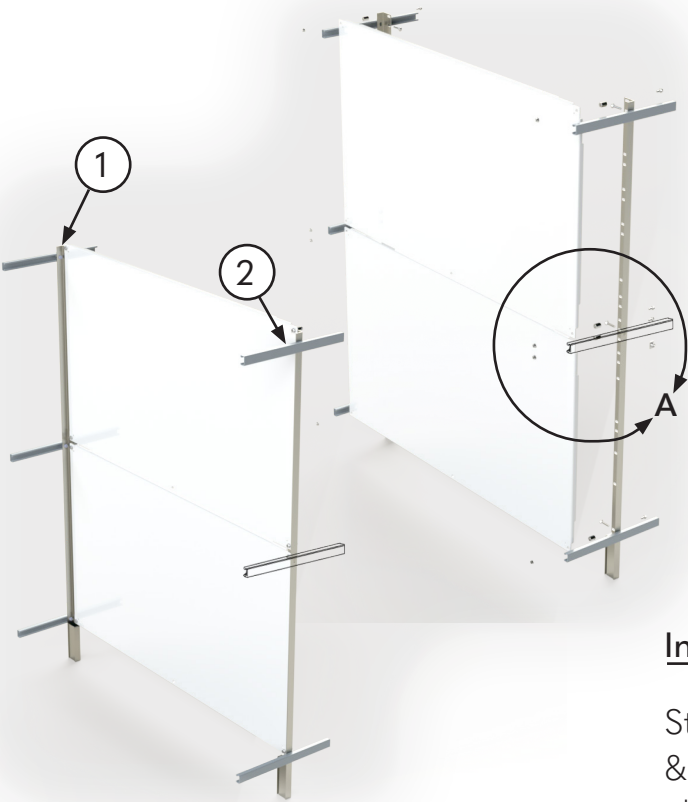
Your Enclosure Source[®]

SCE-60FSHDPS
SCE-72FSHDPS
SCE-90FSHDPS

ITEM #	PART NAME	QTY
1	LEFT SUPPORT	1
2	RIGHT SUPPORT	1
102028	BOLT PACK INCLUDES ITEMS 3-7	1
3	3/8-16 SERRATED FLANGED BOLT	6
4	3/8-16 CHANNEL NUT	6
5	3/8-16 SERRATED FLANGED NUT	8
6	3/8-16 COUPLING NUT	8
7	3/8-16 X 2 CARRIAGE BOLT	8



Detail A

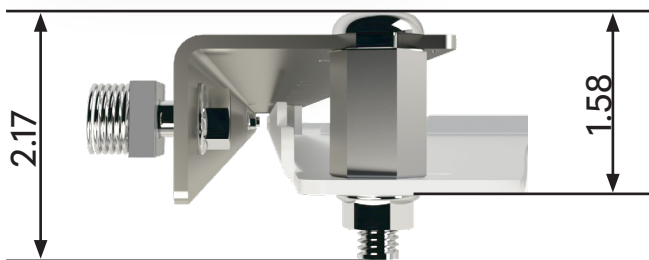


Installation Instructions

Step 1: Attach heavy-duty panel supports (items 1 & 2) to mounting channels inside enclosure using channel nuts and bolts (items 3 & 4).

Step 2: Attach coupling nuts and carriage bolts (items 6 & 7) tightly to panel support angles where needed. Use 4 per half panel, 6 per full panel.

Step 3: Install panel(s) using serrated flanged nuts (item 5).



Top View