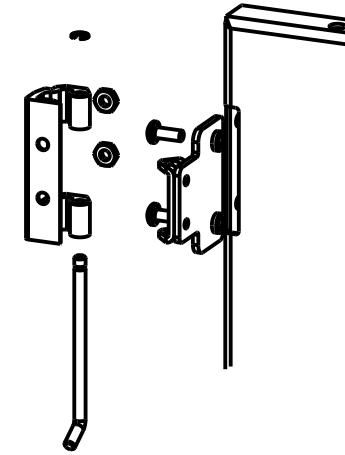
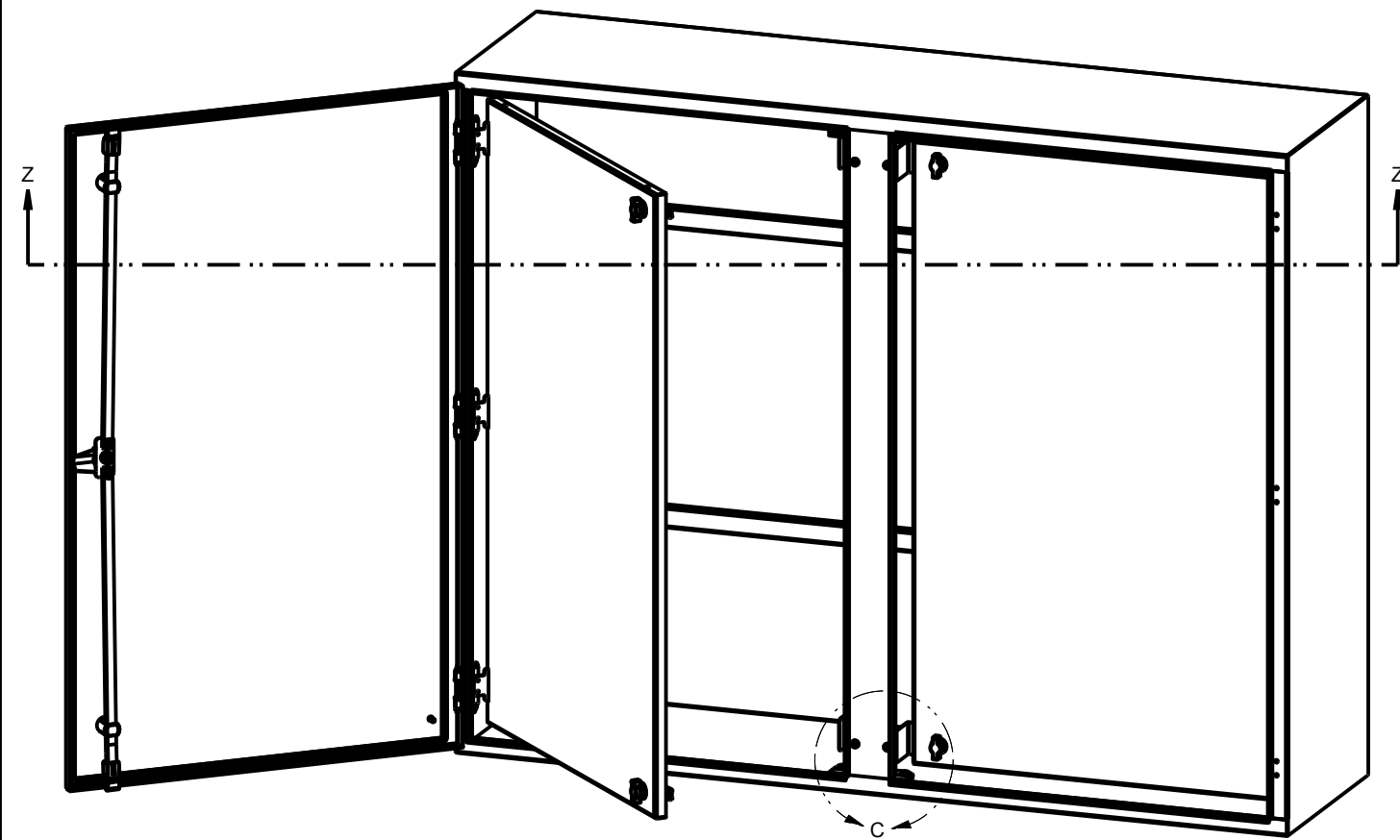
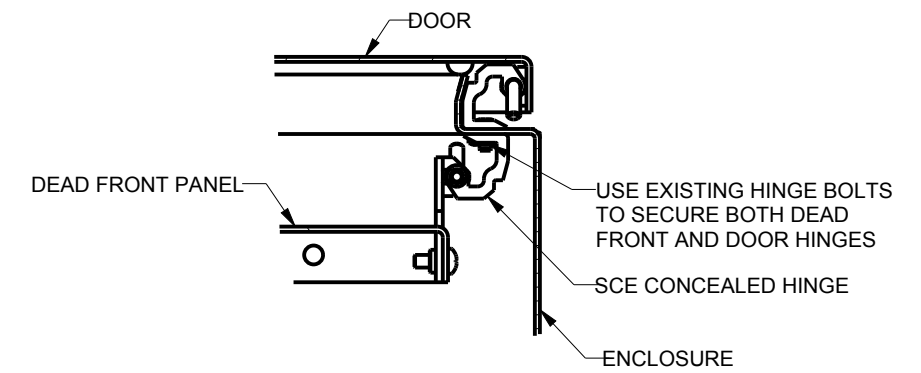


# SAGINAW CONTROL & ENGINEERING DEAD FRONT, WALLMOUNT TWO DOOR WITH CENTER CHANNEL

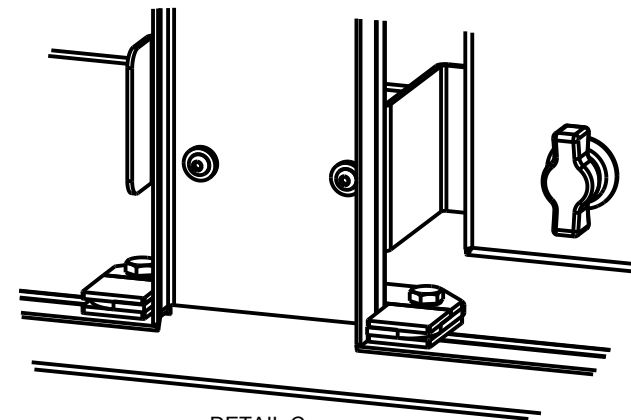


EXPLODED HINGE DETAIL

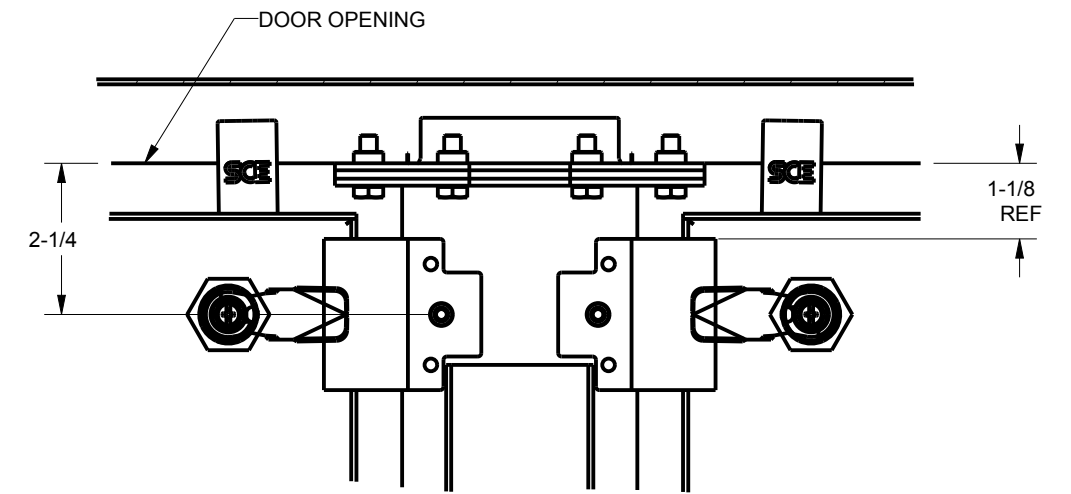


DETAIL A

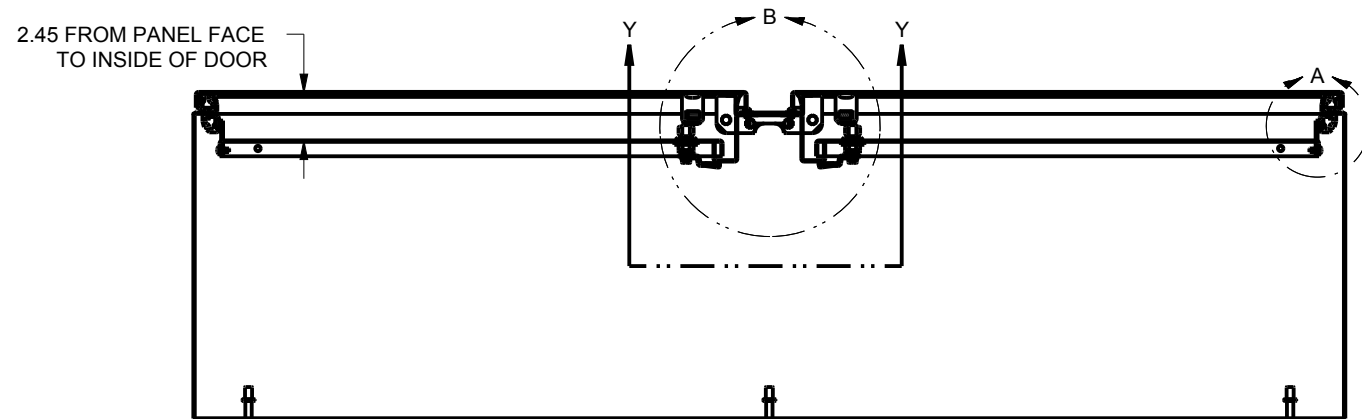
DEAD FRONT PANEL SIZE:  
HEIGHT = ENCL. OPENING - 1.50"  
WIDTH = ENCL. OPENING - 0.75"



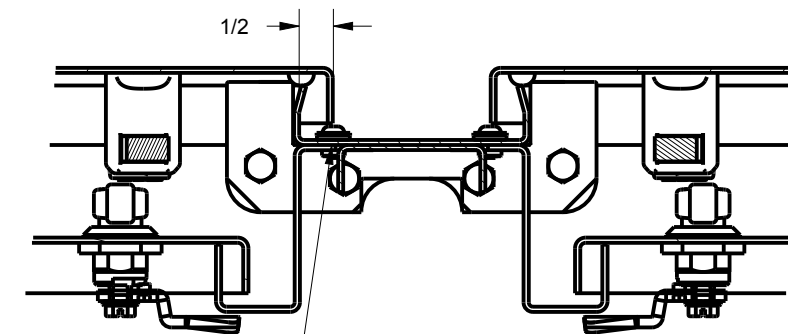
DETAIL C



SECTION Y-Y



VIEW SHOWN WITH THE  
DOORS & DEAD FRONT CLOSED  
BOTTOM VIEW SECTION Z-Z



DETAIL B

DRILL  $\varnothing$  .218 HOLE FOR A  
10-32 BUTTON HEAD TORX  
SCREW 1pc PER CATCH