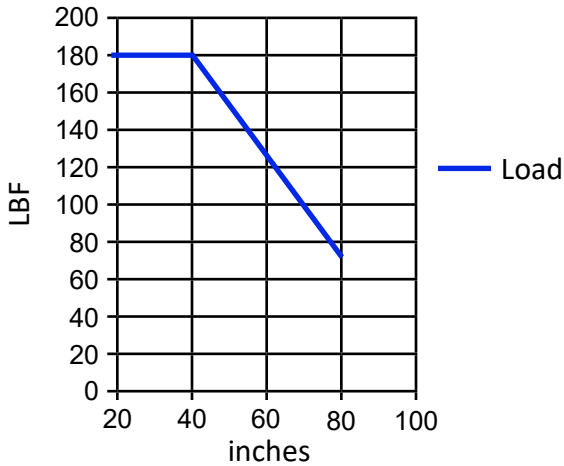


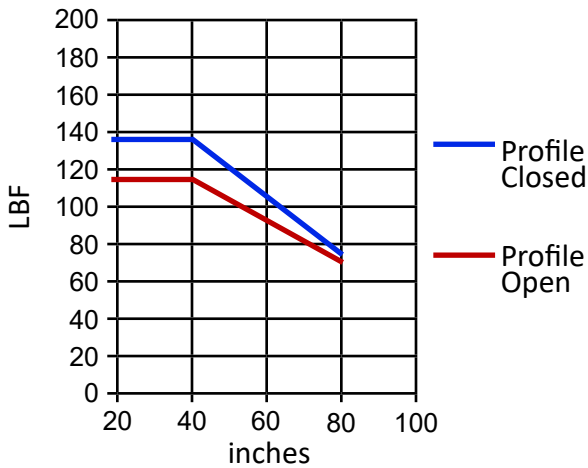
# SUSPENSION SYSTEM

## Load Diagrams

### Without Intermediate Joint



### With Intermediate Joint



Part List		
	Hardware Name	Torque Inch LBS.
A	M8 x 50	265 in-lb.
B	M6 x 16	71 in-lb.
C	M4 x 10	27 in-lb.
D	M6	89 in-lb.
E	M10 / 3/8-16	434 in-lb.
F	M5 x 16 w/ Flat Washer	-- in-lb.
G	M6 x 22 w/ Flat Washer	-- in-lb.

With intermediate joint max. Tube length:

Profile closed:

- 60" distance between wall hinge, top mounted joint and intermediate joint or
  - 60" distance between angle and intermediate joint.
- Complete length max. 80"

Profile open:

- 40" distance between wall hinge, top mounted joint and intermediate joint or
  - 40" distance between angle and intermediate joint.
- Complete length max. 80"

Installation of tube into intermediate, top mount and wall mount joints are pressure fit requiring the tightening of the fasteners to draw the tube into the pocket.

Tighten fastener in alternating pattern to draw together evenly.



○ = Included and standard

### SCE-SA360C

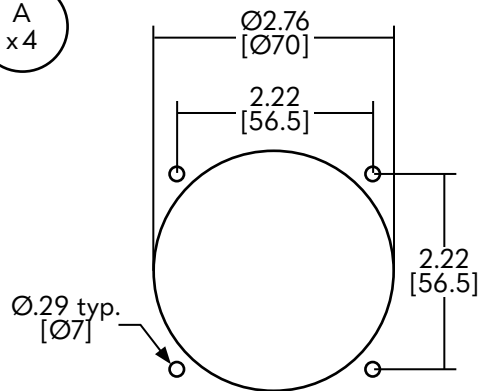
○ G x 4



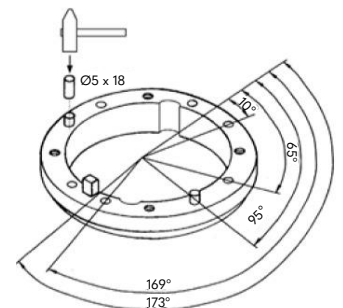
○ A x 4

○ D x 4

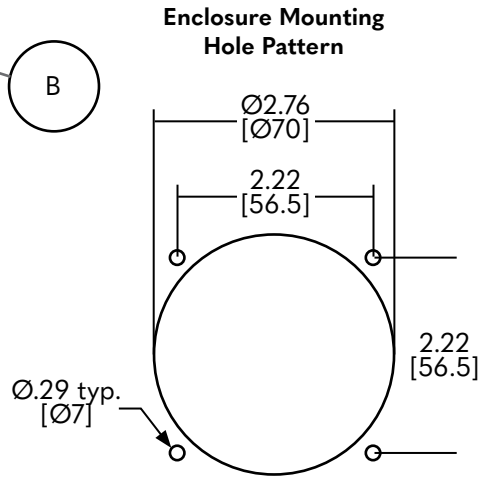
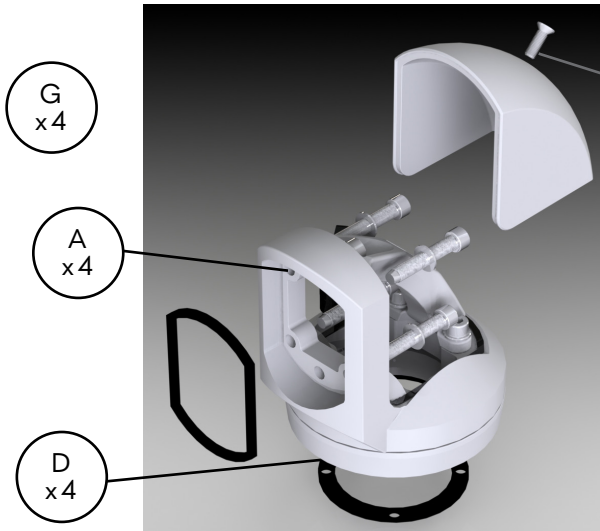
### Enclosure Mounting Hole Pattern



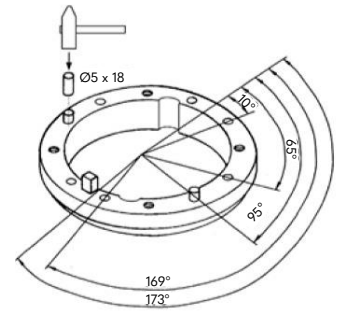
### Rotation Limiting Pin Installation



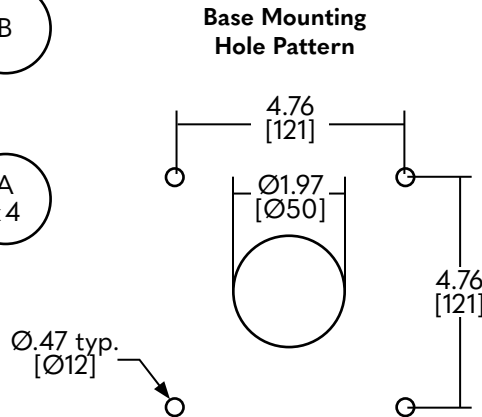
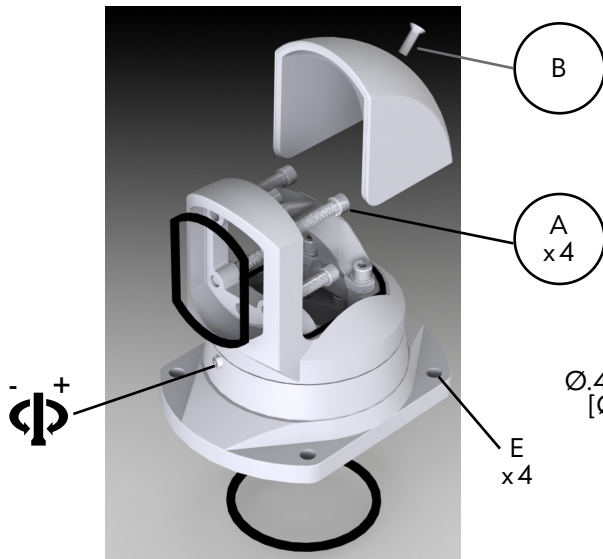
**SCE-SA320AC**



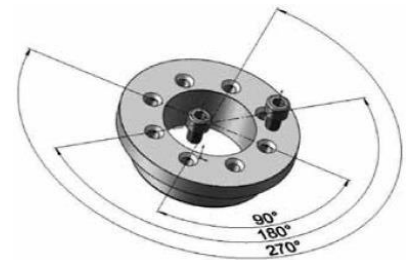
**Rotation Limiting Pin Installation**



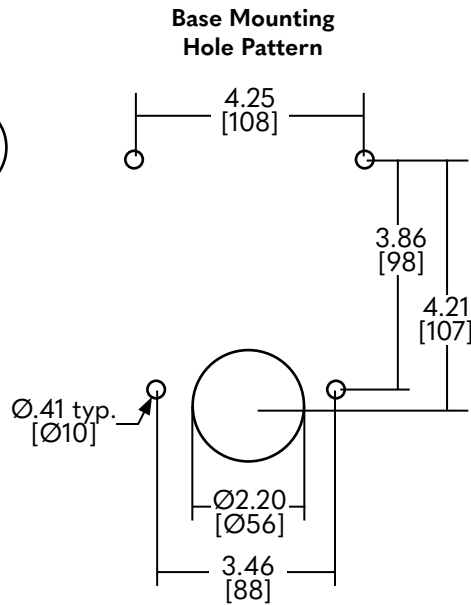
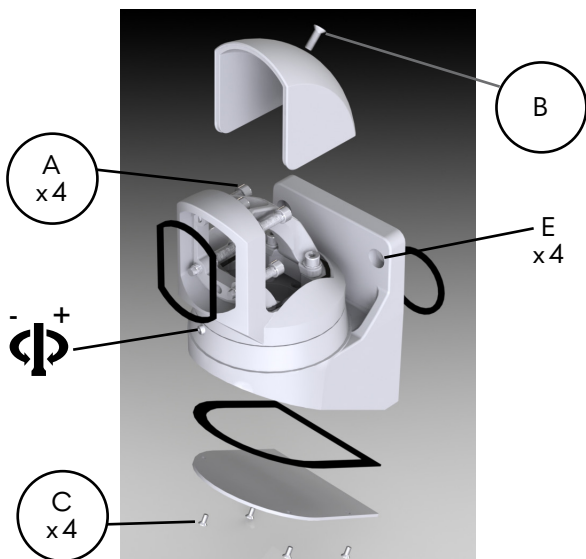
**SCE-SA310TMJ**



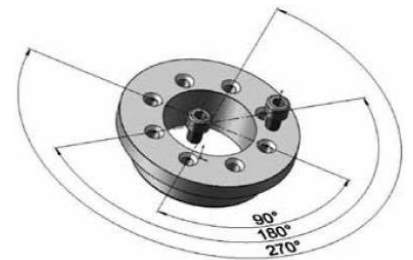
**Rotation Limiting Screw Installation**



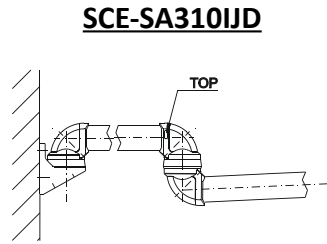
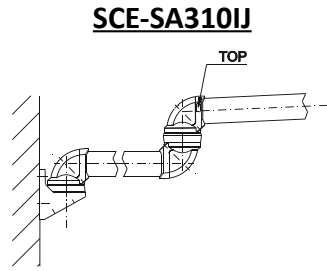
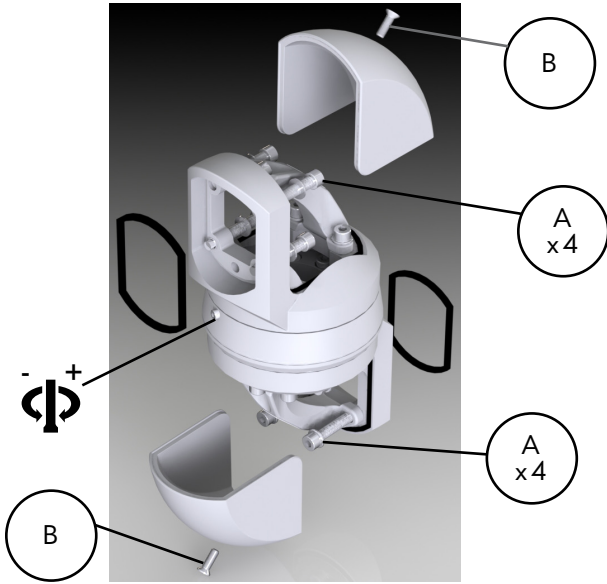
**SCE-SA230WH**



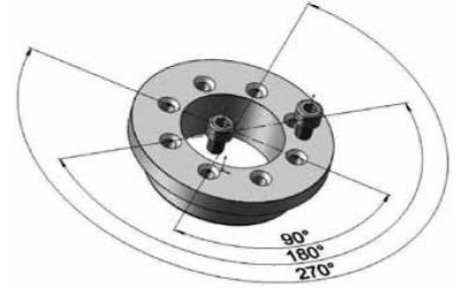
**Rotation Limiting Screw Installation**



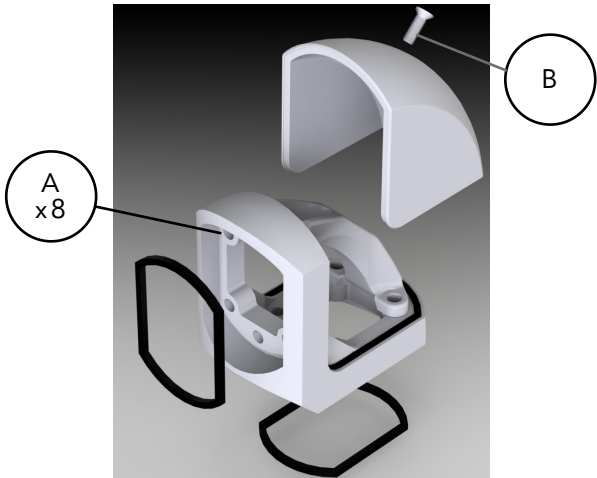
**SCE-SA310IJ**  
or  
**SCE-SA310IJD**



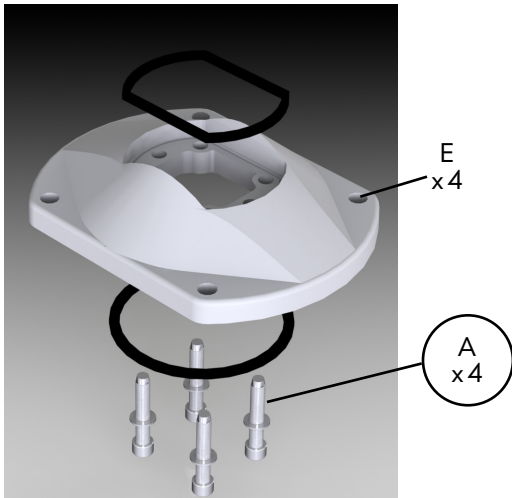
**Rotation  
Limiting Screw Installation**



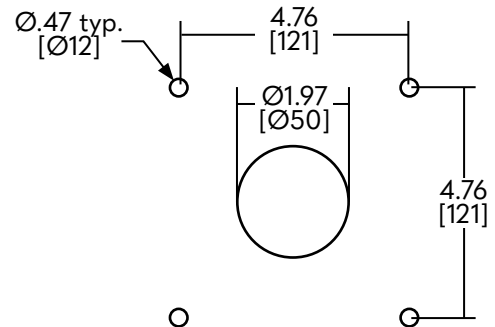
**SCE-SA90A**



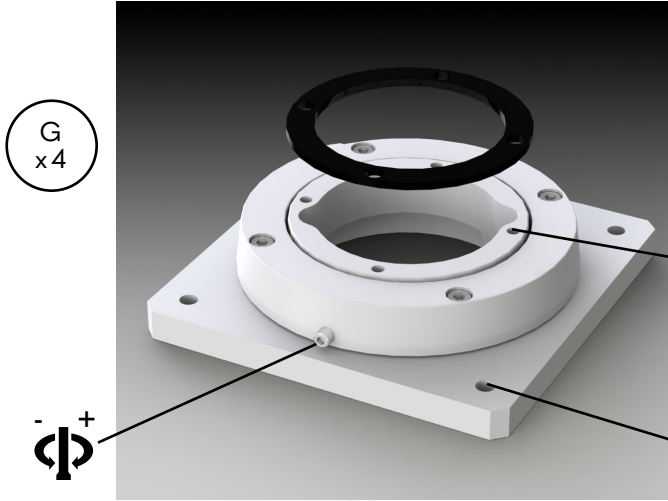
**SCE-SAFFS**



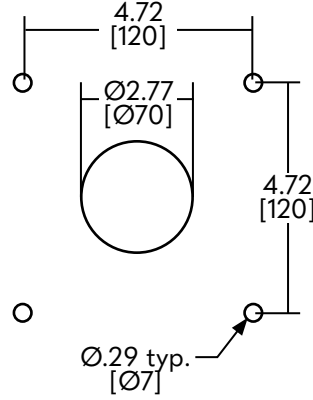
**Base Mounting  
Hole Pattern**



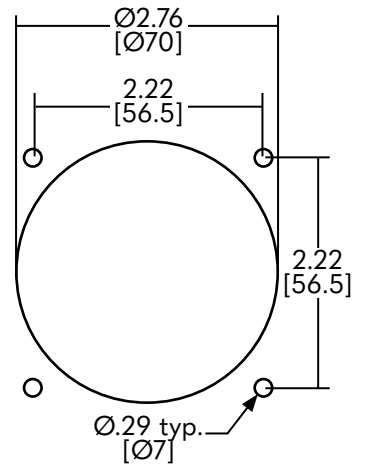
**SCE-SATFS**



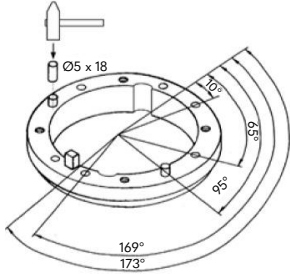
**Base Mounting Hole Pattern**



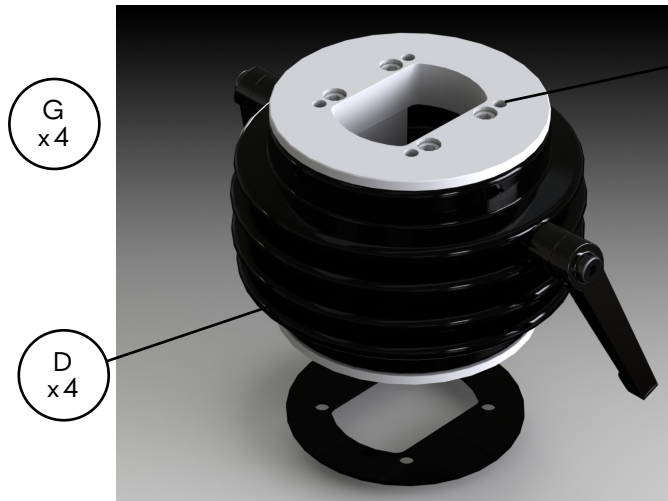
**Enclosure Mounting Hole Pattern**



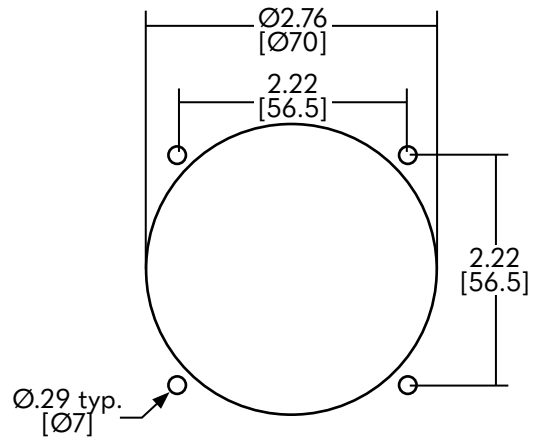
**Rotation Limiting pin installation**



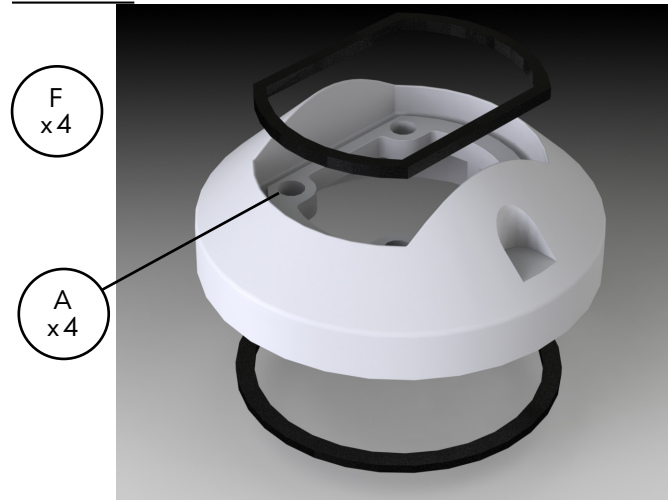
**SCE-SA451A**



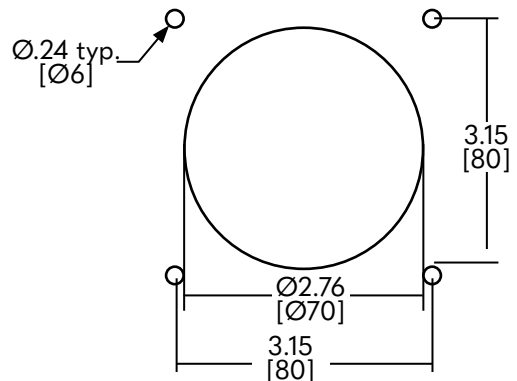
**Enclosure Mounting Hole Pattern**



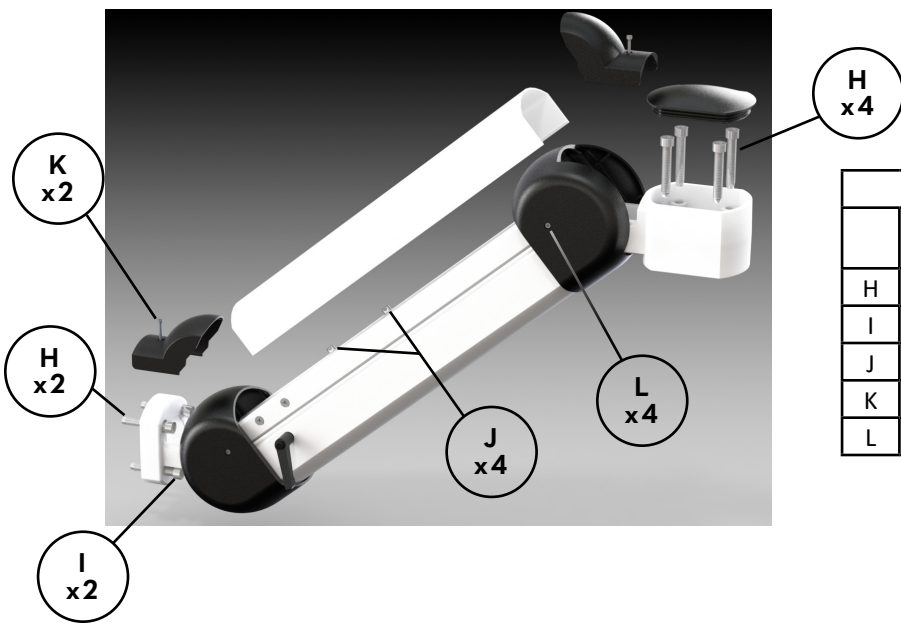
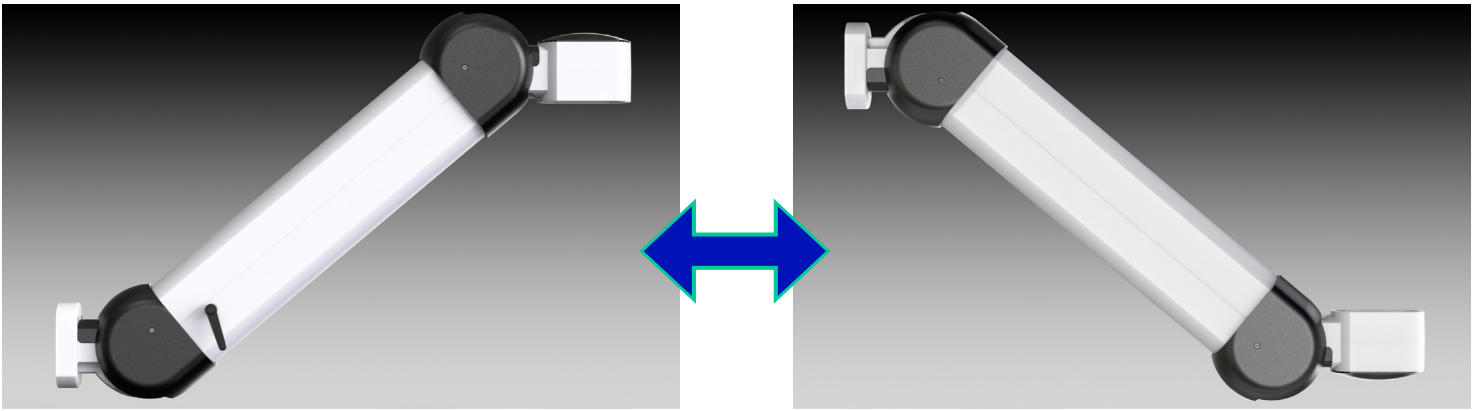
**SCE-SAFC**



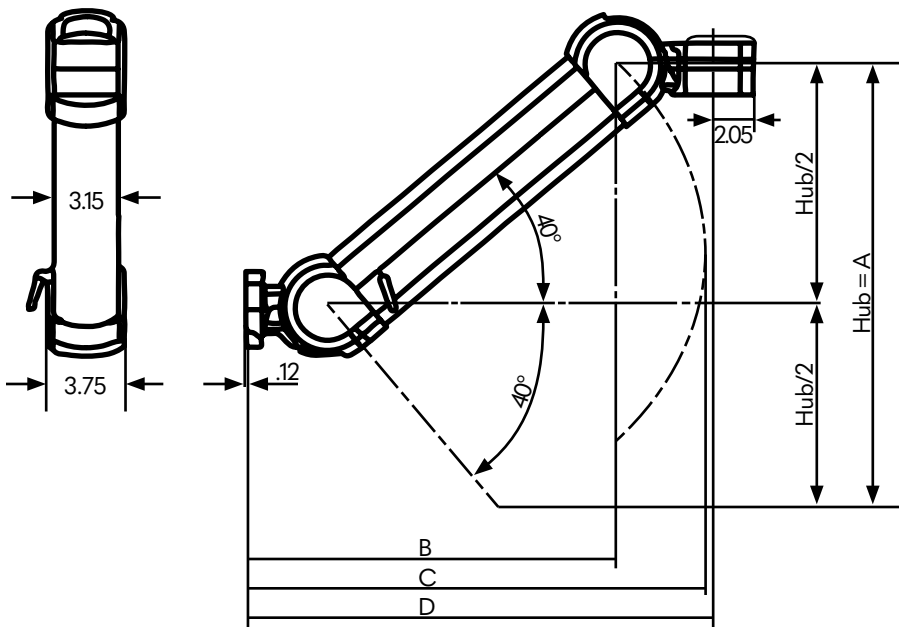
**Enclosure Mounting Hole Pattern**



# Counter Balance Arm



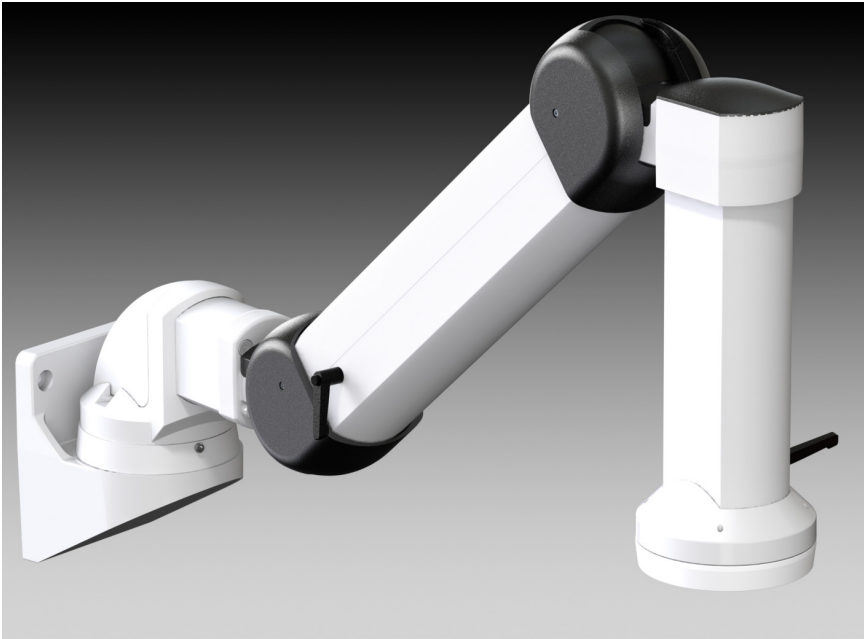
Part List		
	Hardware Name	Torque Inch LBS.
H	M8 x 60	265 in-lb.
I	M8 x 40	265 in-lb.
J	M5	53 in-lb.
K	M3 x 30	-- in-lb.
L	M3 x 12	-- in-lb.



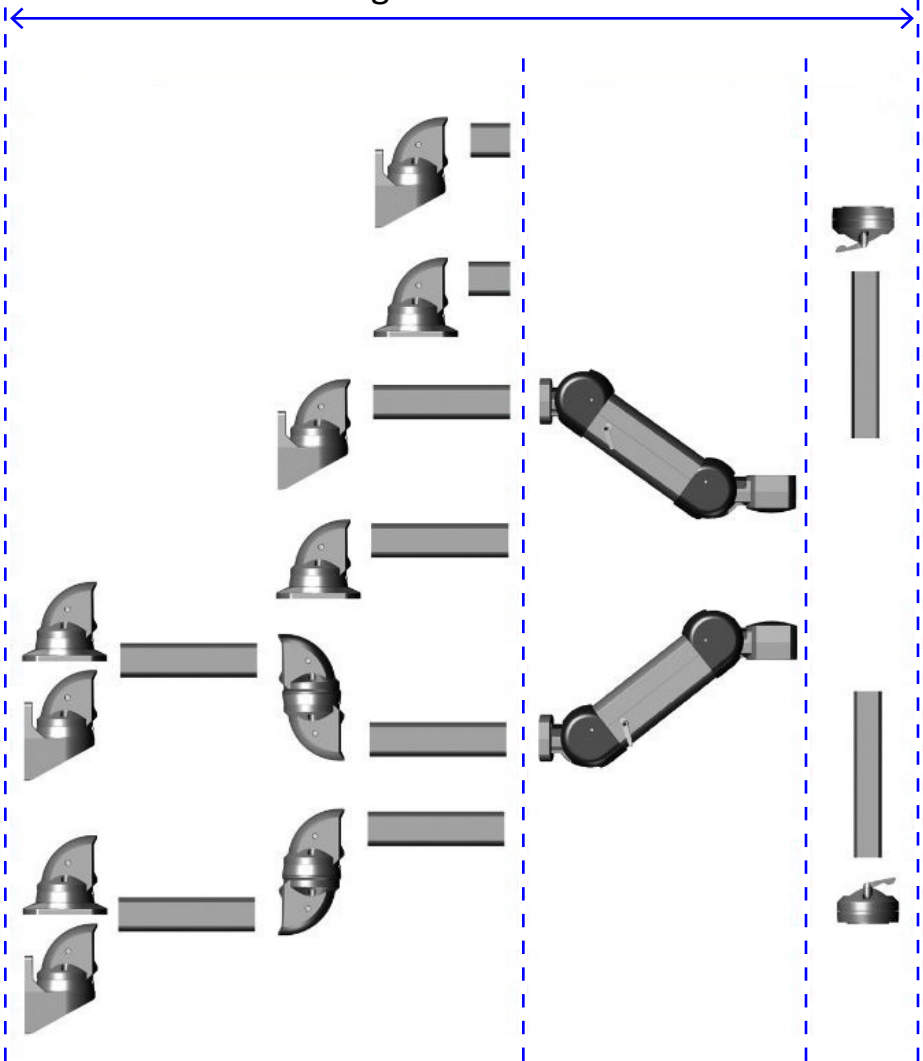
HUB / STROKE inches			
A (in)	B (in)	C (in)	D (in)
24	18	22	23

# Counter Balance Arm possible combinations

SCE-SACB11T31  
or  
SCE-SACB31T55



Max Length = 78.75 inches



# SCE-SAMM



**SCE-SAMM Includes**  
← Small plate (e.g. left)  
Large plate (e.g. right) →  
for specific mounting

