

Section 1

Load Centers



QO Miniature Circuit Breakers



QO Load Centers



Homeline Circuit Breakers



QO Circuit Breakers

Selection Assistance	1-2
QO™ Load Centers	1-3
Indoor, 1Ø, Main Lugs	1-3
Indoor, 1Ø, Main Circuit Breaker	1-4
Indoor, 1Ø, Main Lugs and Main Breaker	1-5
Rainproof, 1Ø, Main Lugs and Main Circuit Breaker	1-6
3Ø, Main Lugs and Main Circuit Breaker	1-7
1Ø, Backup Power Solutions	1-8
1Ø, Special Applications	1-9
QO™ Miniature Circuit Breakers	1-10
QO Plug-On Circuit Breakers	1-10
Accessories	1-14
QO™ and Homeline™ Load Centers and Circuit Breakers	1-16
1Ø, Value Packs and Riser Panels	1-16
QO and Homeline Plug-On Neutral Load Centers with Qwik-Grip	1-16
1Ø3W—120/240 Vac—UL Listed	1-16
QO Riser Panels	1-17
Panelboard-style Covers for Riser Panels	1-17
Load Center Accessories	1-17
QO and Homeline Load Center Accessories	1-17
QO Load Center Accessories	1-17
QO and HOM Qwik-Grip Load Center Accessories	1-18
Homeline Load Center Accessories	1-18
Surge Protective Devices	1-19
Homeline™ Load Centers	1-19
Indoor, 1Ø, Main Lugs and Main Circuit Breaker	1-19
Rainproof, 1Ø, Main Lugs and Main Circuit Breakers	1-20
1Ø, Field-Installed Mains Kits	1-20
Homeline™ Circuit Breakers	1-21
QO™ and Homeline™ Load Centers	1-24
Indoor, Dimensions and Knockouts	1-24
Rainproof, Dimensions, Knockouts and Bolt-on Hubs	1-26
Combination Service Entrance Devices	1-26
Rainproof, Meter Mains	1-26
Rainproof, All-In-Ones, 100 to 225 A Maximum	1-30
Rainproof, Meter Mains and All-In-Ones, 300–400 A	1-31
Circuit Breakers for CSEDs	1-32
Accessories and Hubs for CSEDs	1-33
Dimensions	1-34
RC/QC Solar Ready CSEDs	1-35
Homeline Solar Ready PoN CSEDs	1-36
Rainproof, Meter Mains and All-In-Ones, 125 to 225 A Maximum	1-36
Enclosed Devices	1-37
Servicepak™ Power Outlet Panels	1-39



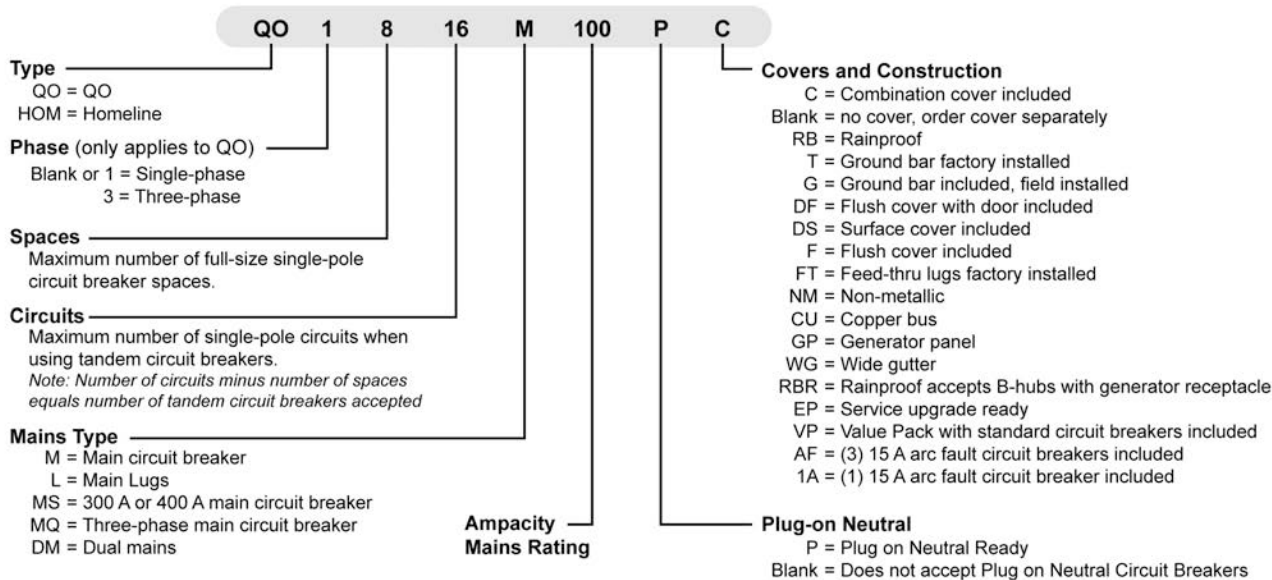
QO Load Center

QO™ and Homeline™ Load Center Selection Assistance
Load Center Selection Assistant

Steps to select a load center.

1. Select product type:
 - Homeline™ 1 inch format (HOM)
 - QO™ 3/4 inch format with plug-on neutral (QO) (P)
 - QO™ 3/4 inch format (QO)
2. Select enclosure type: indoor or outdoor (RB = rainproof)
3. Select single phase (1) or three phase (3)
4. Select type of main:
 - Main circuit Breaker (M)
 - Main lugs (L)
 - Generator panel (GP)
5. Select main ampacity rating
6. Select pole spaces and max. number of 1-pole, single-phase circuits
7. Select cover style:
 - Surface (box mounted on surface)
 - Surface (box mounted on surface, hinged cover included)
 - Flush (box recessed, cover is flush to wall)
8. Value pack (VP)
9. Select ground bar option:
 - Ground bar factory installed (T)
 - Ground bar included, field installation (G)
10. Select special application:
 - Riser panel with gutter
 - Mfg housing, single phase 3-wire, convertible mains
 - Manufactured housing, single phase, 3-wire
 - Manufactured housing, single phase, 2-wire

QO™ and Homeline™ Load Centers — Catalog Number Construction



Additional Information

- Search “Load Centers” from our technical FAQs page: www.schneider-electric.us/en/faqs/home/
- Refer to catalog [1100CT0501](#).

1Ø3W—120/240 Vac—UL Listed Main Lugs



QO120L125G



QO816L100F or S
without cover

Table 1.1: Main Lugs (Accepts Only QO Plug-On Circuit Breakers)

Mains Rating	Spaces	Max. 1P Circuits [1]	Max. Tandem Circuit Breakers	Load Center Box and Interior	Indoor Cover with Door (Order Separately)		Main Wire Size AWG/kcmil		Equipment Ground Bar Kit (Order Separately)	Box No. [2]
					Flush	Surface	Al	Cu		
Fixed Mains—Factory-Installed Main Lugs—10 kA Short Circuit Current Rating [3]										
30 A	2	2	0	QO2L30S [4] [5]	Cover Included—Without Door		12–10	14–10	PK3GTA1	1
70 A	2	4	2	QO24L70F/S [6] [7]	Cover Included—Without Door		12–3	14–4	PK4GTA	2
	6	12	6	QO612L100F/S [6] [8]	Cover Included—Without Door		8–1		PK7GTA	4
	6	12	6	QO612L100DF/S [6] [8]	Cover Included—With Door			PK7GTA	4	
	8	16	8	QO816L100F/S [6] [8]	Cover Included—Without Door			PK7GTA	4	
	8	16	8	QO816L100DF/S [6] [8]	Cover Included—With Door			PK7GTA	4	
	6	12	6	QO612L100DFCU/SCU [6] [8] [9]	Cover Included—With Door			PK7GTA	4	
	8	16	8	QO816L100DFCU/SCU [6] [8] [9]	Cover Included—With Door			PK7GTA	4	
125 A	4	8	4	QO148L125GF/S [6] [10]	Cover Included—Without Door			12–2/0	14–2/0	PK7GTA [11]
Convertible Mains—Factory-Installed Main Lugs—65 kA Short Circuit Current Rating QOM1 Main Frame Size—Convertible to Main Circuit Breaker—Cu Bus [3] [12]										
125 A	12	12	0	QO112L125G	QOC16UF	QOC16US	6–2/0		PK9GTA [11]	6
	12	24	12	QO11224L125G	QOC16UF	QOC16US		PK15GTA [11]	6	
	16	16	0	QO116L125G	QOC24UF	QOC24US		PK12GTA [11]	7	
	16	24	8	QO11624L125G	QOC24UF	QOC24US		PK15GTA [11]	7	
	20	20	0	QO120L125G	QOC20U100F	QOC20U100S	6–2/0	6–1	PK15GTA [11]	6
	20	24	4	QO12024L125G	QOC20U100F	QOC20U100S	6–2/0	6–1	PK15GTA [11]	6
	24	24	0	QO124L125G	QOC24UF	QOC24US	6–2/0		PK15GTA [11]	7
32	32	0	QO132L125G	QOC32UF	Use Flush	PK23GTA, LK100AN [11]		8		
Convertible Mains—Factory-Installed Main Lugs—65 kA Short Circuit Current Rating—Convertible To Main Circuit Breaker—Cu Bus [3] [12]										
150 A	20	30	10	QO12030L150G	QOC30UF	QOC30US	6–250		PK23GTA, LK100AN [11]	9
	24	24	0	QO124L150G	QOC30UF	QOC30US		PK15GTA [11]	9	
	30	30	0	QO130L150G	QOC30UF	QOC30US		PK23GTA, LK100AN [11]	9	
200 A	12	12	0	QO112L200G	QOC30UF	QOC30US	6–250		PK15GTA [11]	9
	24	36	12	QO12436L200TFT [13]	QOC40UF	QOC40US		PK23GTA, LK100AN [11]	10	
	30	30	0	QO130L200G	QOC30UF	QOC30US		PK23GTA, LK100AN [11]	9	
	30	40	10	QO13040L200G	QOC30UF	QOC30US		PK23GTA, LK100AN [11]	9	
	40	40	0	QO140L200G	QOC40UF	QOC40US		PK23GTA, LK100AN [11]	10	
	40	60	20	QO14060L200G	QOC40UF	QOC40US		(2) PK15GTA [11]	10	
	42	52	10	QO14252L200G	QOC42UF	QOC42US		(2) PK15GTA [11]	11	
225 A	42	42	0	QO142L225G	QOC42UF	QOC42US	6–300	PK23GTA, LK100AN [11]	11	
Fixed Mains—Factory-Installed Main Lugs—65 kA Short Circuit Current Rating [3] [12]										
400 A	30	30	0	QONQ30LS400 (Int) [14]	NC50NQVF	NC50NQVS	(1) 1/0–750 or (2) 1/0–300		PK27GTA [15] or PK15GTA6	15
				MH50 (box) [16]						15
				QONQ42LS400 (Int) [14]						
	42	42	0	MH50 (box) [16]						15

Above listings through 200 A mains rating meet Federal Specification W-P-115C as Type 1, Class 2.

[1] Maximum single pole branch circuits utilizing QO and/or QOT circuit breakers.
 [2] See Table 1.57 Knockout Information, page 1-24
 [3] UL short circuit current rating depends on lowest interrupting rating of circuit breaker installed.
 [4] Will not accept QO-EPD or Qwik-Gard™ QO-GFI or QO-AFI circuit breakers.
 [5] Mains rated 25 A when Al wire is used.
 [6] Order F for flush device or S for surface device.
 [7] Use 10 AWG maximum size wire for GFI and AFI circuit breakers.
 [8] 70 A Max. branch circuit breaker and 100 A max. back fed main circuit breaker.
 [9] CU indicates copper bus.
 [10] Copper bus.
 [11] Factory-included.
 [12] UL Listed 5000 A short circuit current rating for corner grounded Delta systems. Use QO-H circuit breakers only.
 [13] Supplied with feed-thru lugs.
 [14] Interior only, order box separately.
 [15] PK27GTA includes a 6–2/0 AWG Al/Cu lug.
 [16] PE1A Discount Schedule.

1Ø, Field-Installed Main Circuit Breaker Kits

Table 1.2: QOM1 Frame Size—Use with Convertible Main Load Centers Only



QOM1 Frame Size
50–125 Amperes

Main Circuit Breaker Rating [17]	Convertible Load Center Mains Rating	22 k AIR [18]		Lug Wire Size [19] AWG/kcmil
		Main Circuit Breaker		
50 A	100–125	QOM50VH		12–2/0 Al or Cu
60 A	100–125	QOM60VH		
70 A	100–125	QOM70VH		
80 A	100–125	QOM80VH		
90 A	100–125	QOM90VH		
100 A	100–125	QOM100VH		
110 A	125	QOM110VH		
125 A	125	QOM125VH		

Table 1.3: QOM2 Frame Size—Use with Convertible Main Load Centers Only



QOM2 Frame Size
100–225 Amperes

Main Circuit Breaker Rating [17]	Convertible Load Center Mains Rating	22 k AIR [18]		Lug Wire Size [19] AWG/kcmil
		Main Circuit Breaker [20]		
100 A	150–225	QOM2100VH		4–300 Al or Cu
125 A	150–225	QOM2125VH		
150 A	150–225	QOM2150VH		
175 A	200–225	QOM2175VH		
200 A	200–225	QOM2200VH		
225 A	225	QOM2225VH		

1Ø3W—120/240 Vac—UL Listed Main Circuit Breaker

Table 1.4: Main Circuit Breaker (Accepts Only QO Plug-On Circuit Breakers.)

Mains Rating	Spaces	Max. Single Pole Circuits [21]	Max. Tandem Circuit Breakers	Load Center Box and Interior	Indoor Cover with Door (Order Separately)		Main Wire Size AWG/kcmil Al or Cu	Equipment Ground Bar Kit (Order Separately)	Box No. See page 1-24
					Flush	Surface			
Convertible Mains—Factory-installed Main Circuit Breaker, 22 kA Short Circuit Current Rating, Convertible to Main Lugs (see below) or Lower Amperage Main Circuit Breaker. (See 1-5, page 1-3), [18]									
QOM1 Main Circuit Breaker Frame Size—Copper Bus									
100 A	12	12	0	QO112M100	QOC12UF	QOC12US	6–1	PK9GTA	5
	16	16	0	QO116M100	QOC20U100F	QOC20U100S		PK12GTA	6
	20	20	0	QO120M100	QOC20U100F	QOC20U100S		PK15GTA	6
	24	24	0	QO124M100	QOC24UF	QOC24US		PK15GTA	7
	32	32	0	QO132M100	QOC32UF	Use Flush		PK18GTA	8
125 A	24	24	0	QO124M125	QOC24UF	QOC24US	6–2/0	PK15GTA	7
	32	32	0	QO132M125	QOC32UF	Use Flush		PK18GTA	8
Convertible Mains—Factory-installed Main Circuit Breaker, 22 kA Short Circuit Current Rating, Convertible to Main Lugs (see below) or Lower Amperage Main Circuit Breaker. (See page 1-5, page 1-3), [18]									
QOM2 Main Circuit Breaker Frame Size—Copper Bus									
150 A	20	30	10	QO12030M150	QOC30UF	QOC30US	4–250	PK18GTA	9
	24	24	0	QO124M150	QOC30UF	QOC30US		PK15GTA	9
	30	30	0	QO130M150	QOC30UF	QOC30US		PK18GTA	9
	32	32	0	QO132M150	QOC40UF	QOC40US		PK18GTA	10
200 A	20	40	20	QO12040M200	QOC30UF	QOC30US	4–250	PK23GTA	9
	24	24	0	QO124M200	QOC30UF	QOC30US		PK15GTA	9
	24	36	12	QO12436M200TFT [22]	QOC40UF	QOC40US		PK23GTA and LK100AN [23]	10
	30	30	0	QO130M200	QOC30UF	QOC30US		PK18GTA	9
	30	40	10	QO13040M200	QOC30UF	QOC30US		PK23GTA	9
	40	40	0	QO140M200	QOC40UF	QOC40US		PK23GTA	10
225 A	40	60	20	QO14060M200	QOC40UF	QOC40US	4–300	PK23GTA	10
	42	42	0	QO142M200	QOC42UF	QOC42US		PK23GTA	11
	42	52	10	QO14252M200	QOC42UF	QOC42US		PK23GTA	11
	40	40	0	QO140M225	QOC42UF	QOC42US		PK23GTA	11
	42	42	0	QO142M225	QOC42UF	QOC42US		PK23GTA	11
	Fixed Mains—Factory-installed LAL Main Circuit Breaker, 42 kA Short Circuit Current Rating [24]								
300 A	42	42	0	QONQ42MS300 (int) [25]	NC62NQVF	NC62NQVS	(1) 4–500 or (2) 4–3/0	PK27GTA [26] or PK15GTA6	16
				MH62 (box) [27]					
400 A	42	42	0	QONQ42MS400 (int) [25]	NC62NQVF	NC62NQVS	(1) 4–500 or (2) 4–250	PK15GTA6	16
				MH62 (box) [27]					



QO140M200

Above listings through 200 A mains rating meet Federal Specification W-P-115c as Type 1, Class 2.

[17] Do not exceed the load center mains rating.
 [18] 22 k AIR main circuit breaker UL Listed for use ahead of QO, QOT and QO-PL 10 k AIR branch circuit breakers to permit their application on systems with up to 22 kA available fault current.
 [19] Wire range listed for QOM circuit breaker kits is the wire range of that circuit breaker. To find out maximum wire size permitted in a particular load center per UL, see pages 1-5 through 1-11 under Main Wire Size.
 [20] Add suffix 1021 for 120, 208 or 240 Vac shunt trip.
 [21] Maximum single pole branch circuits utilizing QO and/or QOT circuit breakers.
 [22] Supplied with feed-thru lugs.
 [23] Factory included.
 [24] UL short circuit current rating depends on lowest interrupting rating of circuit breakers installed. Also, UL Listed 5000 A short circuit current for corner grounded Delta systems. Use QO-H circuit breakers only.
 [25] Interior only, order box separately.
 [26] PK27GTA includes a 6–2/0 Al/Cu lug.
 [27] PE1A Discount Schedule.

1Ø, Field-Installed Main Lugs Kits

Table 1.5: Use with Convertible Main Load Centers Only



Main Lugs Rating [28]	Use on Convertible Load Center with Mains Rating	Cat. No.	Lug Wire Size [29] AWG/kcmil Al or Cu
125 A	100–125 A	QOL125 [30]	6–2/0
225 A	150–225 A	QOL225 [30]	6–300

Indoor, 1Ø, Main Lugs and Main Breaker

QO Plug-on Neutral Load Centers and CAFI Breakers connect are engineered for a quick Plug-on Neutral connection on every unit.

Table 1.6: QO Plug-on Neutral CAFI Load Center (accepts QO Circuit Breakers only)

	Mains Rating	Spaces	Max. 1P Circuits	Max. Tandem Breakers	Load Center Box and Interior	Indoor Cover with Door (Order Separately)		Main Wire Size AWG/kcmil Al/Cu	Equipment Ground Bar Kit [31] (Order Separately)	Box No. [32]
						Flush	Surface			
INDOOR	Convertible Mains — Factory-Installed Main Lugs — 65 kA Short Circuit Current Rating — Copper Bus QOM1 Main Frame Size, Convertible to Main Circuit Breaker									
	125 A	24	24	0	QO124L125PG	QOC24UF	QOC24US	6–2/0	PK15GTA	7
	Convertible Mains — Factory-Installed Main Lugs — 65 kA Short Circuit Current Rating — Copper Bus QOM2 Main Frame Size, Convertible to Main Circuit Breaker									
	200 A	30	30	0	QO130L200PG	QOC30UF	QOC30US	6–250	PK23GTA, LK100AN	9
	225 A	42	42	0	QO142L225PG	QOC42UF	QOC42US	6–300	(2) PK15GTA	11
		54	54	0	QO154L225PG	QOC54UF	—		PK23GTA, LK100AN	12
	Convertible Mains — Factory-Installed Main Circuit Breaker — 22 kA Short Circuit Current Rating — Copper Bus QOM1 Main Circuit Breaker Frame Size, Convertible to Main Lugs or Lower Amperage Main Circuit Breaker									
	100 A	24	24	0	QO124M100P	QOC24UF	QOC24US	6–2/0	PK15GTA	7
	Convertible Mains — Factory-Installed Main Circuit Breaker — 22 kA Short Circuit Current Rating — Copper Bus QOM2 Main Circuit Breaker Frame Size, Convertible to Main Lugs or Lower Amperage Main Circuit Breaker									
	200 A	30	30	0	QO130M200P	QOC30UF	QOC30US	4–250	PK18GTA	9
		42	42	0	QO142M200P	QOC42UF	QOC42US		PK23GTA	11
		54	54	0	QO154M200P	QOC54UF	—		PK23GTA	12
60		60	0	QO160M200PC [33]	—	—	PK23GTA		24	
OUTDOOR	Convertible Mains — Factory-Installed Main Lugs — 65 kA Short Circuit Current Rating — Cu Bus QOM1 Main Circuit Breaker Frame Size, Convertible to Main Circuit Breaker — Equipment Ground Bar Included									
	125 A	24	24	0	QO124L125PGRB	—	—	6–2/0	PK15GTA	4R
	Convertible Mains — Factory-Installed Main Lugs — 65 kA Short Circuit Current Rating — Cu Bus QOM2 Main Circuit Breaker Frame Size, Convertible to Main Circuit Breaker — Equipment Ground Bar Included									
	200 A	30	30	0	QO130L200PGRB	—	—	6–250	PK23GTA, LK100AN	6R
	225 A	42	42	0	QO142L225PGRB	—	—	6–300	(2) PK15GTA	8R
	Convertible Mains — Factory-Installed Main Circuit Breaker — 22 kA Short Circuit Current Rating — Copper Bus Convertible to Main Lugs (see below) or Lower Amperage Main Circuit Breaker (See Indoor, 1Ø, Main Lugs, page 1-3), QOM1 Main Circuit Breaker Frame Size									
	100 A	24	24	0	QO124M100PRB	—	—	6–2/0	PK15GTA	4R
	Convertible Mains — Factory-Installed Main Circuit Breaker — 22 kA Short Circuit Current Rating — Copper Bus Convertible to Main Lugs (see below) or Lower Amperage Main Circuit Breaker (See Indoor, 1Ø, Main Lugs, page 1-3), QOM2 Main Circuit Breaker Frame Size									
	150 A	30	30	0	QO130M150PRB	—	—	4–250	PK18GTA	6R
	200 A	30	30	0	QO130M200PRB	—	—		PK18GTA	6R
		42	42	0	QO142M200PRB	—	—		PK23GTA	8R



[28] Do not exceed the load center mains rating.
 [29] Wire range listed for QOL lug kits is the wire range of that lug. To find out maximum wire size permitted in a particular load center per UL, see Tables in QO™ Load Centers, page 1-7 and QO™ and Homeline™ Load Centers and Circuit Breakers, page 1-13 under main wire size.
 [30] If main circuit breaker knockout has been removed from the load center's trim, order appropriate filler plate from Table 1.51, page 1-20
 [31] Any catalog number containing the suffix 'G', ground bar factory is included. In addition to LK100AN where listed.
 [32] See Indoor Knockout Information and Enclosure Dimensions, page 1-24
 [33] Flush cover without a door is included. Door kit available separately, order QOCDK60.

**1Ø3W—120/240 Vac—UL Listed
Main Lugs and Main Circuit Breakers**

Table 1.7: Main Lugs (Accepts Only QO Plug-On Circuit Breakers.)

Mains Rating	Spaces	Max. Single Pole Circuits [34]	Max. Tandem Circuit Breakers	Load Center Box and Interior	Main Wire Size AWG/kcmil		Equipment Ground Bar Kit (Order Separately)	Box No. [35]
					Al	Cu		
Non-Metallic Enclosure								
Fixed Mains—Factory-installed Main Lugs—10 kA Short Circuit Current Rating								
60 A	2	4	2	QO24L60NRNM	14-4	14-4	Factory-installed	1NM
Metallic Enclosure								
Fixed Mains—Factory-installed Main Lugs—10 kA Short Circuit Current Rating								
40 A	2	2	0	QO2L40RB [36]	12-6	14-6	PK3GTA1	1R
70 A	2	4	2	QO24L70RB [36]	12-3	14-4	PK4GTA	1R
100 A	6	12	6	QO612L100RB [37]	8-1		PK7GTA	2R
	6	12	6	QO612L100TRB [37]			Factory-installed	2R
	8	16	8	QO816L100RB [37]			PK7GTA	2R
	6	12	6	QO612L100RBCU [37] [38]			PK7GTA	2R
	8	16	8	QO816L100RBCU [37] [38]			PK7GTA	2R
125 A	4	8	4	QO148L125GRB [38]	12-2/0	14-2/0	PK7GTA Factory-included	15R
Convertible Mains—Factory-installed Main Lugs—65 kA Short Circuit Current [39][40][41]								
QOM1 Main Frame Size—Convertible to Main Circuit Breaker—Copper Bus								
125 A	12	12	0	QO112L125GRB	6-2/0		PK9GTA Factory-included	3R
	12	24	12	QO11224L125GRB			PK15GTA Factory-included	3R
	16	24	8	QO11624L125GRB			PK15GTA Factory-included	4R
	24	24	0	QO124L125GRB			PK15GTA Factory-included	4R
Convertible Mains—Factory-installed Main Lugs—65 kA Short Circuit Current [39][40][41]								
QOM2 Main Frame Size—Convertible to Main Circuit Breaker—Copper Bus								
150 A	30	30	0	QO130L150GRB	4-250		PK23GTA, LK100AN Factory-included	6R
200 A	12	12	0	QO112L200GRB	4-250		PK9GTA Factory-included	5R
	30	30	0	QO130L200GRB			PK23GTA, LK100AN Factory-included	6R
	30	40	10	QO13040L200GRB			PK23GTA, LK100AN Factory-included	6R
	40	40	0	QO140L200GRB			PK23GTA, LK100AN Factory-included	7R
	40	60	20	QO14060L200GRB			(2) PK15GTA Factory-included	7R
	42	52	10	QO14252L200GRB			(2) PK15GTA Factory-included	8R
225 A	42	42	0	QO142L225GRB	4-300		PK23GTA, LK100AN Factory-included	8R

Table 1.8: Main Circuit Breaker (Accepts Only QO Plug-On Circuit Breakers.)

Mains Rating	Spaces	Max. Single Pole Circuits [34]	Max. Tandem Circuit Breakers	Load Center Box and Interior	Main Wire Size AWG/kcmil Al or Cu	Equipment Ground Bar Kit (Order Separately)	Box No. [35]	
								Convertible Mains —Factory-installed Main Circuit Breaker, 22 kA Short Circuit Current Rating
Convertible to Main Lugs (see 1Ø3W—120/240 Vac—UL Listed Main Circuit Breaker, page 1-4) or Lower Amperage Main Circuit Breaker (see 1Ø3W—120/240 Vac—UL Listed Main Lugs, page 1-3) [41][42]								
QOM1 Main Circuit Breaker Frame Size—Copper Bus								
100 A	12	12	0	QO112M100RB	6-2/0		PK9GTA	3R
	16	16	0	QO116M100RB			PK12GTA	4R
	20	20	0	QO120M100RB			PK15GTA	4R
125 A	24	24	0	QO124M125RB	6-2/0		PK15GTA	4R
Convertible Mains —Factory-installed Main Circuit Breaker, 22 kA Short Circuit Current Rating Convertible to Main Lugs (see 1Ø3W—120/240 Vac—UL Listed Main Circuit Breaker, page 1-4) or Lower Amperage Main Circuit Breaker (see 1Ø3W—120/240 Vac—UL Listed Main Lugs, page 1-3) [41][42]								
QOM2 Main Circuit Breaker Frame Size—Copper Bus								
150 A	20	30	10	QO12030M150RB	4-250		PK18GTA	5R
	30	30	0	QO130M150RB			PK18GTA	6R
	20	40	20	QO12040M200RB			PK23GTA	5R
	30	30	0	QO130M200RB			PK18GTA	6R
	30	40	10	QO13040M200GRB			PK23GTA	6R
	40	40	0	QO140M200RB			PK23GTA	7R
	40	60	20	QO14060M200RB			PK15GTA	7R
	42	42	0	QO142M200RB			PK23GTA	8R
225 A	42	52	10	QO14252M200RB	4-300		PK15GTA	8R
	42	42	0	QO142M225RB			PK23GTA	8R
Convertible Mains—Factory-installed Main Circuit Breaker, 22 kA Short Circuit Current Rating								
Convertible to Main Lugs (see 1Ø3W—120/240 Vac—UL Listed Main Circuit Breaker, page 1-4) or Lower Amperage Main Circuit Breaker (see 1Ø3W—120/240 Vac—UL Listed Main Lugs, page 1-3) [41][42]								
QOM1 or QOM2 Main Circuit Breaker Frame Size—Copper Bus								
125 A	6	12	6	QO1612M125FTRB [43]	4-2/0		PK12GTA	3R
150 A	8	16	8	QO1816M150FTRB [43]	4-250		PK15GTA-L	6R
200 A	8	16	8	QO1816M200FTRB [43]	4-250		PK15GTA-L	6R

Above listings through 200 A mains rating meet Federal Specification W-P-115c as Type 1, Class 2.

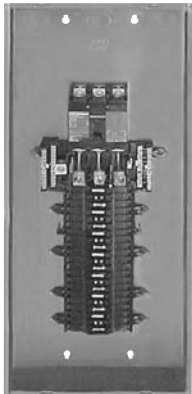
[34] Maximum single pole branch circuits utilizing QO and/or QOT circuit breakers.
 [35] See Table 1.59 Enclosure Dimensions, page 1-26/Indoor Knockout Information and Enclosure Dimensions, page 1-24
 [36] Use 10 AWG maximum size wire for GFI and AFI circuit breakers.
 [37] 70 A Max. branch circuit breaker and 70 A max. back fed main circuit breaker.
 [38] Copper bus.
 [39] UL short circuit current rating depends on lowest interrupting rating of circuit breaker installed.
 [40] UL Listed 5000 A short circuit current rating for corner grounded Delta systems. Use QO-H circuit breakers only.
 [41] Side hinge door device; allow 1-1/4 in. on left side for door to open.
 [42] 22 k AIR main circuit breaker UL Listed for use ahead of QO, QOT, QO-GFI, QO-AFI, QO-EPD and QOPL 10 k AIR branch circuit breakers to permit their application on systems up to 22 kA available fault current.
 [43] QO1612M125FTRB provided with QOM1 frame main circuit breaker. QO1816M150FTRB and QO1816M200FTRB provided with QOM2 frame main circuit breaker.

3Ø4W—208Y/120 Vac, 3Ø4W—240/120 Vac Delta and 3Ø3W—240 Vac Delta—UL Listed

Table 1.9: Main Lugs and Main Breakers (Accepts Only QO Plug-On Circuit Breakers)

Mains Rating	Max. Number of 1P QO circuit breakers	Load Center Box and Interior Cat. No.	Indoor Cover with Door (Order Separately)		Main Wire Size AWG/kcmil		Equipment Ground Bar Kit (Order Separately)	Box No. See Pages 1-17, 1-18
			Flush	Surface	Al	Cu		
Fixed Mains—Factory-installed Main Lugs—Copper Bus—65 kA Short Circuit Current Rating [44]								
60 A	3	QO403L60NF/S	Cover Included With Load Center (No Door)		—	10–6	PK4GTA	13
	12	QO312L125G [45]	QOC16UF	QOC16US	6–2/0	6–2/0	Factory-incl. [46]	6
	20	QO320L125G [45]	QOC24UF	QOC24US			Factory-incl. [46]	7
	24	QO324L125G [45]	QOC24UF	QOC24US	Factory-incl. [46]	7		
125 A	18	QO318L200G [45]	QOC30UF	QOC30US	6–250	6–250	Factory-incl. [47]	9
	30	QO330L200G [45]	QOC30UF	QOC30US			Factory-incl. [47]	9
200 A	42	QO342L225G [45]	QOC42UF	QOC42US	6–300	6–300	Factory-incl. [47]	11
Convertible Mains—Factory-installed QDL Main Circuit Breaker—Copper Bus—25 kA Short Circuit Current Rating [48]								
100 A	27	QO327M100 [49]	QOC30UF	QOC30US	4–2/0	4–2/0	PK15GTA	9
	30	QO330MQ125 [50] [45]	QOC342MQF	QOC342MQS	4–300	4–300	PK18GTA	12
125 A	30	QO330MQ150 [50] [45]	QOC342MQF	QOC342MQS	4–300	4–300	PK18GTA	12
	42	QO342MQ150 [50] [45]	QOC342MQF	QOC342MQS			PK23GTA	12
150 A	30	QO330MQ200 [50] [45]	QOC342MQF	QOC342MQS	4–300	4–300	PK18GTA	12
	42	QO342MQ200 [50] [45]	QOC342MQF	QOC342MQS			PK23GTA	12
200 A	42	QO342MQ225 [50] [45]	QOC342MQF	QOC342MQS	4–300	4–300	PK23GTA	12
Fixed Mains—Factory-installed Main Lugs—Copper Bus—65 kA Short Circuit Current Rating [44] [51]								
60 A	3	QO403L60NRB	Cover Included		—	10–6	PK4GTA	10R
	12	QO312L125GRB			6–2/0	6–2/0	Factory Incl. [46]	3R
	20	QO320L125GRB			6–250	6–250	Factory Incl. [47]	6R
	30	QO330L200GRB			6–300	6–300	Factory Incl. [47]	6R
125 A	18	QO318L200GRB	Cover Included		6–300	6–300	Factory Incl. [47]	8R
	30	QO330L200GRB					Factory Incl. [47]	8R
Convertible Mains—Factory-installed QDL Main Circuit Breaker—Copper Bus—25 kA Short Circuit Current Rating [48] [51]								
100 A	27	QO327M100RB [49]	Cover Included		4–2/0	4–2/0	PK15GTA	6R
	30	QO330MQ125RB [50]			4–300	4–300	PK18GTA	14R
125 A	30	QO330MQ150RB [50]	Cover Included		4–300	4–300	PK18GTA	14R
	42	QO342MQ200RB [50]					PK18GTA	14R
200 A	42	QO342MQ225RB [50]	Cover Included		4–300	4–300	PK23GTA	14R
225 A	42	QO342MQ225RB [50]	Cover Included		4–300	4–300	PK23GTA	14R

Above listings through 200 A mains rating meet Federal Specification W-P-115C as Type 1, Class 2.



QO342MQ200



QO312L125G

Table 1.10: 3Ø, Main Circuit Breakers

Amperage	25 k AIR	65 k AIR	100 k AIR [52]
Field-installed alternate main circuit breakers for QO 3Ø main circuit breaker load centers rated 70–225 A. Do not exceed the load center main rating.			
70 A	QDL32070	QGL32070	QJL32070
80 A	QDL32080	QGL32080	QJL32080
90 A	QDL32090	QGL32090	QJL32090
100 A	QDL32100	QGL32100	QJL32100
110 A	QDL32110	QGL32110	QJL32110
125 A	QDL32125	QGL32125	QJL32125
150 A	QDL32150	QGL32150	QJL32150
175 A	QDL32175	QGL32175	QJL32175
200 A	QDL32200	QGL32200	QJL32200
225 A	QDL32225	QGL32225	QJL32225

Table 1.11: 3Ø, Main Lugs Kits

Main Lugs Amperage Rating	Cat. No.	Lug Wire Size AWG/kcmil
Field-installed main lugs for convertible 3Ø main circuit breaker load centers		
125 A	QOL3125	6–2/0 Cu/Al
225 A	QOL3225	6–300 Cu/Al

[44] UL short circuit current rating depends on lowest interrupting rating of circuit breaker installed.
 [45] For Certification to IEC 60439-1 contact the local Square D sales office; otherwise panels are **NOT** CE marked. (For use on 415Y/240 Vac 3-phase 4-wire, 3,000 Short Circuit Current Rating when QOXD...branch circuit breakers are used and 10,000 Short Circuit Current Rating when QO...VS branch circuit breakers are used).
 [46] PK15GTA.
 [47] PK23GTA and LK100AN.
 [48] 25 kA short circuit current rating SCCR maximum with Square D Type QDL main circuit breaker, or 22 kA SCCR maximum with back-fed Type QO-VH main circuit breaker, feeding QO 10 k AIR branch circuit breakers.
 [49] Includes factory-installed back fed QO3100VH main circuit breaker.
 [50] 65 kA Short Circuit Current Rating maximum with field-installed Square D type QGL 65 k AIR minimum main circuit breaker feeding QO and Q1 10 k AIR minimum branch circuit breakers.
 [51] Side hinge door device allow 1-1/4 in. on left side for door to open.
 [52] When these 3P circuit breakers are used as the main circuit breaker of a 3Ø load center, the maximum AIR rating is 65 kA at 240 Vac and 100 kA at 208 Vac.

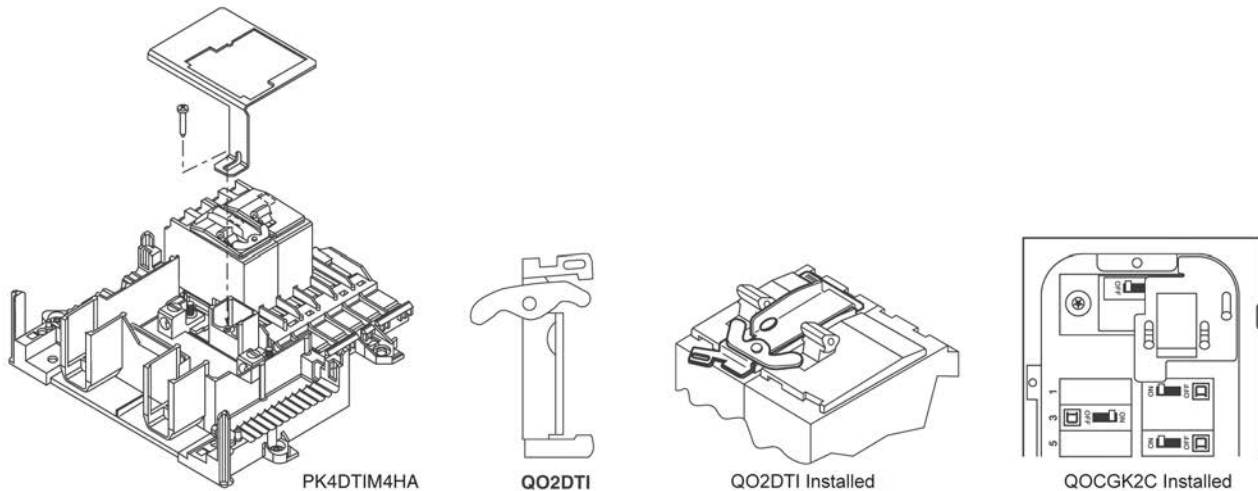
1Ø3W—120/240 Vac—UL Listed Backup Power Solutions

Table 1.12: Backup Power Solutions (Accept Only QO Plug-On Circuit Breakers.)

	Mains Rating (A)	Spac- es	Max. Single Pole Circuits [53]	Max. Tandem Circuit Breakers	Load Center Box, Interior and Cover	Equipment Grounding Bar Kit (Order Separately)	Main Wire Size AWG/kcmil		Box No. [54]
							Al	Cu	
INDOOR RAINPROOF	Generator Panels—Manual Transfer for Sub-Feed Applications NEMA 1 (Indoor)								
	Factory-Installed Main Circuit Breakers with Mechanical Interlock—10 kA Short Circuit Current Rating								
	30	4	8	4	QO48M30DSGP	PK7GTA	14–8	14–8	4
	60	4	8	4	QO48M60DSGP		8–2	8–2	4
Generator Panels—Manual Transfer with Generator Power Inlet Plug for Sub-Feed Applications NEMA 3R (Outdoor)									
Factory-Installed Main Circuit Breakers with Mechanical Interlock—10 kA Short Circuit Current Rating									
100	4	8	4	QO1DM10020TRBR	Factory-Installed	—	8–2	17R	
	4	8	4	QO1DM10030TRBR		—		17R	
	4	8	4	QO1DM10050TRBR		—		17R	
Generator Panel—Automatic Transfer Switch (Contact your local Square D Field Sales office for more information.) [55]									
INDOOR RAINPROOF	Factory- or Field-Installed Main Circuit Breaker—22 kA Short Circuit Current Rating								
	150	38	42	42	QO13842MX150	PK23GTA	4–250	4–250	12
	200	38	42	42	QO13842MX200	PK23GTA	4–250	4–250	12
	225	38	42	42	QO13842MX225	PK23GTA	4–250	4–250	12
		38	42	42	QO13842UX225 [56]		4–250	4–250	12
					QOC38MXUF (Cover)	—			
3R	150	14	28	28	QO11428MX150FTRB [57] [58]	PK23GTA	4–250	4–250	7R
	200	14	28	28	QO11428MX200FTRB [57] [58]	PK23GTA	4–250	4–250	7R
		14	28	28	QO11428UX200FTRB [56] [57] [58]	PK23GTA	4–250	4–250	7R

Table 1.13: QO Load Center Manual Power Transfer Accessories

	Description	Cat. No.	Schedule
Manual Transfer Equipment Kit	For interlocking the handles of two 2P or one 2P and one 1P QO and Q1 circuit breakers mounted side-by-side so that only one circuit breaker can be "ON" at a time.	QO2DTI	DE2E
	QO2DTI mechanical interlock attachment with retaining kits for securing two adjacent back-fed circuit breakers in dual power supply applications. Can be used with (2) 2P or (1) 2P and (1) 1P QO circuit breakers in QO816L100 load centers.	QO2DTIM	DE2E
	Secures two 2P circuit breakers to right side of interior when used as back-fed mains, a QO2DTI Kit included for back-up power supply applications. For 1Ø 100–125 ampere convertible main load centers. Series S01 and S02.	PK4DTIM4LA	DE3A
	Secures two 2P circuit breakers to right side of interior when used as back-fed mains, a QO2DTI Kit included for back-up power supply applications. For 1Ø 150–225 ampere convertible main load centers. Series S01 and S02.	PK4DTIM4HA	DE3A
	Secures two 2P circuit breakers to left side of interior when used as back-fed mains, a QO2DTI Kit included for back-up power supply applications. For 1Ø 100–125 ampere convertible main load centers. Series S01 and S02.	PK4DTIM4LAL	DE3A
Generator Circuit Breaker Interlock Kit	For use on "G" and "S" Series NEMA 1 and "G", "S1" and "S2" Series NEMA 3R load centers. Interlocks a QOM1 2P main circuit breaker of a load center (100–125 A) with a QO 2P (15–125 A) branch circuit breaker. Includes a retaining kit.	QOCRBGK1C	DE3A
	For use on "G" and "S" Series NEMA 1 and "G" and "S1" Series NEMA 3R load centers. Interlocks a QOM2 2P main circuit breaker of a load center (150–225 A) with a QO 2P (15–125 A) branch circuit breaker. Includes a retaining kit.	QOCGK2C	DE3A
	For use on "S2" Series NEMA 3R load centers. Interlocks a QOM2 2P main circuit breaker of a load center (150–225 A) with a QO 2P (15–125 A) branch circuit breaker. Includes a retaining kit.	QORBKGK2C	DE3A



[53] Maximum single pole branch circuits utilizing QO and/or QOT circuit breakers.

[54] See Indoor Knockout Information and Enclosure Dimensions, page 1-24 or Rainproof, Dimensions, Knockouts and Bolt-on Hubs, page 1-26

[55] One main circuit breaker is included with panel. NEMA 1 indoor device requires cover ordered separately. Alternate source main circuit breaker (QO 125 A max.) ordered separately. Automatic Transfer Switch and Generator for secondary power source are ordered through a Kohler authorized dealer or contractor.

[56] Universal mains – No factory-installed main circuit breaker or main lugs. QOM2 frame size, field-install 22 k AIR. Main circuit breaker or main lugs (see Table 1.10 3Ø, Main Circuit Breakers, page 1-7 and Table 1.11 3Ø, Main Lugs Kits, page 1-7.

[57] Supplied with feed-thru lugs.

[58] Device is rated NEMA 3R and can be used for indoor or outdoor applications.

1Ø2W—120Vac—1Ø3W—120/240 Vac—UL Listed

Table 1.14: QO Special Application (Accepts Only QO Plug-On Circuit Breakers.)

	Mains Rating	Short Circuit Current Rating	Spaces	Max. 1P Circuits [59]	Max. Tandem Circuit Breakers	Load Center [60] Box, Interior, and Cover	Equipment Ground Bar Kit (Order Separately)	Main Wire Size AWG/kcmil		Box No. [61]	
								Al	Cu		
INDOOR	Manufactured Housing: 1Ø2W 120 Vac—Main Lugs Only—CSA Certified										
	30 A [62]	10 kA	2	2	0	QO2L30TTS [63]	Factory-installed	12–10	14–10	1	
	50 A	10 kA	2	4	2	QO24L50TTS [64]		—	14–6	2	
	1Ø2W 120 Vac—Main Circuit Breaker—CSA Certified										
	30 A	10 kA	3	5	2	QO35FM30TTF/S	Factory-installed	[65]		3	
	1Ø3W 120/240 Vac—Main Lugs Only—CSA Certified										
	70 A	10 kA	2	4	2	QO24L70TS [64]	Factory Installed	12–3	14–4	2	
	100 A	10 kA	6	12	6	QO612L100TF/S [66]		4–1			4
			6	12	6	QO612L100DTF/S [66]					4
			8	16	8	QO816L100TF/S [66]					4
	8	16	8	QO816L100DTF/S [66]	4						
	Load Center with Cover: 1Ø3W 120/240 Vac—UL Listed Complete QO Load Center—Box, Interior and Combination Cover in One Package										
	Convertible Mains—Factory-Installed Main Lugs [67]—QOM1 Main Frame Size—Convertible to Main Circuit Breaker (See page 1-4)—Copper Bus										
	125 A	65 kA	12	12	0	QO112L125GC	PK12GTA Incl.	6–2/0		6	
			12	24	12	QO11224L125GC	PK15GTA Incl.	6–2/0		6	
			20	20	0	QO120L125GC	PK15GTA Incl.	6–2/0	6–1	6	
	Convertible Mains—Factory-Installed Main Lugs [67]—QOM2 Main Frame Size—Convertible to Main Circuit Breaker (See page 1-4)—Copper Bus										
	150 A	65 kA	30	30	0	QO130L150TC	PK23GTA, LK100AN Installed	6–250		9	
	200 A	65 kA	30	40	10	QO13040L200GC	PK23GTA, LK100AN Incl.	6–250		9	
	Convertible Mains—Factory-Installed Main Circuit Breaker—QOM1 Main Frame Size—Convertible to Main Lugs (See page 1-5) or Lower Amperage Main Circuit Breaker (See page 1-4)—Copper Bus [68]										
	100 A	22 kA	12	12	0	QO112M100C	PK9GTA	4–1/0		5	
			12	20	8	QO11220M100C	PK15GTA	4–1/0		5	
			16	16	0	QO116M100C	PK12GTA	4–1/0		6	
			20	20	0	QO120M100C	PK15GTA	4–1/0		6	
	125 A	22 kA	32	32	0	QO132M125C	PK18GTA	6–2/0		8	
	Convertible Mains—Factory-Installed Main Circuit Breaker—QOM2 Main Frame Size—Convertible to Main Lugs (See page 1-5) or Lower Amperage Main Circuit Breaker (See page 1-4)—Copper Bus [68]										
	150 A	22 kA	20	30	10	QO12030M150C	PK18GTA	4–250		9	
			30	30	0	QO130M150C	PK18GTA	4–250		9	
200 A	22 kA	20	40	20	QO12040M200C	PK23GTA	4–250		9		
		30	30	0	QO130M200C	PK18GTA	4–250		9		
		30	40	10	QO13040M200C	PK23GTA	4–250		9		
		40	40	0	QO140M200C	PK23GTA	4–250		10		

Above listings through 200 A mains rating meet Federal Specification W-P-115c as Type 1, Class 2.

Table 1.15: Service Upgrade Load Centers: 1Ø3W 120/240Vac—UL Listed Load Center with Removable End Walls

INDOOR	Convertible Mains—Factory-Installed Main Breaker—22KA QOM2 Main Frame Size—Convertible to Main Lugs or Lower Amperage Main Circuit Breaker (See page 1-8) [68]										
	Mains Rating	Spaces	Max. 1P Circuits [59]	Max. Tandem Circuit Breakers	Load Center Box and Interior	Extra Long Cover with Door (Order Separately)		Main Wire Size AWG / kcmil		Equipment Ground Bar Kit (Order Separately)	Box No. [61]
						Flush	Surface	Al	Cu		
200 A	30	60	30		HOM3060M200PCEP [69]	HOMC30UFL	—	4-250		PK23GTA	10
		40	40	0	QO140M200EP [70]	QOC40UFL	—			PK23GTA	10

Table 1.16: Auxiliary Gutter

Cat. No.	Cover	Conduit Riser Size	Width	Height	Depth
UL Listed for use with standard 1Ø and 3Ø load centers for riser applications [71]. For auxiliary gutter-load center compatibility, see catalog number 1100CT0501					
SDAG26	Flush	1-3/4, 2, 2-1/2 or [72]3	13.50	26.12	3.75

Table 1.17: Tap Kits 120/240 Vac—UL Listed for use with Auxiliary Gutter SDAG26

Cat. No.	Use with Auxiliary Gutter Cat. No.	Riser Wire		Tap Off Wire	
		Lug Type	Al/Cu Wire Size	Lug Type	Al/Cu Wire Size
SDGT30020	SDAG26	Mechanical (Included)	(2) 6 AWG–300 kcmil	Mechanical (Included)	(1) 6–2/0 AWG
SDGT300300	SDAG26	Mechanical (Included)	(2) 6 AWG–300 kcmil	Mechanical (Included)	(1) 6 AWG–300 kcmil
SDGT300C10C	SDAG26	Anderson VCEL030516H1 (Not included)	(2) 4 AWG–300 kcmil	Anderson VCEL02114S1 (Not included)	(1) 8–1/0 AWG
SDGT300C300C	SDAG26	Anderson VCEL030516H1 (Not included)	(2) 4 AWG–300 kcmil	Anderson VCEL030516H1 (Not included)	(1) 4 AWG–300 kcmil
QOGL20 Grounding Terminals	SDAG26	Mechanical (Included)	(2) 6–2/0 AWG	—	—

[59] Maximum single pole branch circuits utilizing QO and/or QOT circuit breakers.

[60] Order F for flush device or S for surface device.

[61] See Table 1.57 Knockout Information, page 1-24

[62] Mains rating 25 A when Al wire is used.

[63] Will not accept Qwik-Gard™ QO-GFI or QO-AFI circuit breaker.

[64] Use 10 AWG maximum size wire for GFI and AFI circuit breakers.

[65] Main circuit breaker is a field-installed standard QO single pole circuit breaker. Order separately from page 1-2, page 1-10.

[66] 70 A max. branch circuit breaker and 70 A max. back fed main circuit breaker.

[67] UL Listed 5000 A short circuit current rating for corner grounded Delta systems. Use QO-H circuit breakers only.

[68] 22 k AIR main circuit breaker UL Listed for use ahead of QO, QOT and QO-PL 10 k AIR branch circuit breakers to permit their application on systems with up to 22 kA available fault current.

[69] Ships with standard length cover.

[70] Copper Bus, order cover separately QOC40UF/S or QOC40UFL.

[71] One tap kit required for each riser wire.

[72] When used with B300 bolt-on hubs.

QO Plug-On Circuit Breakers

Square D brand QO miniature circuit breakers are plug-on products for use in QO load centers, NQOD and NQ panelboards, NQOD and NQ OEM interiors or Speed-D™ switchboard distribution panels. Bolt-on QOB circuit breakers are for use in NQOD and NQ panelboards or interiors. [1]

The Square D exclusive Qwik-Open™ mechanism, with a trip reaction within 1/60th of a second, is standard on all 1P 15 A and 20 A QO circuit breakers.

Table 1.18: Plug-On Circuit Breakers

Amperes Rating [2]	1P—120/240 Vac	2P—120/240 Vac Common Trip	2P—240 Vac [3] Common Trip	3P—240 Vac Common Trip
10 k AIR				
10 A	QO110	QO210	—	QO310
15 A	QO115 [4] [5]	QO215 [4]	QO215H	QO315 [4]
20 A	QO120 [4] [5]	QO220 [4]	QO220H	QO320 [4]
25 A	QO125 [4]	QO225 [4]	QO225H	QO325 [4]
30 A	QO130 [4]	QO230 [4]	QO230H	QO330 [4]
35 A	QO135 [4]	QO235 [4]	—	QO335 [4]
40 A	QO140 [4]	QO240 [4]	QO240H	QO340 [4]
45 A	QO145 [4]	QO245 [4]	—	QO345 [4]
50 A	QO150 [4]	QO250 [4]	QO250H	QO350 [4]
60 A	QO160 [4]	QO260 [4]	QO260H	QO360 [4]
70 A	QO170 [4]	QO270 [4]	QO270H	QO370 [4]
80 A	—	QO280 [4]	QO280H	QO380 [4]
90 A	—	QO290 [4]	QO290H	QO390 [4]
100 A	—	QO2100 [4]	QO2100H	QO3100 [4]
110 A	—	QO2110 [4]	—	—
125 A	—	QO2125 [4]	—	—
150 A	—	QO2150 [4] [6] [7]	—	—
175 A	—	QO2175 [4] [6] [7]	—	—
200 A	—	QO2200 [4] [6] [7]	—	—
Molded Case Switch 60 A max.—240 Vac		—	QO200	QO300
Molded Case Switch 100 A max.—240 Vac		—	QO2000 [8]	QO3000 [8]
22 k AIR [4]				
15 A	QO115VH [5]	QO215VH [9]	—	QO315VH [9]
20 A	QO120VH [5]	QO220VH [9]	—	QO320VH [9]
25 A	QO125VH	QO225VH [9]	—	QO325VH [9]
30 A	QO130VH	QO230VH [9]	—	QO330VH [9]
40 A	QO140VH	QO240VH [9]	—	QO340VH [9]
50 A	QO150VH	QO250VH [9]	—	QO350VH [9]
60 A	QO160VH	QO260VH [9]	—	QO360VH [9]
70 A	QO170VH	QO270VH [9]	—	QO370VH [9]
80 A	—	QO280VH [9]	—	QO380VH [9]
90 A	—	QO290VH [9]	—	QO390VH [9]
100 A	—	QO2100VH [9] [10]	—	QO3100VH [9]
110 A	—	QO2110VH [9] [10]	—	—
125 A	—	QO2125VH [9] [10]	—	—
150 A	—	QO2150VH [6] [9] [7]	—	—
175 A	—	QO2175VH [6] [9] [7]	—	—
200 A	—	QO2200VH [6] [9] [7]	—	—
42 k AIR [4]				
40 A	—	QOH240 [8]	—	—
45 A	—	QOH245 [8]	—	—
50 A	—	QOH250 [8]	—	—
60 A	—	QOH26 [8]	—	—
70 A	—	QOH270	—	—
80 A	—	QOH280	—	—
90 A	—	QOH290	—	—
100 A	—	QOH2100	—	—
110 A	—	QOH2110 [8]	—	—
125 A	—	QOH2125	—	—
65 k AIR [4]				
15 A	QH115 [5]	QH215	—	QH315 [4]
20 A	QH120 [5]	QH220	—	QH320
25 A	QH125 [8]	QH225 [8]	—	QH325 [8]
30 A	QH130	QH230	—	QH330

Refer to page 7-2 for Interrupting Ratings, Accessories, and Dimensions.



QO 1P
1 Space Required



QO 2P
2 Spaces Required



QO 3P
3 Spaces Required



QO2200 2P 200 A
4 Spaces Required

[1] See Digest Section 1 for load centers, and Section 9 for panelboards and interiors.
 [2] 10–30 A circuit breakers are suitable for use with 60°C or 75°C conductors. 35–125 A circuit breakers are suitable for use with 75°C conductors.
 [3] UL Listed 5 k AIR on corner grounded Delta systems.
 [4] UL Listed as HACR type for use with air conditioning, heating and refrigeration equipment having motor group combinations and marked for use with HACR type circuit breakers.
 [5] UL Listed as SWD (switching duty) rated. Suitable for switching 120 Vac fluorescent lighting loads.
 [6] Requires four spaces (1 AWG–300 kcmil Al/Cu.) Suitable for switching 120 Vac fluorescent lighting loads.
 [7] Not suitable for use in 3Ø panels. Use only in 1Ø panel rated 150 A or greater.
 [8] Order only. Contact your local Field Office.
 [9] UL Listed for use ahead of QO, QO-GFI, QO-EPD, QOT, QO-AFI, and QO-PL 10 k AIR circuit breakers to permit their application at 22 kA fault level.
 [10] 100 A maximum branch mounted opposite.

QO/QOB Ring Terminal

Table 1.19: QO/QOB Ring Terminal—Factory-installed only

Ampere Rating	Poles	Suffix
10–30 A	1, 2, 3	5237
35–60 A	1, 2	5238
35–50 A	3	
70–110 A	2	
60–100 A	3	5273

Wire Sizes for QO/QOB Circuit Breakers

Table 1.20: Wire Sizes

Circuit Breaker Type	Ampere Rating [11]	Wire Size (AWG/kcmil)
QO 1P	10–30 A	14–8 Al/Cu
	10–30 A	(2) 14–10 Cu
	35–70 A	8–2 Al/Cu
QO 2P	10–30 A	14–8 Al/Cu
	10–30 A	(2) 14–10 Cu
	35–70 A	8–2 Al/Cu
	80–125 A	4–2/0 Al/Cu
	150–200 A	4–300 Al/Cu
QO 3P	10–30 A	14–8 Al/Cu, (2) 14–10 Cu
	35–70 A	8–2 Al/Cu
	80–125 A	4–2/0 Al/Cu
QOB-VH	110–150 A	4–300 Al/Cu
QOT	15–20 A	12–8 Al 14–8 Cu
QO-AFI, QO-GFI or QO-EPD	15–30 A	12–8 Al 14–8 Cu
	40, 50, 60 A	12–4 Al 14–6 Cu
QO-PL	10–60 A	12–2 Al 14–2 Cu

QOT Tandem Circuit Breakers

Circuit limiting QOT tandem circuit breakers have a mounting cam as shown. Installation into a QO load center can only be made in those positions having a mounting pan rail slot. Meets Paragraph 408.54 of the NEC®. UL Listed as Class CTL



QOT 1P Tandem
1 Space Required

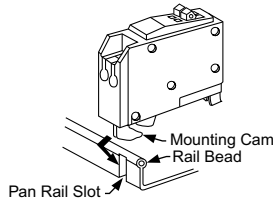


Table 1.21: QOT Tandem Circuit Breakers

Ampere Rating [12]	Cat. No. [13]
1P—120/240 Vac	
15 A and 15 A	QOT1515
15 A and 20 A	QOT1520
20 A and 20 A	QOT2020

2P—120/240 Vac Common Trip
Order two QOT1515 or QOT2020 circuit breakers and handle tie QOTHT for common switching of center two poles.

Replacement Tandem Circuit Breakers Includes two circuit breakers (one QO2030 and one QO3020) and handle tie QOTHT.

Table 1.22: Replacement Tandem Circuit Breakers

Ampere Rating [12]	Cat. No. [13]
1P—120/240 Vac—1 Space Required	
15 A and 15 A	QO1515
15 A and 20 A	QO1520
20 A and 20 A	QO2020
20 A and 30 A	QO2030
30 A and 20 A	QO3020
Two 1P Individual Trip—120/240 Vac—2 Spaces Required	
15 A and 15 A	Order Two QO1515 or QO2020 circuit breakers and handle tie QOTHT
15 A and 20 A	
20 A and 20 A	—
20 A and 30 A	QO20303020 [14]
30 A and 20 A	—

[11] 10–30 A circuit breakers are suitable for use with 60°C or 75°C conductors. 35–125 A circuit breakers are suitable for use with 75°C conductors.
 [12] 10–30 A circuit breakers are suitable for use with 60°C or 75°C conductors. 35–125 A circuit breakers are suitable for use with 75°C conductors.
 [13] UL Listed as HACR type for use with air conditioning, heating and refrigeration equipment having motor group combinations and marked for use with HACR type circuit breakers.
 [14] Includes two circuit breakers (one QO2030 and one QO3020) and handle tie QOTHT.



QO Plug-on Neutral Load Center with Qwik-Grip

QO Plug-On Neutral Load Centers with Qwik-Grip

Qwik-Grip simplifies rough-in by eliminating the need for most knockout removals and eliminates the use of most box connectors. With a quick bend of the NM-B wire using the wire bend guide on the Qwik-Grip.

Table 1.23: QO Plug-on Neutral Load Centers with Qwik-Grip

	Mains Rating	Spaces	Max. Single Pole Circuits	Max. Tandem Circuit Breakers	Load Center Box and Interior	Indoor Cover with Door (Order Separately)		Main Wire Size AWG/kcmil		Equipment Ground Bar Kit	Box No.
						Flush	Surface	Al	Cu		
INDOOR	125 A	24	24	0	QO124L125PQG	QOC24UF	QOC24US	6-2/0		PK15GTAL	7Q
		30	30	0	QO130L125PQG	QOC30U125C	QOC30U125C			PK23GTAL	9Q
	200 A	30	30	0	QO130L200PQG	QOC30UF	QOC30US	6-300		PK23GTAL	9Q
		42	42	0	QO142L225PQG	QOC42UF	QOC42US			PK15GTAL and PK15GTA included	9Q
200 A	Convertible Mains—Factory-Installed Main Circuit Breaker, 22 kA Short Circuit Current Rating—Copper Bus, QOM2 Main Frame Size, Convertible to Main Lugs or Main Circuit Breaker										
	30	30	0	QO130M200PQ	QOC30UF	QOC30US	4-250		PK23GTA (Order separately)	11Q	
42	42	0	QO142M200PQ	QOC42UF	QOC42US	PK23GTA (Order separately)			11Q		

QO Arc-Fault Circuit Breaker

QO arc-fault circuit breakers provide protection for Series and Parallel Type Arcing as required by the NEC and local code adoption, and comply with UL 1699.



1P QO-CAFI Plug-On Neutral



1P QO-CAFI Pigtail

Table 1.24: QO Arc Fault Circuit Breakers (One-Pole)

Circuit Breaker Type [15]	Ampere Rating	One-Pole 120 Vac		Two-Pole 120/240 Vac	
		10 k AIR 1 Space Required	22 k AIR 1 Space Required	10 k AIR 2 Space Required	22 k AIR 2 Space Required
Combination Arc-fault Interrupter (Pigtail Neutral)	15 20	QO115CAFI QO120CAFI	QO115VHCAFI QO120VHCAFI	QO215CAFI [16] QO220CAFI [16]	QO215VHCAFI [16] QO220VHCAFI [16]
Plug-On Neutral Combination Arc-fault Interrupter	15 20	QO115PCAFI QO120PCAFI	QO115VHPCAFI QO120VHPCAFI		

QO-Dual Function Circuit Breaker

QO Combination Arc Fault and Ground Fault Circuit Interrupters (Dual Function) provide overload and short circuit protection, plus arc fault and ground fault protection in accordance with the NEC, UL 1699 and UL 943.



1P QO-DF Plug-on Neutral



1P QO-DF Pigtail

Table 1.25: QO-Dual Function Arc Fault Circuit Breakers

Circuit Breaker Type [17]	Ampere Rating	1P 120 Vac 10 k AIR 1 Space Required	1P 120 Vac 22 k AIR 1 Space Required
Combination Arc-fault and Ground Fault Circuit Interrupter (Pigtail Neutral)	15 20	QO115DF QO120DF	QO115VHDF QO120VHDF
Plug-On Neutral Combination Arc-fault and Ground Fault Circuit Interrupter	15 20	QO115PDF QO120PDF	QO115VHPDF QO120VHPDF

[15] UL Listed as HACR type for use with air conditioning, heating and refrigeration equipment haing motor group combinations and marked for use with HACR type circuit breakers.

[16] For 120/240 V only, not for 208Y/120 V.

[17] UL Listed as HACR type for use with air conditioning, heating and refrigeration equipment haing motor group combinations and marked for use with HACR type circuit breakers.



QO-GFI

Qwik-Gard™ circuit breakers provide overload and short circuit protection, combined with Class A ground fault protection. Class A denotes a ground fault circuit interrupter that will trip when a fault current to ground is 6 mA or more, for people protection. Do not connect to more than 250 feet of load conductor for the total one-way run to prevent nuisance tripping.

Table 1.26: QO-GFI Circuit Breakers

Ampere Rating [18]	Qwik-Gard Circuit Breakers With Ground Fault Circuit Interrupter			
	1P 120 Vac		2P Common Trip 120/240 Vac	3P Common Trip 208Y/120 Vac
	10 k AIR 1 Space Required	22 k AIR 1 Space Required	10 k AIR 2 Spaces Required	10 k AIR 3 Spaces Required
15	QO115GFI	QO115VHGFI	QO215GFI	QO315GFI
20	QO120GFI	QO120VHGFI	QO220GFI	QO320GFI
25	QO125GFI	QO125VHGFI	QO225GFI	—
30	QO130GFI	QO130VHGFI	QO230GFI	QO330GFI
40	—	—	QO240GFI	QO340GFI
50	—	—	QO250GFI	QO350GFI
60	—	—	QO260GFI [19]	—

QO-EPD/EPE

QO-EPD/EPE circuit breakers provide overload and short circuit protection combined with Class B ground fault protection. They are designed to provide ground fault protection of equipment at a 30 mA level (EPD) or 100 mA level (EPE). They are not designed to protect people from electrical shock.



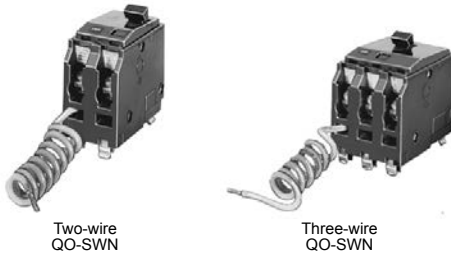
QO 1P
With Shunt Trip

Table 1.27: QO-EPD Circuit Breakers

Ampere Rating [20]	1P 120 Vac 10 k AIR	2P Common Trip 120/240 Vac 10 k AIR	3P Common Trip 240 Vac 10 k AIR	
	1 Space Required	2 Spaces Required	3 Spaces Required	
15	QO115EPD	QO215EPD	QO315EPD [21]	QO315EPE [21]
20	QO120EPD	QO220EPD	QO320EPD [21]	QO320EPE [21]
25	QO125EPD	QO225EPD	—	—
30	QO130EPD	QO230EPD	QO330EPD [21]	QO330EPE [21]
40	—	QO240EPD	QO340EPD [21]	QO340EPE [21]
50	—	QO250EPD	QO350EPD [21]	QO350EPE [21]
60	—	QO260EPD [22]	—	—

QO-SWN

Switch Neutral Common Trip 2008 NEC® 514.11



Two-wire
QO-SWN

Three-wire
QO-SWN

Table 1.28: QO-SWN Circuit Breakers

Ampere Rating [23]	2 Wire 120 Vac 10 k AIR	3 Wire 120/240 Vac 10 k AIR
	2 Spaces Required	3 Spaces Required
10	QO210SWN	QO310SWN
15	QO215SWN	QO315SWN
20	QO220SWN	QO320SWN
25	QO225SWN	QO325SWN
30	QO230SWN	QO330SWN
40	QO240SWN	QO340SWN
50	QO250SWN	QO350SWN

QO-HID

HID circuit breakers are for use on circuits feeding fluorescent and high intensity discharge (HID) lighting systems such as mercury vapor, metal halide, or high pressure sodium. These circuit breakers are physically interchangeable with QO circuit breakers.

Table 1.29: QO-HID Circuit Breakers

Ampere Rating [23]	1P 120/240 Vac 10 k AIR	2P Common Trip 120/240 Vac 10 k AIR	3P Common Trip 240 Vac 10 k AIR
	1 Space Required	2 Spaces Required	3 Spaces Required
15	QO115HID [24]	QO215HID	QO315HID
20	—	QO220HID	QO320HID
25	QO125HID	QO225HID	QO325HID
30	QO130HID	QO230HID	QO330HID
40	QO140HID	QO240HID	—
50	QO150HID	QO250HID	—

[18] 10–30 A circuit breakers are suitable for use with 60°C or 75°C conductors. 35–60 A circuit breakers are suitable for use with 75°C conductors.
 [19] Suitable only for feeding 240 Vac and 208 Vac two-wire loads. Does not contain load neutral connection.
 [20] 10–30 A circuit breakers are suitable for use with 60°C or 75°C conductors. 35–60 A circuit breakers are suitable for use with 75°C conductors.
 [21] See note in Instruction Bulletin when using in an enclosure with a QO403 or QON prefix.
 [22] Suitable only for feeding 240 Vac and 208 Vac two-wire loads. Does not contain load neutral connection.
 [23] 10–30 A circuit breakers are suitable for use with 60°C or 75°C conductors. 35–60 A circuit breakers are suitable for use with 75°C conductors.
 [24] UL Listed as SWD (switching duty) rated. Suitable for switching 120 Vac fluorescent lighting loads.



QO-K Key Operated

QO-K

Key operated QO circuit breakers are available in single-pole construction and can be mounted in any single-pole space which will accept a standard QO. These circuit breakers can be turned ON or OFF or to RESET with a special key (catalog number QOK10) included with the circuit breaker. These circuit breakers are UL Listed and available as shown in the table.

Table 1.30: QO-K Circuit Breakers

120 Vac—10 k AIR (1 Space Required)			
Ampere Rating [25]	Cat. No.	Ampere Rating [25]	Cat. No.
10	QO110K	25	QO125K
15	QO115K	30	QO130K
20	QO120K		

QO-HM

High magnetic trip circuit breakers are recommended for applications where high initial inrush may occur and for individual dimmer applications.

Table 1.31: QO-HM Circuit Breakers

120 Vac—10 k AIR	
Ampere Rating [25]	1P
15 A	QO115HM [26] [27]
20 A	QO120HM [26] [27]

Non-Automatic (Standard) Miniature Switches

Miniature non-automatic switches have the same physical packaging as miniature circuit breakers, but open only when the handle is switched to the OFF position.

Non-automatic switches provide no overcurrent protection or short circuit protection. They must not be used on systems that have an available fault current greater than the values listed in the table. Non-automatic switches are UL Listed per UL 1087 and are CSA certified.

Table 1.32: QO Non-Automatic Miniature Switches, 240 Vac 10 kA

Ampere Rating	2P	3P
60	QO200	QO300
100	QO2000	QO3000

[25] 10–30 A circuit breakers are suitable for use with 60°C or 75°C conductors. 35–60 A circuit breakers are suitable for use with 75°C conductors.

[26] UL Listed as HACR type for use with air conditioning, heating and refrigeration equipment having motor group combinations and marked for use with HACR type circuit breakers.

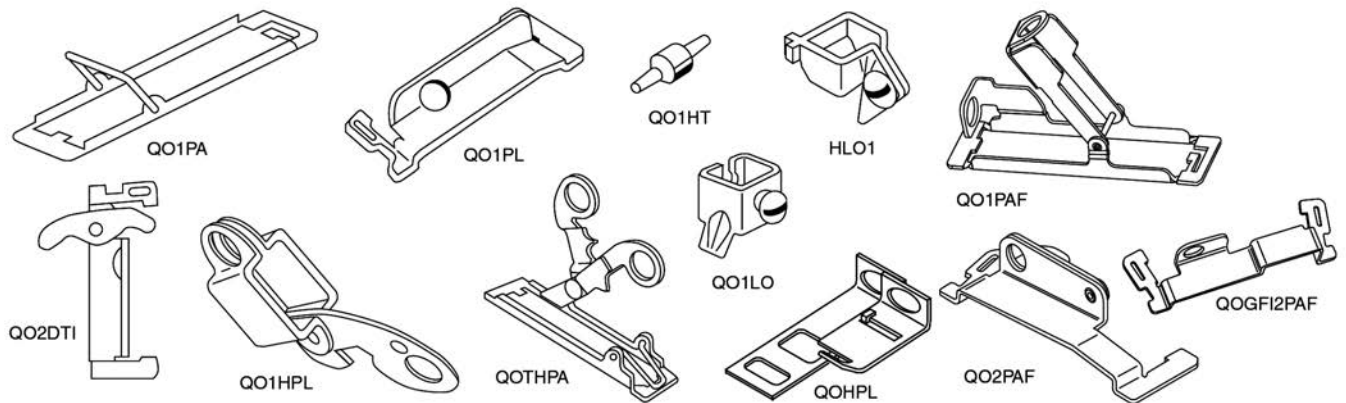
[27] UL Listed as SWD (switching duty) rated. Suitable for switching 120 Vac fluorescent lighting loads.

Accessories for QO/QOB Circuit Breakers

Table 1.33: Accessories for use with QO and QOB Miniature Circuit Breakers

Description		Cat. No.	Schedule
Handle Attachments			
Handle Tie	Converts any two adjacent 120/240 Vac 1P QO circuit breakers to independent trip 2P Converts any two adjacent 120/240 Vac 1P side-by-side QOT circuit breakers to independent trip 2P	QO1HT QO1HT	DE2E DE2E
Handle Clamp	Clamp for holding QO 1P handle in ON or OFF position Clamp for holding QO or Q1 either 1P, 2P or 3P circuit breaker handles in ON or OFF position	QO1LO HLO1	DE2E DE2E
Handle Padlock Attachment for Padlocking in ON or OFF position	For padlocking 1P QO circuit breaker in ON or OFF position Loose attachment Fixed attachment	QO1HPL QO1PA	DE2E DE2E
	For padlocking 1P side-by-side QOT circuit breaker in ON or OFF position	QO1HPA	DE2E
	For padlocking 2P QO-GFI circuit breakers in either ON or OFF position, fixed attachment.	GFI2PA	DE2A
	For 2P and 3P QO and Q1 standard circuit breakers which require padlocking in either ON or OFF position. Loose attachment Fixed attachment	QO1HPL QO1PL	DE2E DE2E
Handle Padlock Attachment for Padlocking in OFF position	For padlocking 1P QO circuit breaker in OFF position only, fixed attachment.	QO1PAF	DE2E
	For padlocking 2P and 3P QO circuit breakers in OFF position only, fixed attachment.	QO2PAF	DE2E
	For padlocking 1P QO-GFI, QO-CAFI, QO-DF and QO-EPD circuit breakers in OFF position only, fixed attachment.	QOGFI1PAF	DE2E
	For padlocking 2P QO-GFI, QO-CAFI and QO-EPD circuit breakers in OFF position only, fixed attachment.	QOGFI2PAF	DE2E
Ring Terminal	Ring terminals are available as a factory-installed option.	See page 7–10	DE2A
Sub-feed Lugs	60 A 2P plug-on – 2 spaces required (6–2 Al/Cu) 125 A 2P plug-on – 2 spaces required (12–2/0 Al/Cu) 225 A 2P plug-on – 4 spaces required (4–300 Al/Cu) 125 A 3P plug-on – 3 spaces required (12–2/0 Al/Cu)	QO60SL QO2125SL QO225SL [28] QO3125SL	DE2A DE2A DE2A DE3
Mechanical Interlock Attachment	For interlocking the handles of two 2P or one 2P and one 1P QO and Q1 circuit breakers mounted side-by-side so that only one circuit breaker can be ON at a time (Not QOU)	QO2DTI	DE2E
With Retaining Kit	QO2DTI mechanical interlock attachment with retaining kits for securing two adjacent back-fed circuit breakers in dual power supply applications. Can be used with (2) 2Ps or (1) 2P and (1) 1P QO circuit breakers in QO816L100 load centers.	QO2DTIM	DE2E

LOAD CENTERS 1



Factory-Installed Accessories for use with QO and QOB Miniature Circuit Breakers

Factory-installed electrical accessories take up an additional pole space on QO, QO-GFI, QO-EPD, QO-SWN and QOU circuit breakers. All AC electrical accessories shown below are rated for 50/60 Hz. Accessories are not available for QOB-VH (2P 150 A and 3P 110–150 A) circuit breakers or QO, QOU molded case switches. QO circuit breakers will accept only one accessory per circuit breaker. Undervoltage trip is not available on miniature circuit breakers. Factory-installed accessories are not available for QO-AFI or QO-CAFI Arc Fault Circuit Breakers or on QO2150, QO2175, or QO2200 circuit breakers.

Table 1.34: Factory-Installed Accessories

Accessory	Description	Rated Voltage	Coil Burden	Cat. No. Suffix	Accessory	Description	Contact Comb.	Max. Voltage	Max.	Cat. No. Suffix
Shunt Trip	Trips the circuit breaker from a remote location by means of a trip coil energized from a separate circuit. A 120 Vac shunt trip will operate at 55% or more of rated voltage. All other shunt trips will operate at 75% or more of rated voltage. Application <ul style="list-style-type: none"> For use with momentary or maintained push button. Not available on QO-GFI, QO-EPD. Shunt trip terminals accept (2) 0.14–0.12 AWG Cu. 	12 Vac/Vdc 24 Vac/Vdc	60 VA 168 VA	-1042	Auxiliary Switches	Monitors circuit breaker contact status and provides a remote signal indicating the circuit breaker contacts are OPEN or CLOSED. Application <ul style="list-style-type: none"> Auxiliary switch terminals accept (2) 14–12 AWG Cu leads. Leads (EH): Yellow for "A", Blue for "B", Striped common 18 AWG Cu. 	1A 1B	120 Vac 120 Vac	5 A 5 A	-1200 -1201
		120 Vac 208 Vac 240 Vax	72 VA 228 VA 288 VA	-1021	Alarm Switches	Used with control circuits and is actuated only when the circuit breaker has tripped. Standard construction includes a normally-open contact. Application <ul style="list-style-type: none"> Leads: Alarm switch terminals accept (2) 14–12 AWG Cu leads. 	1A	120 Vac	5 A	-2100

[28] Not suitable for use in 3Ø panels. Use only in 1Ø panel rated 150 A or greater.

QO and Homeline Plug-On Neutral Load Centers with Qwik-Grip

Qwik grip simplifies rough-in by eliminating the need for most knockout removals and eliminates the use of most box connectors. With a quick bend of the NM-B wire using the wire bend guide on the Qwik-Grip insert, the wire easily slides into the slot. Solution is UL listed.

Table 1.35: Value Packs Contains Complete Load Center (Box, Interior and Cover) with Selected Branch Circuit Breakers

Main Ratings	Spaces	Max. 1P Circuits	Max. Tandem Circuit Breakers	Load Center Box, Interior, Cover and Branch Circuit Breakers		Equipment Ground Bar Kit (Order Separately)	Main Wire Size AWG/kcmil Al/Cu		Box No. [1]
				Cat. No.	Included Load Center/Circuit Breakers		Cat. No.		
QO Convertible Mains—Factory-Installed Main Lugs, up to 65 kA Short Circuit Current Rating—Copper Bus, QOM1 Main Frame Size, Convertible to Main Circuit breaker									
125 A	24	24	0	QO124L125PQGCVP	(1) QO124L125PQGC, (3) QO120, (2) QO230 and (1) PKQGA Qwik-Grip assembly kit	PK15GTAL Included	6-2/0		7Q
QO Convertible Mains—Factory-Installed Main Circuit Breaker, 22 kA Short Circuit Current Rating—Copper Bus, QOM2 Main Frame Size, Convertible to Main Lugs or Main Circuit breaker									
200 A	42	42	0	QO142M200PQCV	(1) QO142M200PQC, (3) QO120, (2) QO230 and (1) PKQGA Qwik-Grip assembly kit	PK23GTA (Order separately)	4-250		11Q
Homeline Convertible Mains—Factory-Installed Main Circuit breaker, 22kA Short Circuit Current Rating—Copper Bus, QOM1 Main Frame Size, Convertible to Main Lugs or Main Circuit Breaker									
100 A	20	40	20	HOM2040M100PQCV	(1) HOM2040M100PQC, (2) HOM120, (1) HOM230 and (1) PKQGA Qwik-Grip assembly kit	PK18GTA (Order separately)	6-2/0	6-1	6
200 A	30	60	30	HOM3060M200PQCV	(1) HOM3060M200PQC, (3) HOM120, (2) HOM230 and (1) PKQGA Qwik-Grip assembly kit	PK23GTA (Order separately)	4-250		10Q
	40	80	40	HOM4080M200PQCV	(1) HOM2040M100PQC, (2) HOM120, (1) HOM230 and (1) PKQGA Qwik-Grip assembly kit	PK27GTA (Order separately)	4-250		12Q

1Ø3W—120/240 Vac—UL Listed

Table 1.36: Value Packs Contains Complete Load Center (Box, Interior and Cover) with Selected Branch Circuit Breakers

Mains Rating	Spaces	Max. 1P Circuits [2]	Max. Tandem Circuit Breakers	Load Center Box, Interior, Cover and Branch Circuit Breakers		Equipment Ground Bar Kit (Order Separately)	Main Wire Size AWG/kcmil Al/Cu		Box No. [3]
				Cat. No.	Included Load Center/Circuit Breakers		Cat. No.		
QO (Accepts Only QO Plug-On Circuit Breakers) QO—Copper Bus Convertible Mains—Factory-Installed Main Circuit Breaker, 22 kA Short Circuit Current Rating Convertible appropriate to Main Lugs (See 1Ø, Field-Installed Main Lugs Kits, page 1-5) or QOM Main Circuit Breaker (See 1Ø, Field-Installed Main Circuit Breaker Kits, page 1-4)									
125 A	24	24	0	QO124L125PGCVP	(1) QO124L125PGC, (3) QO120, (2) QO230	PK15GTA	6-2/0		7
225 A	42	42	0	QO142L225PGCVP	(1) QO142L225PGC, (3) QO120, (2) QO230	(2) PK15GTA	6-300		12
Convertible Mains—Factory-Installed Main Circuit Breaker, 22 kA Short Circuit Current Rating Convertible appropriate to Main Lugs or Main Circuit Breaker (See 1Ø3W—120/240 Vac—UL Listed, page 1-20)									
125 A	24	24	0	QO124M100PCVP	(1) QO124M100PC, (3) QO120, (2) QO230	PK15GTA	6-2/0		7
	32	32	0	QO32M100VP	(1) QO132M100C, (3) QO120, (2) QO230	PK18GTA	4-2/0		8
	30	40	10	QO3040M200VP	(1) QO13040M200C, (3) QO120, (2) QO230	PK23GTA	4-250		9
	42	42	0	QO142M200PCVP	(1) QO142M200PC, (3) QO120, (2) QO230	PK23GTA	4-250		11
200 A	42	42	0	QO142M200PCAFVP	(1) QO142M200PC, (3) QO120, (2) QO230, (3) QO115PCAFI	PK23GTA	4-250		11
	42	42	0	QO142M200PCAFVP	(1) QO142M200PC, (3) QO120, (2) QO230, (3) QO115PCAFI	PK23GTA	4-250		11
Homeline (Accepts Only HOM Plug-On Circuit Breakers) Convertible Mains—Factory-Installed Main Lugs, 10 kA Short Circuit Current Rating Convertible to appropriate QOM 22 kA Short Circuit Current Rating Main Circuit Breaker (See 1Ø3W—120/240 Vac—UL Listed, page 1-20)									
125 A	12	24	12	HOM1224L125PGCVP	(1) HOM1224L125PGC, (2) HOM120	PK15GTAL	6-2/0	6-1	6
225 A	30	60	30	HOM3060L225PGCVP	(1) HOM3060L225PGC, (3) HOM120, (2) HOM230	PK15GTAL PK15GTA	4-300	4-250	10
Convertible Mains—Factory-Installed Main Circuit Breaker, 22 kA Short Circuit Current Rating Convertible appropriate to Main Lugs or Main Circuit Breaker (See 1Ø3W—120/240 Vac—UL Listed, page 1-20)									
100 A	20	40	20	HOM2040M100PCVP	(1) HOM2040M100PC, (2) HOM120, (1) HOM230	PK18GTA	6-1	6-3	7
	20	40	20	HOM2040M100PC1AVP	(1) HOM2040M100PC, (2) HOM120, (1) HOM230, (1) HOM115PCAFI	PK18GTA	6-1	6-3	7
	24	48	24	HOM2448M100PCVP	(1) HOM2448M100PC, (3) HOM120, (2) HOM230	PK23GTA	6-2/0	6-1/0	8
150 A	30	30	30	HOM3060M150PCVP	(1) HOM3060M150PC, (3) HOM120, (2) HOM230	PK23GTA	4-250		
	20	40	20	HOM2040M200PCVP	(1) HOM2040M200PC, (3) HOM120, (2) HOM230	PK18GTA	4-250		9
200 A	30	60	30	HOM3060M200PCVP	(1) HOM3060M200PC, (3) HOM120, (2) HOM230	PK23GTA	4-250		10
	30	60	30	HOM3060M200PC1AVP	(1) HOM3060M200PC, (3) HOM120, (2) HOM230, (1) HOM115PCAFI	PK23GTA	4-250		10
	30	60	30	HOM3060M200PCAFVP	(1) HOM3060M200PC, (3) HOM120, (2) HOM230, (3) HOM115PCAFI	PK23GTA	4-250		10
	40	80	40	HOM4080M200PCVP	(1) HOM4080M200PC, (3) HOM120, (2) HOM230, (3) HOM115PCAFI	PK27GTA	4-250		10
	40	80	40	HOM4080M200PC1AVP	(1) HOM4080M200PC, (3) HOM120, (2) HOM230, (1) HOM115PCAFI	PK27GTA	4-250		12
	40	80	40	HOM4080M200PCAFVP	(1) HOM4080M200PC, (3) HOM120, (2) HOM230, (3) HOM115PCAFI	PK27GTA	4-250		12
	40	80	40	HOM4080M200PCAFVP	(1) HOM4080M200PC, (3) HOM120, (2) HOM230, (3) HOM115PCAFI	PK27GTA	4-250		12
	40	80	40	HOM4080M200PCAFVP	(1) HOM4080M200PC, (3) HOM120, (2) HOM230, (3) HOM115PCAFI	PK27GTA	4-250		12
Homeline (Accepts Only HOM Plug-On Circuit Breakers) Convertible Mains—Factory-Installed Main Circuit Breaker, 22 kA Short Circuit Current Rating Convertible to Main Lugs or Lower Amperage QOM2 Main Circuit Breaker (See 1Ø3W—120/240 Vac—UL Listed, page 1-20)									
125 A	12	24	12	HOM1224M125PRBVP	(1) HOM1224M125PRB, (3) HOM120, (2) HOM230	PK23GTA	6-2/0	6-1	3R
200 A	30	60	30	HOM3060M200PRBVP	(1) HOM3060M200PRB, (3) HOM120, (2) HOM230	PK23GTA	4-250		7R

[1] See Indoor knockout information and Enclosure Dimensions for Qwik Grip Loadcenters, page 1-24
 [2] Maximum single pole branch circuits utilizing QO and/or QOT circuit breakers.
 [3] See Indoor, Dimensions and Knockouts, page 1-24 or Rainproof, Dimensions, Knockouts and Bolt-on Hubs, page 1-26

QO Riser Panels

Table 1.37: Offset Interior for Wide Gutter—30 A Maximum Branch Circuit Breaker on left side of interior [4] [5] (Accepts Only QO Plug-On Circuit Breakers)

	Mains Rating	Spaces	Max. Single Pole Circuits [6]	Max. Tandem Circuit Breakers	Load Center Box and Interior	Load Center Cover	Equipment Ground Bar Kit (Order Separately)	Main Wire Size AWG/kcmil		Box No. [7]	
								Al	Cu		
INDOOR	Convertible Mains—Factory-Installed Main Lugs, 65 kA Short Circuit Current Rating Convertible to QOM1 22 kA Short Circuit Current Rating Main Circuit Breaker (See Indoor, 10, Main Lugs, page 1-3) when used with QOC cover below—Copper Bus										
	125 A	12	24	12	QO11224L125WG	QOC20UFWG	PK15GTA	6-2/0		14	
		20	30	10	QO12030L125WG	QOC20UFWG	PK15GTA			14	
	Convertible Mains—Factory-Installed Main Lugs, 65 kA Short Circuit Current Rating Convertible to QOM2 22 kA Short Circuit Current Rating Main Circuit Breaker (See Indoor, 10, Main Lugs, page 1-3) when used with QOC cover below—Copper Bus										
	200 A	30	40	10	QO13040L200WG	QOC30UFWG	PK23GTA	4-250		23	
		Convertible Mains—Factory-Installed Main Circuit Breaker, 22 kA Short Circuit Current Rating Convertible to Main Lugs (See Indoor, 10, Main Circuit Breaker, page 1-4) or Lower Amperage QOM2 Main Circuit Breaker (See Indoor, 10, Main Lugs, page 1-3) when used with QOC cover below—Copper Bus									
200 A	24	24	0	QO124M200WG125 [8]	QOC30UFWG	PK23GTA	4-250		23		

Above listings through 200 A mains rating meet Federal Specification W-P-115c as Type 1, Class 2.

Panelboard-style Covers for Riser Panels

Mono-Flat™ Front available for riser panels as an alternative to standard load center cover listed above. Provides a low-profile, aesthetically pleasing solution for high-traffic areas in upscale multi-family applications. Deadfront included. Lock kit not provided. Cover NQC30FWG CANNOT be used when panel has been converted to a main circuit breaker panel. [9]

Mains Rating of Load Center	Cat. No.
125 A	NQC20FWG
200 A	NQC30FWG

QO Load Center Accessories

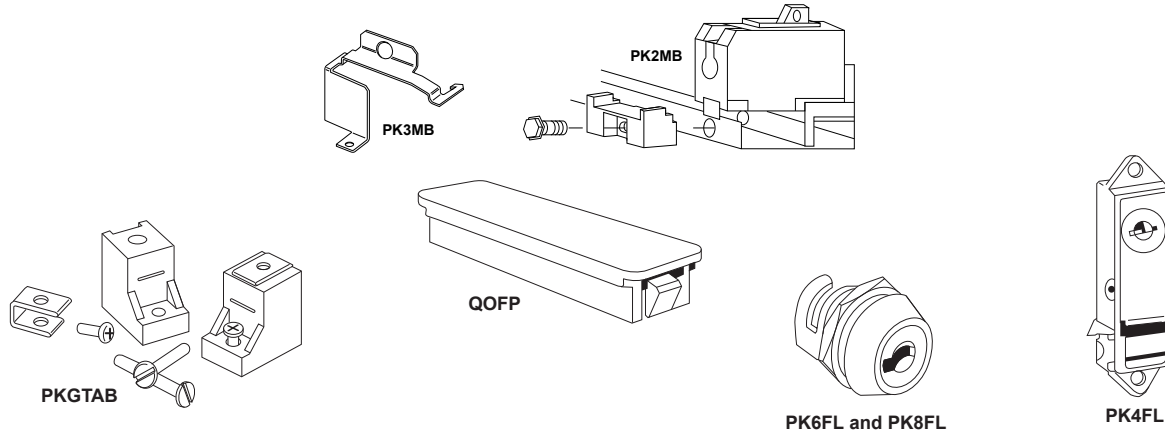
Table 1.38: QO Load Center Accessories

	Description	Cat. No.	Schedule
Retaining Kit for Breakers Used as Back-fed Mains	Secures circuit breaker to interior when used as a back-fed main. For QO612L100F/S, RB, QO612L100DF/S, QO816L100F/S, RB, QO816L100DF/S and QO148L125GF/S, GRB load centers	PK2MB	DE3A
	Secures 3P circuit breaker without accessories to left side of interior when used as a back-fed main. For 3Ø load centers	PK3MB	DE3A
	Secures circuit breaker to interior when used as a back-fed main for 2P QO 150–200 A circuit breakers	PK5RK	DE3A
	Secures ONE circuit breaker with or without electrical accessories to right side of interior when used as a back-fed main For 1Ø 100–125 ampere convertible main load centers. Series S01 and S02	PK4MB2LA	DE3A
	Secures ONE circuit breaker with or without electrical accessories to right side of interior when used as a back-fed main For 1Ø 150–225 ampere convertible main load centers. Series S01 and S02	PK4MB2HA	DE3A
Cover Sealing Strap	Provides means of sealing trim mounting screws on QO load center covers	QO1SE	DE3A
Replacement Cover Directory Label	1 through 42 numbered universal replacement directory label for load center covers	LSDL	DE5
Circuit Identification Stickers	Circuit identification stickers for use on cover directory labels to identify branch circuits	PSDS	DE5
Filler Plates	Fills opening in covers if twistout is removed in error	QOFP	DE3A
	Fills main circuit breaker opening in convertible load center covers 100–125 A	QOM1FP	DE3A
	Fills main circuit breaker opening in convertible load center covers 150–225 A	QOM2FP	DE3A
	Fills main circuit breaker opening in 3Ø load center covers (S01 and S02 Series)	KFP	DE3A
Door Lock Kits	Fills main circuit breaker opening in "Q" style 3Ø load center covers (S03 Series)	Q2FP	DE3A
	Use with QO612L100DF/S, QO612L100DFCU/SCU, QO612L100DTF/S, QO816L100DF/S, QO816L100DFCU/SCU, QO816L100DTF/S, QO48M30DSGP, or QO48M60DSGP	PK8FL [1]	DE3A
	Use with convertible mains, 1Ø and 3Ø 100–225 A, and fixed mains, 3Ø 125–225 A indoor load centers	PK6FL	DE3A
	Use with 300 and 400 ampere indoor load centers	PK4FL	PE1A
	Field-installed for 12–2 Al or 14–4 Cu AWG wire	LK70AN	DE3A
Neutral / Ground Lugs	Field-installed for 6–2/0 Al/Cu AWG wire	LK100AN	DE3A
	Field-installed for 14–2/0 Al/Cu AWG wire	LK125AN	DE3A
	Field-installed for 2–3/0 Al/Cu AWG wire	LK150AN	DE3A
	Field-installed for 4 AWG to 300 kcmil Al/Cu wire. Use in Series S, 150–225A QO load center or S03 and below, 150–225A HOM load center	LK225AN LK225ANHOM	DE3A
	Standard PK15GTA with a 1–4/0 Al/Cu Lug	PK15GTAL	DE3A
Ground Bar Kits	Standard PK18GTA with a 1–4/0 Al/Cu Lug	PK18GTAL	DE3A
	Standard PK23GTA with a 1–4/0 Al/Cu Lug	PK23GTAL	DE3A
	Insulator Kit for PK7GTA through PK27GTA	PKGTAB	DE3A
	For padlocking main circuit breakers in convertible load centers OFF	50–125 A QOM1PA	DE2E
Service Entrance Barriers	100–225 A QOM2PA	DE2E	
	QO / Homeline 1Ø 100–125 A QOM1 convertible main load centers	PKSB1LA	DE3A
	QO / Homeline 1Ø 150–225 A QOM2 convertible main load centers	PKSB1HA	DE3A
	QO 3Ø convertible main load centers	PKSB3	DE3A
	QO 1Ø back-fed main breaker applications	PKSB1QOBF	DE3A
QO 3Ø back-fed main breaker applications	PKSB3BF	DE3A	
QO Load Center Manual Power Transfer Accessories			
Manual Transfer Equipment Kit	For interlocking the handles of two 2P or one 2P and one 1P QO and Q1 circuit breakers mounted side-by-side so that only one circuit breaker can be "ON" at a time.	QO2DTI	DE2E
	QO2DTI mechanical interlock attachment with retaining kits for securing two adjacent back-fed circuit breakers in dual power supply applications. Can be used with (2) 2P or (1) 2P and (1) 1P QO circuit breakers in QO816L100 load centers.	QO2DTIM	DE2E
	Secures two 2P circuit breakers to right side of interior when used as back-fed mains, a QO2DTI Kit included for back-up power supply applications. For 1Ø 100–125 ampere convertible main load centers. Series S01 and S02.	PK4DTIM4LA	DE3A
	Secures two 2P circuit breakers to right side of interior when used as back-fed mains, a QO2DTI Kit included for back-up power supply applications. For 1Ø 150–225 ampere convertible main load centers. Series S01 and S02.	PK4DTIM4HA	DE3A

[4] UL short circuit current rating depends on lowest interrupting rating of circuit breaker installed.
 [5] UL Listed 5000 A short circuit current rating for corner grounded Delta systems. Use QO-H circuit breakers only.
 [6] Maximum single pole branch circuits utilizing QO and/or QOT circuit breakers.
 [7] See Indoor Knockout Information and Enclosure Dimensions, page 1-24
 [8] Comes with 125 A main circuit breaker factory installed.
 [9] Order catalog number PK4FL for field-installed lock kit.
 [1] QO403L60NF/S does not have provisions for a field-installed lock.

Table 1.38 QO Load Center Accessories (cont'd.)

	Description	Cat. No.	Schedule
	Secures two 2P circuit breakers to left side of interior when used as back-fed mains, a QO2DT1 Kit included for back-up power supply applications. For 1Ø 100–125 ampere convertible main load centers. Series S01 and S02.	PK4DTIM4LAL	DE3A
Generator Circuit Breaker Interlock Kit	For use on "G" and "S" Series NEMA 1 and "G", "S1" and "S2" Series NEMA 3R load centers. Interlocks a QOM1 2P main circuit breaker of a load center (100–125 A) with a QO 2P (15–125 A) branch circuit breaker. Includes a retaining kit.	QOCRBGK1C	DE3A
	For use on "G" and "S" Series NEMA 1 and "G" and "S1" Series NEMA 3R load centers. Interlocks a QOM2 2P main circuit breaker of a load center (150–225 A) with a QO 2P (15–125 A) branch circuit breaker. Includes a retaining kit.	QOCGK2C	DE3A
	For use on "S2" Series NEMA 3R load centers. Interlocks a QOM2 2P main circuit breaker of a load center (150–225 A) with a QO 2P (15–125 A) branch circuit breaker. Includes a retaining kit.	QORBGK2C	DE3A



QO and HOM Qwik-Grip Load Center Accessories

Table 1.39: Qwik-Grip Load Center Accessories

Description	Cat. No.	Schedule
Qwik-Grip replacement shield	(1) Qwik-Grip shield PKQGS	DE3A
Qwik-Grip fillers	(4) Qwik-Grip fillers PKQGFP	DE3A
Qwik-Grip replacement insert	(1) Qwik-Grip insert PKQGI	DE3A
Qwik-Grip assembly kit	(4) Qwik-Grip shields, (12) Qwik-Grip fillers PKQGA	DE3A

Homeline Load Center Accessories

Table 1.40: Homeline Load Center Accessories

Description	Cat. No.	Schedule	
Handle Padlock Attachment	For padlocking main circuit breakers in convertible load center, "OFF" 50–125 A	QOM1PA DE2E	
	100–225 A	QOM2PA DE2E	
Filler Plates	Fills opening in covers if twistout is removed in error	HOMFP DE3C	
	Fills main circuit breaker opening in convertible load centers	100–125 A	QOM1FP DE3A
		150–225 A	QOM2FP DE3A
Neutral / Ground Lugs	Field-installed for 14–2 AWG Al or 14–4 AWG Cu wire	LK70AN DE3B	
	Field-installed for 6–2/0 AWG Al/Cu wire	LK100AN DE3B	
	Field-installed for 14–2/0 AWG Al/Cu wire	LK125AN DE3B	
	Field-installed for 4 AWG to 300 kcmil Al/Cu wire. Use in Series S, 150–225A QO load center or S03 and below, 150–225A HOM load center	LK225AN DE3A	
	Field-installed for 4 AWG–300 kcmil Al/Cu wire. Use in Series S04, 150–225 A HOM load center	LK225ANHOM DE3A	
Retaining Kit for Breakers Used as Back-fed Mains	Secures circuit breaker to interior when used as a back-fed main. For HOM612L100F/S, RB and HOM48L125GC, GRB load centers	HOM1RK DE3C	
	Secures ONE circuit breaker right side of interior when used as a back-fed main For 100–125 A convertible main load centers, Series S01 and S02	HOM4RK2LA DE3C	
	Secures ONE circuit breaker right side of interior when used as a back-fed main For 150–225 A convertible main load centers, Series S01 and S02	HOM4RK2HA DE3C	
	Secures circuit breaker to interior when used as a back-fed main For 2P 150–200 A circuit breakers	HOM5RK DE3C	
Door Lock Kit	Use with convertible indoor load center covers (Series S-1)	PK6FL DE3A	
Replacement Cover Directory Label	1 through 42 numbered universal replacement directory label for load center covers	LSDL DE5	
Circuit Identification Stickers	Circuit identification stickers for use on cover directory labels to identify branch circuits	PSDS DE5	
Generator Circuit Breaker Interlock Kit	For use on "S" Series NEMA 1 and NEMA 3R load centers. Interlocks a QOM1 2P main circuit breaker of a load center (100–125 A) with a Homeline 2P (15–125 A) branch circuit breaker	HOMCRBGK1C DE3D	
	For use on "S" Series NEMA 1 and "S1" Series NEMA 3R load centers. Interlocks a QOM2 2P main circuit breaker of a load center (150–225 A) with a Homeline 2P (15–125 A) branch circuit breaker	HOMCGK2C DE3D	
	For use on "S2" and "S3" Series NEMA 3R QOM2 load centers. Interlocks a QOM2 2P main circuit breaker of a load center (150–225 A) with a Homeline 2P (15–125 A) branch circuit breaker	HOMRBGK2C DE3D	
Service Entrance Barriers	QO / Homeline 1Ø 100–125 A QOM1 convertible main load centers	PKSB1LA DE3A	
	QO / Homeline 1Ø 150–225 A QOM2 convertible main load centers	PKSB1HA DE3A	
	Homeline back-fed main breaker applications	PKSB1HOMBF DE3A	



Surge Protective Devices

Table 1.41: Load Center and CSED Surge Protection Devices

	Description	Cat. No.	Schedule
Surge Arresters	For use on 1Ø3W, 150 Vac maximum	SDSA1175	DE1B
	For use on 3Ø4W, 650 Vac maximum	SDSA3650	DE1B
	QO Surgebreaker cULus Listed Secondary Surge Arrester 150 Vac line-to-ground maximum	QO2175SB	DE1B
	Homeline Surgebreaker cULus Listed Secondary Surge Arrester 150 Vac line-to-ground maximum	HOM2175SB	DE1B
Surge Arrester Mounting Kit	UL Listed for mounting SDSA1175 surge arrester into ground bar mounting holes on 1Ø convertible main circuit breaker load centers	QOSAMK	DE3A

Indoor, 1Ø, Main Lugs and Main Circuit Breaker
1Ø3W—120/240 Vac—UL Listed

Table 1.42: Convertible Main Load Centers (Accepts Only HOM Plug-On Circuit Breakers)

Mains Rating	Spaces	Max. Single Pole Circuits [1]	Max. Tandem Circuit Breakers	Load Center Box, Interior and Cover [2]	Main Wire Size AWG/kcmil		Equipment Ground Bar Kit (Order Separately)	Box No. [3]
					Al	Cu		
Main Lugs—10 kA Short Circuit Current Rating Order HOM Circuit Breakers (See Homeline™ Circuit Breakers, page 1-21) Factory-installed Fixed Main Lugs								
70 A	2	4	2	HOM24L70F/S [4] [5]	12-3	14-4	PK3GTA1	2
100 A	6	12	6	HOM612L100F/S [4] [6]	8-1		PK7GTA	4
125 A	4	8	4	HOM48L125GC	12-2/0	14-2/0	PK7GTA Included	21
Convertible Mains—Factory-installed Main Lugs								
QOM1 Main Frame Size—Convertible to Main Circuit Breaker (See 1Ø3W—120/240 Vac—UL Listed, page 1-20)								
125 A	8	16	8	HOM816L125PC	6-2/0	6-1	PK9GTA	6
	12	24	12	HOM1224L125PC		6-1	PK15GTA	6
	16	32	16	HOM1632L125PC		6-1/0	PK15GTA	8
	20	40	20	HOM2040L125PC		6-1/0	PK18GTA	8
	30	60	30	HOM3060L125PC		6-2/0	PK23GTA	10
Convertible Mains—Factory-installed Main Lugs								
QOM2 Main Frame Size—Convertible to Main Circuit Breaker (See 1Ø3W—120/240 Vac—UL Listed, page 1-20)								
225 A	30	60	30	HOM3060L225PC	4-300	4-250	PK23GTA	10
	40	80	40	HOM4080L225PC			PK27GTA	12
	42	84	42	HOM4284L225PC			PK27GTA	12
	60	120	60	HOM60120L225PC [7]			PK27GTA	25
Convertible Mains—Factory-installed Main Lugs—Ground Bar Included								
QOM1 Main Frame Size—Convertible to Main Circuit Breaker (See 1Ø3W—120/240 Vac—UL Listed, page 1-20)								
125 A	8	16	8	HOM816L125PGC	6-2/0	6-1	PK15GTAL Included	6
	12	24	12	HOM1224L125PGC		6-1	PK15GTAL Included	6
	20	40	20	HOM2040L125PGC		6-1/0	PK15GTAL Included	8
	24	80	24	HOM2448L125PGC		6-1/0	PK15GTAL Included	8
Convertible Mains—Factory-installed Main Lugs—Ground Bar Included								
QOM2 Main Frame Size—Convertible to Main Circuit Breaker (See 1Ø3W—120/240 Vac—UL Listed, page 1-20)								
225 A	30	60	30	HOM3060L225PGC	4-300	4-250	PK15GTAL & PK15GTA Included	10
	16	32	16	HOM1632L225PGC			PK15GTAL Included	9
	20	40	20	HOM2040L225PGC			PK15GTAL Included	9
	40	80	40	HOM4080L225PGC			PK15GTAL & PK15GTA Included	12
	42	84	42	HOM4284L225PGC			PK15GTAL & PK15GTA Included	12
Main Circuit Breaker—22 kA Short Circuit Current Rating								
Convertible Mains—Factory-installed Main Circuit Breaker								
QOM1 Main Frame Size—Convertible to Main Lugs or Lower Amperage Main Circuit Breaker (See 1Ø3W—120/240 Vac—UL Listed, page 1-20)								
100 A	8	16	8	HOM816M100PC	6-2/0	6-1	PK9GTA	5
	12	24	12	HOM1224M100PC		6-1/0	PK15GTA	6
	20	40	20	HOM2040M100PC		6-1	PK18GTA	7
	24	48	24	HOM2448M100PC		6-2/0	PK23GTA	8
	30	60	30	HOM3060M100PC		6-2/0	PK23GTA	10
125 A	24	48	24	HOM2448M125PC	6-2/0	6-1/0	PK23GTA	8
	30	60	30	HOM3060M125PC		6-2/0	PK23GTA	10
Convertible Mains—Factory-installed Main Circuit Breaker								
QOM2 Main Frame Size—Convertible to Main Lugs or Lower Amperage Main Circuit Breaker (See 1Ø3W—120/240 Vac—UL Listed, page 1-20)								
150 A	30	60	30	HOM3060M150PC	4-250	4-250	PK23GTA	10
	20	40	20	HOM2040M200PC			PK18GTA	9
	30	60	30	HOM3060M200PC			PK23GTA	10
	40	80	40	HOM4080M200PC			PK27GTA	12
	42	84	42	HOM4284M200PC			PK27GTA	12
200 A	60	120	60	HOM60120M200C [7]	4-300	4-250	PK27GTA	25
	42	84	42	HOM4284M225PC			PK27GTA	12

Above listings through 200 A mains rating meet Federal Specification W-P-115c as Type 1, Class 2.

[1] Maximum single pole branch circuits utilizing HOM and/or HOMET circuit breakers.
 [2] C at end of catalog number indicates combination flush/surface cover included with device.
 [3] See Indoor Knockout Information and Enclosure Dimensions, page 1-24
 [4] F/S at end of catalog number indicates to order F for flush device or S for surface device. The cover does not have a door.
 [5] HOM-GFI and HOM-AFI branch circuit breakers are limited to number 10 maximum wire.
 [6] 70 A maximum branch circuit breaker, 100 A maximum back feed main circuit breaker.
 [7] Door kit available separately. Order QOCDK60.

Rainproof, 1Ø, Main Lugs and Main Circuit Breakers
1Ø3W—120/240 Vac—UL Listed

Table 1.43: Convertible Main Load Centers (Accepts Only HOM Plug-On Circuit Breakers.)

	Mains Rating	Spaces	Max. Single Pole Circuits [8]	Max. Tandem Circuit Breakers	Load Center Box, Interior and Cover	Main Wire Size AWG/kcmil		Equipment Ground Bar Kit (Order Separately)	Box No. [9]	
					Cat. No. (DE3C)	Al	Cu	Cat. No. (DE3A)		
RAI N P R O O F	Main Lugs—10 kA Short Circuit Current Rating Factory-installed Fixed Main Lugs, 10 kA Short Circuit Current Rating									
	70 A	2	4	2	HOM24L70RB [10]	12-3	14-4	PK4GTA	1R	
	100 A	6	12	6	HOM612L100RB [11]	8-1		PK7GTA	2R	
	125 A	4	8	4	HOM48L125GRB	12-2/0	14-2/0	PK7GTA Included	15R	
	Convertible Mains with Factory-installed Main Lugs [12], QOM1 Main Frame Size—Convertible to Main Circuit Breaker (See Below)									
	125 A	8	16	8	HOM816L125PRB	6-2/0	6-1	PK9GTA	3R	
		12	24	12	HOM1224L125PRB			PK15GTA	3R	
		20	40	20	HOM2040L125PRB			PK18GTA	4R	
		24	48	24	HOM2448L125PRB			PK23GTA	6R	
	Convertible Mains with Factory-installed Main Lugs [12], QOM2 Main Frame Size—Convertible to Main Circuit Breaker (See Below)									
225 A	12	12	0	HOM12L225PRB	4-300	4-250	PK9GTA	5R		
	16	32	16	HOM1632L225PRB			PK15GTA	6R		
	20	40	20	HOM2040L225PRB			PK18GTA	6R		
	30	60	30	HOM3060L225PRB			PK23GTA	7R		
	40	80	40	HOM4080L225PRB			PK27GTA	14R		
	42	84	42	HOM4284L225PRB			PK27GTA	14R		
Main Circuit Breaker—22 kA Short Circuit Current Rating Convertible Mains with Factory-installed Main Circuit Breaker, QOM1 Main Frame Size—Convertible to Main Lugs or Lower Amperage Main Circuit Breaker (See Below) [13]										
100 A	8	16	8	HOM816M100PRB	6-2/0	6-1	PK9GTA	3R		
	12	24	12	HOM1224M100PRB			PK15GTA	3R		
	20	40	20	HOM2040M100PRB			PK18GTA	4R		
125 A	8	16	8	HOM816M125PRB	6-2/0	6-1	PK9GTA	3R		
	24	48	24	HOM2448M125PRB			PK23GTA	6R		
Convertible Mains with Factory-installed Main Circuit Breaker, QOM2 Main Frame Size—Convertible to Main Lugs or Lower Amperage Main Circuit Breaker (See Below)										
200 A	150 A	30	60	30	HOM3060M150PRB	4-250		PK23GTA	7R	
	200 A	12	12	0	HOM12M200PRB	4-250		PK9GTA	5R	
		20	40	20	HOM2040M200PRB			PK18GTA	6R	
		30	60	30	HOM3060M200PRB			PK23GTA	7R	
		40	80	40	HOM4080M200PRB			PK27GTA	14R	
Convertible Mains with Factory-installed Main Circuit Breaker with Feed-thru Lugs, QOM2 Main Frame Size—Convertible to Main Lugs or Lower Amperage Main Circuit Breaker (See Below) [12]										
150 A	8	16	8	HOM816M150PFTRB	4-250		PK15GTA	6R		
200 A	8	16	8	HOM816M200PFTRB	4-250		PK15GTA	6R		

Above listings through 200 A mains rating meet Federal Specification W-P-115c as Type 1, Class 2.

1Ø, Field-Installed Mains Kits

Table 1.44: For Convertible Load Centers Only



Field-Installed Main Type	Frame Size	Main [14] Ampere Rating	Use on Convertible Load Center with Mains Rating	Cat. No.	Lug Wire Size [15] AWG/kcmil
Main Lugs [16]	—	125 A	100-125 A	QOL125	6-2/0 Al or Cu
		225 A	150-225 A	QOL225	6-300 Al or Cu
Main Circuit Breaker [13]	QOM1	50 A	100-125 A	QOM50VH	12-2/0 Al or Cu
		60 A	100-125 A	QOM60VH	
		70 A	100-125 A	QOM70VH	
		80 A	100-125 A	QOM80VH	
		90 A	100-125 A	QOM90VH	
		100 A	100-125 A	QOM100VH	
	110 A	125 A	QOM110VH	4-300 Al or Cu	
	125 A	125 A	QOM125VH		
	QOM2 [17]	100 A	150-225 A		QOM2100VH
		125 A	150-225 A		QOM2125VH
150 A		150-225 A	QOM2150VH		
175 A		200-225 A	QOM2175VH		
200 A	200-225 A	QOM2200VH			
225 A	225 A	QOM2225VH			

[8] Maximum single pole branch circuits utilizing HOM and/or HOMT circuit breakers.

[9] See Rainproof, Dimensions, Knockouts and Bolt-on Hubs, page 1-26

[10] HOM-GFI and HOM-AFI branch circuit breakers are limited to number 10 maximum wire.

[11] 70 A maximum branch circuit breaker, 100 A maximum back feed main circuit breaker.

[12] Side hinge door device allow 1-1/4 in. on left side for door to open.

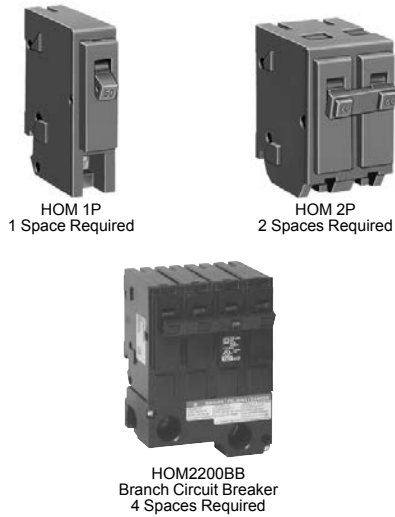
[13] 22 k AIR main circuit breaker UL Listed for use ahead of HOM and HOMT 10 k AIR branch circuit breakers to permit their application on systems with up to 22 kA available fault current.

[14] Do not exceed the load center mains rating.

[15] Wire range listed for main device kits is the wire range of that device. To find out maximum wire size permitted in a particular load center per UL, see tables in QO™ Load Centers, page 1-3 and QO™ and Homeline™ Load Centers and Circuit Breakers, page 1-16 under Main Wire Size.

[16] If main circuit breaker knockout has been removed from the load center's trim, order appropriate filler plate from QO and Homeline Load Center Accessories, page 1-17.

[17] Add suffix 1021 for 120, 208, 240 Vac shunt trip.



Homeline Plug-On Circuit Breakers

The Square D Homeline circuit breakers are in a 1 in. wide format for 1-pole circuit breakers. They are designed to plug into Homeline load centers.

Table 1.45: HOM

Ampere Rating	AIR	1P—120/240 Vac Cat. No.	2P—120/240 Vac Common Trip Cat. No.
15 A	10 kA	HOM115 [1][2]	HOM215 [2]
20 A	10 kA	HOM120 [1][2]	HOM220 [2]
25 A	10 kA	HOM125 [2]	HOM225 [2]
30 A	10 kA	HOM130 [2]	HOM230 [2]
35 A	10 kA	—	HOM235 [2]
40 A	10 kA	HOM140 [2]	HOM240 [2]
45 A	10 kA	—	HOM245 [2]
50 A	10 kA	HOM150 [2]	HOM250 [2]
60 A	10 kA	—	HOM260 [2]
70 A	10 kA	—	HOM270 [2]
80 A	10 kA	—	HOM280 [2]
90 A	10 kA	—	HOM290 [2]
100 A	10 kA	—	HOM2100 [2]
110 A	10 kA	—	HOM2110 [2]
125 A	10 kA	—	HOM2125 [2]
150 A	10 kA	—	HOM2150BB [2][3]
175 A	10 kA	—	HOM2175BB [2][3]
200 A	10 kA	—	HOM2200BB [2][3]

Homeline High Magnetic (HM) Circuit Breakers

High magnetic trip circuit breakers are recommended for applications where high initial inrush current may occur.

Table 1.46: HOM-HM

Amperes	1P—120/240 Vac	2Ps
15 A	HOM115HM [4]	—
20 A	HOM120HM [4]	—

Homeline Combination Arc Fault Circuit Interruptors (HOM-CAFI)

Homeline Combination Arc Fault Circuit Interruptors—Provide overload and short circuit protection, plus arc fault protection in accordance with the NEC and UL1699.



Table 1.47: HOM-CAFI

Circuit Breaker Type	Ampere Rating	Poles 120 Vac	Cat. No.
One-Pole			
Combination Arc-Fault Circuit Interrupter with Pigtail Neutral	15 A	1	HOM115CAFI [4]
	20 A	1	HOM120CAFI [4]
Plug-On Neutral Combination Arc-Fault Interrupter	15 A	1	HOM115PCAFI [4]
	20 A	1	HOM120PCAFI [4]
Two-Pole			
Combination Arc-Fault Circuit Interrupter with Pigtail Neutral	15 A	2	HOM215CAFI [4] [5]
	20 A	2	HOM220CAFI [4] [5]

Homeline Dual Function Circuit Breaker (HOM-DF)

Homeline Combination Arc Fault and Ground Fault Circuit Interrupters (Dual Function)—Provide overload and short circuit protection, plus arc fault and ground fault protection in a single device in accordance with the NEC, UL1699 and UL943.



Table 1.48: HOM-DF

Circuit Breaker Type	Ampere Rating	Poles 120 Vac	Cat. No.
Combination Arc-Fault and Ground Fault Circuit Interrupter with Pigtail Neutral	15 A	1	HOM115DF [4]
	20 A	1	HOM120DF [4]
Plug-On Neutral Combination Arc-Fault and Ground Fault Circuit Interrupter	15 A	1	HOM115PDF [4]
	20 A	1	HOM120PDF [4]

[1] UL Listed as SWD (switching duty) rated. Suitable for switching 120 Vac fluorescent lighting loads.
 [2] UL Listed as HACR type for use with air conditioning, heating and refrigeration equipment having motor group combinations and marked for use with HACR type circuit breakers.
 [3] Requires four spaces (1 AWG–300 kcmil Al/Cu). Use only in 1Ø panel rated 150 A or greater.
 [4] UL Listed as HACR type for use with air conditioning, heating and refrigeration equipment having motor group combinations and marked for use with HACR type circuit breakers.
 [5] For 120/240 V only, not for 208Y/120 V.



HOM 1P GFI
(With Ground Fault
Circuit Interrupter)
1 Space Required



HOM 2P GFI
(With Ground Fault
Circuit Interrupter)
2 Spaces Required

Homeline GFI (HOM-GFI)

HOM-GFI circuit breakers provide overload and short circuit protection, combined with Class A ground fault protection. Class A denotes a ground fault circuit interrupter that will trip when a fault current to ground is 6 milliamperes or more.

Table 1.49: HOM-GFI

Ampere Rating	AIR	1P—120 Vac 1 Space Required	2P—120/240 Vac Common Trip 2 Spaces Required
15 A	10 kA	HOM115GFI	HOM215GFI
20 A	10 kA	HOM120GFI	HOM220GFI
30 A	10 kA	—	HOM230GFI
40 A	10 kA	—	HOM240GFI
50 A	10 kA	—	HOM250GFI

Homeline Equipment Protection Device (HOM-EPD)

Homeline Equipment Protection Device—Circuit Breakers with 30 mA Equipment Ground Fault Protection (UL Listed).

Table 1.50: HOM-EPD—10 k AIR

Amperes	1P—120 Vac	2P—120/240 Vac Common Trip
15 A	HOM115EPD	HOM215EPD
20 A	HOM120EPD	HOM220EPD
25 A	—	HOM225EPD
30 A	—	HOM230EPD
40 A	—	HOM240EPD
50 A	—	HOM250EPD

HOMT Tandem and HOMT Quad Tandem Circuit Breakers

Table 1.51: HOMT Tandem Circuit Breakers

Ampere Rating [6]	AIR	1P Tandem—120/240 Vac (One Space Required)
15 and 15 A	10 kA	HOMT1515 [7]
15 and 20 A	10 kA	HOMT1520 [7]
20 and 20 A	10 kA	HOMT2020 [7]
30 and 15 A	10 kA	HOMT3015 [7]
30 and 20 A	10 kA	HOMT3020 [7]

Table 1.52: HOMT Quad Tandem Circuit Breakers

Ampere Rating [6]		AIR	2P Tandem—120/240 Vac (Two Spaces Required)
1P	2P		
(2) 15 A	15 A	10 kA	HOMT1515215 [7]
(2) 15 A	20 A	10 kA	HOMT1515220 [7]
(2) 15 A	25 A	10 kA	HOMT1515225 [7]
(2) 15 A	30 A	10 kA	HOMT1515230 [7]
(2) 15 A	40 A	10 kA	HOMT1515240 [7]
(2) 15 A	50 A	10 kA	HOMT1515250 [7]
(2) 20 A	20 A	10 kA	HOMT2020220 [7]
(2) 20 A	25 A	10 kA	HOMT2020225 [7]
(2) 20 A	30 A	10 kA	HOMT2020230 [7]
(2) 20 A	40 A	10 kA	HOMT2020240 [7]
(2) 20 A	50 A	10 kA	HOMT2020250 [7]



HOMT Quad
Circuit Breaker
2 Spaces Required

NOTE: Typical catalog number (e.g. HOMT 1515230) represents two 1P, outer poles (two 15 A 1P CBs) and one 2P inner circuit breaker with common trip (one 30 A 2P CB).

[6] 15–20 A tandem or quad tandem circuit breakers are suitable for use with 60°C or 75°C conductors. 25–50 A tandem or quad tandem circuit breakers are suitable for use with 75°C conductors only.

[7] UL Listed as HACR type for use with air conditioning, heating and refrigeration equipment having motor group combinations and marked for use with HACR type circuit breakers.



HOM Plug-on Neutral Load Center with Qwik-Grip

HOM Plug-On Neutral Load Centers with Qwik-Grip

Qwik grip simplifies rough-in by eliminating the need for most knockout removals and eliminates the use of most box connectors. With a quick bend of the NM-B wire using the wire bend guide on the Qwik-Grip insert, the wire easily slides into the slot. Solution is UL listed.

Table 1.53: HOM Plug-on Neutral Load Centers with Qwik-Grip

	Main Ratings	Spaces	Max. 1P Circuits	Max. Tandem Circuit Breakers	Load Center Box, Interior, Cover and Branch Circuit Breakers	Main Wire Size AWG/kcmil		Equipment Ground Bar Kit Cat. No.	Box No.	
					Cat. No.	Al	Cu			
INDOOR	125 A	24	48	24	HOM2448L125PQGC	6-2/0	6-1/0	PK15GTAL Included	8Q	
		30	60	30	HOM3060L125PQGC	6-2/0	6-2/0	PK23GTAL Included	10Q	
	Convertible Mains—Factory-Installed Main Lugs, 10 kA Short Circuit Current Rating— QOM2 Main Frame Size, Convertible to Main Circuit Breaker									
	225 A	30	60	30	HOM3060L225PQGC	4-250		PK15GTAL and PK15GTA Included	10Q	
		40	80	40	HOM4080L225PQGC	4-250		PK15GTAL and PK15GTA Included	12Q	
	Convertible Mains—Factory-Installed Main Circuit Breaker, 22 kA Short Circuit Current Rating— QOM2 Main Circuit Breaker Frame Size, Convertible to Main Lugs or Main Circuit Breaker									
	200 A	30	60	30	HOM3060M200PQC	4-250		PK23GTA (Order seperately)	10Q	
		40	80	40	HOM4080M200PQC	4-250		PK27GTA (Order seperately)	12Q	

Homeline Circuit Breaker Wire Sizes

Table 1.54: Circuit Breaker Wire Sizes

Breaker Type	Ampere Rating	Wire Size (AWG/kcmil) [8]	
		Aluminum	Copper
HOM 1P	15-30 A	14-8 AWG	14-8 AWG or (2) 14-10 AWG
	40-50 A	8-2 AWG	8-2 AWG
HOM 2P	15-30 A	14-8 AWG	14-8 AWG or (2) 14-10 AWG
	35-70 A	8-2 AWG	8-2 AWG
	80-125 A	4-2/0 AWG	4-2/0 AWG
	150-200 A	4 AWG-300 kcmil	4 AWG-300 kcmil
HOMT and Quad	15-30 A	14-8 AWG	14-8 AWG
Quad Only	40-50 A	6-12 AWG	6-14 AWG
HOM-GFI - 1P	15-20 A	14-10 AWG	14-10 AWG
HOM-GFI - 2P	15-50 A	12-4 AWG	14-6 AWG

Accessories for Homeline Circuit Breakers

Table 1.55: Accessories

Description	Cat. No.	
Handle Attachments		
Handle Tie: Converts any two adjacent 120/240 Vac single HOM circuit breakers to independent trip 2P	HOM1HT	
Handle Tie: Converts any two adjacent 120/240 Vac 1P side-by-side HOMT circuit breakers to independent trip 2P	HOMTHT	
Handle Clamp: Clamp for holding HOM 1P handle in the ON or OFF position	QO1LO	
Handle Blocking Device: Attaches to standard HOM 2P circuit breakers for holding the handle in the OFF position	HOM2HBD	
Handle Padlock Attachment: For padlocking 1P Standard HOM breakers in the ON or OFF position	HOM1PA	
Handle Padlock Attachment: For padlocking 2P Standard HOM circuit breakers in ON or OFF position	15-70 A	HOM2PALA
	80-125 A	HOM2PAHA
	150-200 A	HOM2PAVHA
Handle Padlock Attachment: For padlocking 1P CAFI, DF, GFI, and EPD HOM breakers in ON or OFF position	HOMELEC1PA	
Handle Padlock Attachment: For padlocking 2P CAFI, GFI, and EPD HOM breakers in ON or OFF position	HOMELEC2PALA	
Handle Padlock Attachment: For padlocking center poles of Homeline Quad breakers in the OFF position	HOMQPA	
Handle Padlock Attachment: For padlocking main circuit breakers in convertible load center in OFF position	50-125 A	QOM1PA [9]
	100-225 A	QOM2PA [9]
Sub-Feed Lugs		
125 A 2P plug-on—2 spaces required	HOML2125	
225 A 2P plug-on—4 spaces required	HOML2225 [10]	

[8] 15-30 A circuit breakers are suitable for use with 60°C or 75°C conductors. 40-125 A circuit breakers are suitable for use with 75°C conductors.

[9] 50-125 A QOM1 frame size; 100-225 A QOM2 frame size.

[10] Requires four spaces (1 AWG-300 kcmil Al/Cu). Use only in 1Ø panel rated 150 A or greater.

Indoor Knockout Information and Enclosure Dimensions

Table 1.56: Enclosure Dimensions

Box No.	Dimensions			Dimensions			Box No.	Dimensions					
	W	H	D	W	H	D							
1	3.81	97	6.72	171	3.00	76	13	5.88	149	13.12	333	3.38	86
2	4.81	122	9.30	236	3.19	81	14	14.25	362	20.92	531	3.75	95
3	4.81	122	9.30	236	3.19	81	15	20.00	508	50.00	1270	5.75	146
4	8.88	226	12.57	319	3.80	97	16	20.00	508	62.00	1727	5.75	146
5	14.25	362	14.92	379	3.75	95	17	20.00	508	53.00	1346	5.75	146
6	14.25	362	17.92	455	3.75	95	18	5.88	149	16.12	409	3.38	86
7	14.25	362	20.92	531	3.75	95	19	7.56	192	23.12	587	4.25	108
8	14.25	362	26.04	661	3.75	95	20	9.62	244	26.12	663	4.75	121
9	14.25	362	29.86	758	3.75	95	21	8.88	226	14.80	376	3.80	97
10	14.25	362	33.78	858	3.75	95	22	8.55	217	23.92	608	3.95	100
11	14.25	362	37.98	965	3.75	95	23	14.25	362	29.86	758	3.75	95
12	14.25	362	39.37	1000	3.75	95	24	14.25	362	43.15	1096	3.75	95
							25	14.25	362	48.50	1235	3.75	95

Table 1.57: Knockout Information

Symbol	Knockouts								
	A	B	C	D	E	F	G	H	I
Conduit Size	1/2	3/4	1	1-1/4	1-1/2	2	2-1/2	3	3-1/2

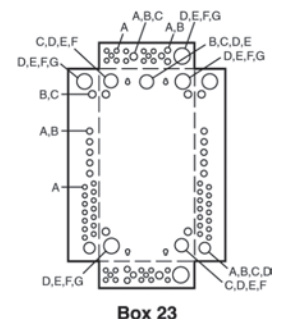
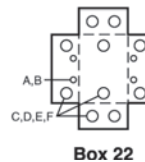
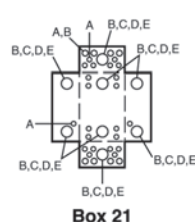
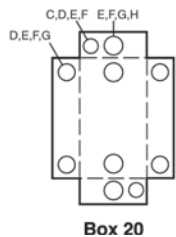
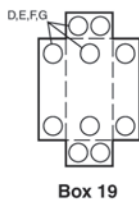
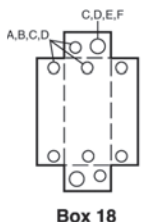
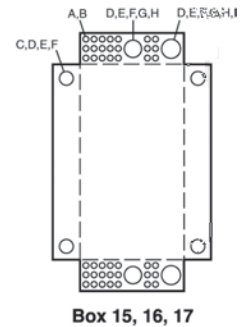
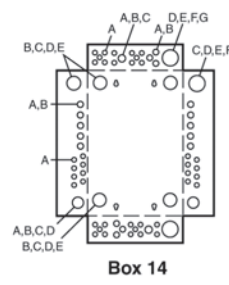
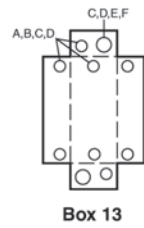
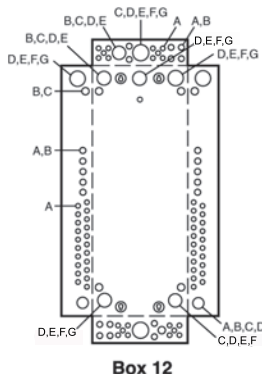
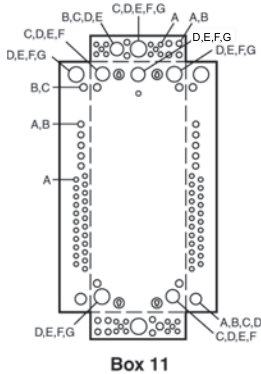
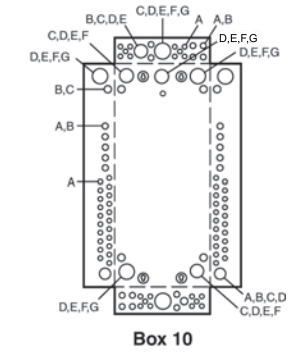
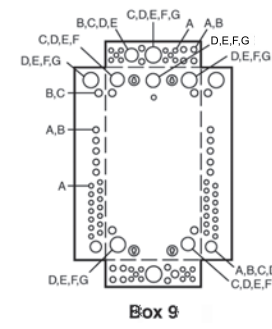
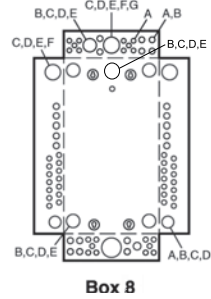
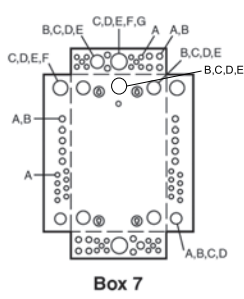
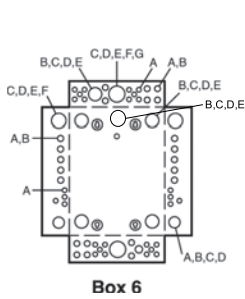
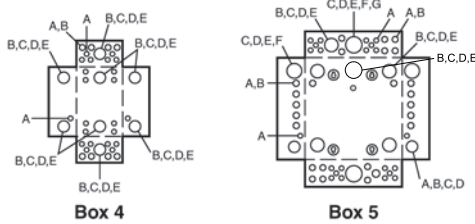
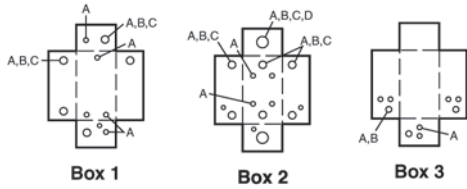
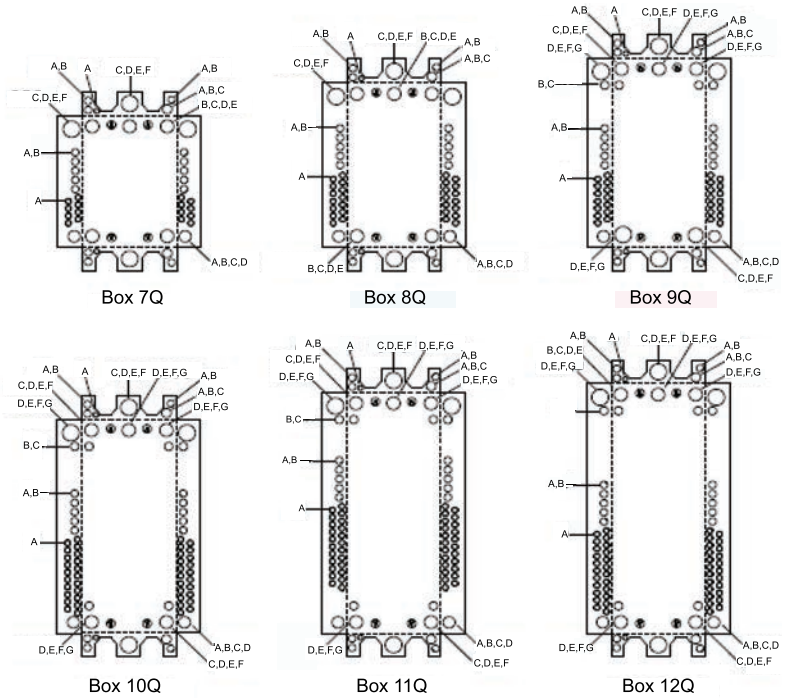
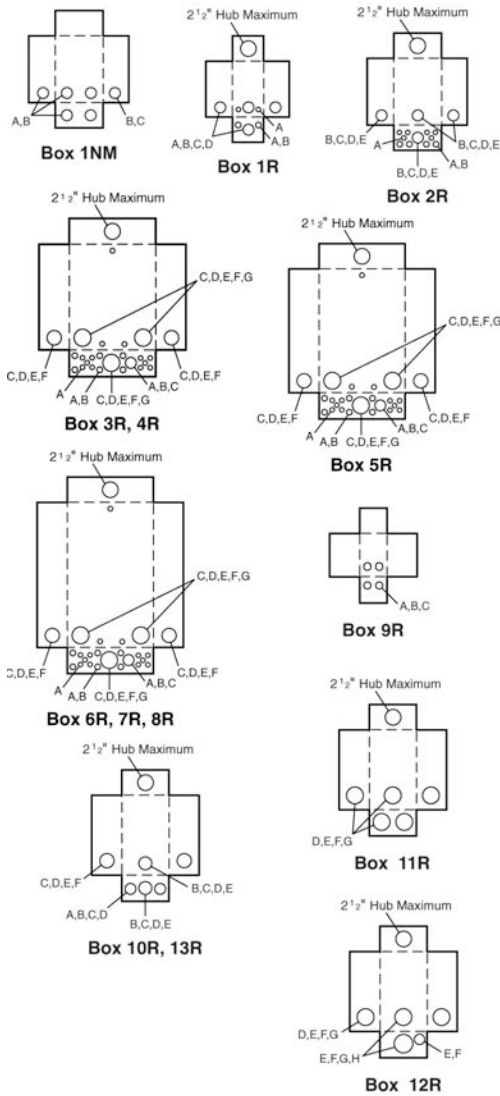


Table 1.58: Indoor knockout information and Enclosure Dimensions for Qwik Grip Loadcenters

Box No.	Dimensions					
	W		H		D	
	in.	mm	in.	mm	in.	mm
7Q	14.25	362	20.92	531	3.75	95
8Q	14.25	362	26.04	661	3.75	95
9Q	14.25	362	29.86	758	3.75	95
10Q	14.25	362	33.78	858	3.75	95
11Q	14.25	362	37.98	965	3.75	95
12Q	14.25	362	39.37	1000	3.75	95





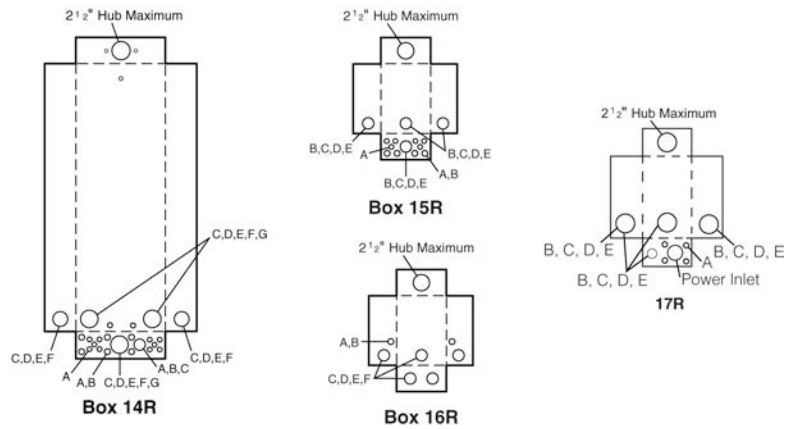
Enclosure Dimensions and Knockout Information

Table 1.59: Enclosure Dimensions

Box No.	Dimensions					
	W		H		D	
	in.	mm	in.	mm	in.	mm
1NM	6.52	166	8.79	223	3.90	99
1R [1]	4.88	124	9.38	238	4.00	102
2R	8.88	226	12.65	321	4.27	108
3R	14.75	375	18.92	481	4.52	115
4R	14.75	375	22.06	560	4.52	115
5R	14.75	375	26.04	661	4.52	115
6R	14.75	375	29.86	758	4.52	115
7R	14.75	375	33.78	858	4.52	115
8R	14.75	375	37.98	965	4.52	115
9R	4.56	116	6.50	165	3.88	99
10R	6.92	176	13.18	335	4.12	105
11R	7.56	192	23.24	590	4.75	121
12R	9.62	244	26.24	666	5.50	140
13R	6.92	176	16.18	411	4.12	105
14R	14.75	375	39.37	1000	4.52	115
15R	8.88	226	14.80	376	4.27	108
16R	8.55	217	24.75	629	4.16	106
17R	8.88	226	12.65	321	4.27	108

Table 1.60: Knockout Information

Symbol	Knockouts							
	A	B	C	D	E	F	G	H
Conduit Size	1/2 in.	3/4 in.	1 in.	1-1/4 in.	1-1/2 in.	2 in.	2-1/2 in.	3 in.



Bolt-On Hubs

Square D equipment with "R" or "RB" suffix, designated NEMA 3R rainproof construction, utilizes bolt-on hubs listed below. "RB" devices will accept 3/4 in. through 2-1/2 in. bolt-on hubs without the use of reducers. Off-center conduit thread openings and elongated mounting holes provide quick and easy adjustment to eliminate costly conduit offsets and bends. Catalog suffix "R" devices require 3 in. through 4 in. field cut opening. Hubs are suitable for use with conduit having ANSI standard taper pipe thread.

Table 1.61: Bolt-On Hubs UL Listed for "RB" Devices

Conduit Size	3/4 in.	1 in.	1-1/4 in.	1-1/2 in.	2 in.	2-1/2 in.
Hub Cat. No.	B075	B100	B125	B150	B200	B250

NOTE: Closing cap (Cat. No. BCAP) is provided factory-installed on each device having "RB" suffix.

Table 1.62: Bolt-On Hubs UL Listed for Mounting in Field-Cut Opening

Conduit Size	3 in.	4 in.	
Hub Cat. No.	B300	B400	Designed for mounting in field cut opening. Includes gasket and four mounting bolts and nuts.



[1] HOME250SPA and QO260NATR top endwall has no hub opening.

Catalog Number Logic for CSED

Table 1.63: Catalog Numbers for Combination Service Entrance Devices

Number Segment	Character	Description	R	Q	C	8	16	D	200	C	H	X	S
Socket Type	Q	QO Ringless											
	R	HOM Ringless											
	C	QO Ring type											
	S	HOM Ring type											
Service Disconnect Install	Blank	Field Installed											
	Q	Factory Installed											
Service Feed	Blank	Combination overhead/underground											
	C	Combination overhead/underground											
	O	Overhead only											
	U	Underground only											
	RA	"A" Hub provision in top endwall											
	RB	"B" Hub provision in top endwall											
Spaces (Service Discounts or Branches)	#	Maximum # of 1-pole circuits											
	#	Maximum # of 1-pole spaces											
Interior	D	Dual main service disconnects (feed-thru lugs on meter mains only)											
	F	Single main service disconnect with feed-thru lugs											
	L	Main lug interior (service disconnects field installed)											
	M	Single main service disconnect											
Amperage Rating	100	100 A											
	125	125 A											
	150	150 A											
	200	200 A											
	225	225 A											
	400	400 A											
Enclosure Mounting Style	C	Surface mount or convertible to semi-flush (use appropriate flange kit)											
	F	Semi-flush mount only											
	R	Reverse mount only											
	S	Surface mount only											
	PF	Home PoN semi-flush mount device											
	PS	Home PoN surface mount device											
Meter Socket Bypass Type	H	Horn by-pass											
	K	K-4 bolt-on, no by-pass											
	L	Class 320 with lever by-pass											
	N	Class 320, No by-pass											
	B	Class 320 with test block by-pass											
	Blank	No by-pass											
Application	X	2 piece lever by-pass cover											
	S	Solar ready											
	FMG	Florida Meter Group											
	MEG	Meter Equipment Group											

This table is for interpreting existing part number only. All possible combinations are not available.

Rainproof Meter Mains

Table 1.64: Rainproof Meter Mains

Ampere Rating	Bypass Type	Service (Type of Feed)		Short Circuit Current Rating	Cat. No.	Service Disconnect(s)			Load Center and Branch Circuit Breakers (Order separately [1])				Hub Type (Order separately [2])	Line Side Main Lugs AWG/kcmil (Al/Cu)	Service Ground Lug AWG/kcmil (Al/Cu)	Weight Each (Lbs) and Pallet Qty.
		UL	UL and EU-SERC			2P Circuits (Max.)	Type (Order separately [3])	Ampere Rating Max.	Max. Quantity		Ampere Rating Max.					
									Spaces	Circuits		Tandems				
Ring Type, QOT™																
Surface Mount Only																
125 A	None	OH/UG	—	10 kA	C125RB	1	QOM1-VH	125 A	—	—	—	—	B	4-1/0	8-1/0	15, 54
		OH/UG	—	22 kA	CM200S	1	QOM2-VH	200 A	—	—	—	—	A	4-250	(2)8-2/0	26, 24
200 A	None	OH/UG	—	22 kA	C2M200S	1	QOM2-VH	200 A	—	—	—	—	A	4-250	(2)8-2/0	27, 20
		OH/UG	—	10 kA	C4L200S	2	QO	100 A	—	—	—	—	A	4-250	(2)8-2/0	27, 28
Ring Type, Homeline™																
Surface Mount Only																
125 A	None	OH/UG	OH/UG	10 kA	SC8L125S	4	HOM	125 A [4]	—	—	—	—	A	6-2/0	6-2/0	31, 24
200 A	None	OH/UG	OH/UG	10 kA	SC12L200S	6	HOM	200 A [5]	—	—	—	—	A-L	4-250	8-2/0	40, 10
Semiflush Mount only																
125 A	None	OH/UG	OH/UG	10 kA	SC8L125F	4	HOM	110 A	—	—	—	—	A or B300	6-2/0	6-2/0	37, 20
		OH [6]/UG	OH [6]/UG	10 kA	SC12L200F	6	HOM	200 A [7]	—	—	—	—	A-L	4-250	8-2/0	47, 10
200 A	None	OH [6]/UG	OH [6]/UG	22 kA	SC816F200F [8]	1	QOM2200VH [4]	200 A	8	16	8	200 A [7]	A-L	4-250	8-2/0	51, 10
Surface Mount—Supplied with Feed-Thru Lugs and provisions for Branch Circuit Breakers																
150 A	None	OH/UG	OH/UG	22 kA	SC816F150S [8]	1	QOM2150VH [9]	150 A	8	16	8	150 A [10]	A-L	4-250	8-2/0	40, 10
		—	—	10 kA	SC816D150C [8] [11]	1	HOM2150 [9]	150 A 50 A	8	16	8	100 A [12]	A or A-L	6-300	8-1/0	48, 18
		UG	—	10 kA	SU816D150C [8] [11]	1	HOM	150 A 50 A	8	16	8	100 A [12]	A or A-L	6-300	8-1/0	48, 18
200 A	None	UG	OH/UG	22 kA	SC816F200S [8]	1	QOM2200VH [9]	200 A	8	16	8	200 A [13]	A-L	4-250	8-2/0	40, 10
		—	—	10 kA	SC816D200C [8] [11]	1	HOM2200 [9]	200 A 50 A	8	16	8	100 A [12]	A or A-L	6-300	8-1/0	48, 18
		UG	—	10 kA	SU816D200C [8] [11]	1	HOM	200 A 50 A	8	16	8	100 A [12]	A or A-L	6-300	8-1/0	48, 18
Ringless, QOT™																
Surface Mount Only																
	None	OH/UG	—	22 kA	RC200S [14]	1	QOM2-VH	200 A	—	—	—	—	A	6-350	(2)8-2/0	26, 24
	Lever			10 kA	RCM200SL [14] [15]	1	QOM2-VH	200 A					A	6-350	8-1/0	60 / 14
	None			22 kA	RC2M200S [14]	1	QOM2-VH	200 A					A	6-350	(2)8-2/0	27, 20
	Horn			22 kA	RC2M200SH [14]	1	QOM2-VH	200 A 50 A					A	6-350	(2)8-2/0	27, 20
	Lever			10 kA	RC2M200SL [14] [15]	1	QOM2-VH	200 A					A	6-350	8-1/0	60 / 14
	None			22 kA	QC12L200S [14] [15]	6	QO-VH	200 A					A	6-350	8-2/0	43, 21
	None			22 kA	QC12L200C [14]	6	QO-VH	200 A [7]					A	6-350	12-2/0	40, 21
Surface Mount Only, Supplied with Feed-Thru Lugs and provisions for Branch Circuit Breakers																
100 A	Horn	OH/UG	—	22 kA	QC816F100SH [8] [14] [15] [16]	1	QOM2100VH [9]	100 A	8	16	8	100	A	6-350	8-2/0	43, 21
100 A	Horn	OH/UG	—	22 kA	QC816F100CH [8] [14] [15]	1	QOM2100VH [9]	100 A	8	16	8	100	A	6-350	12-2/0	40, 21
	None	OH/UG	—	22 kA	QC816F125S [8] [14] [15]	1	QOM2125VH [9]	125 A	8	16	8	100	A	6-350	8-2/0	43, 21
125 A	None	OH/UG	—	22 kA	QC816F125C [8] [14]	1	QOM2125VH [9]	125 A	8	16	8	100	A	6-350	12-2/0	40, 21
	Horn	OH/UG	—	22 kA	QC816F125SH [8] [14] [15] [16]	1	QOM2125VH [9]	125 A	8	16	8	100	A	6-350	8-2/0	43, 21
	None	OH/UG	—	22 kA	QC816F150S [8] [14] [15] [16]	1	QOM2150VH [9]	150 A	8	16	8	150 A [17]	A	6-350	8-2/0	43, 21
	None	OH/UG	—	22 kA	QC816F150C [8] [14]	1	QOM2150VH [9]	150 A	8	16	8	150 A [17]	A	6-350	12-2/0	40, 21
150 A	Horn	OH/UG	—	22 kA	QC816F150SH [8] [14] [15] [16]	1	QOM2150VH [9]	150 A	8	16	8	150 A [17]	A	6-350	8-2/0	43, 21
	Lever	OH/UG	—	22 kA	QC816F150SL [18] [14] [15] [16]	1	QOM2150-VH [9]	200 A	8	16	8	150 A	A	6-350	8-2/0	74 / 12

[1] To order branch circuit breakers, see QO Plug-On Circuit Breakers, page 1-10
 [2] To order hubs, see Accessories and Hubs for CSEDs, page 1-33
 [3] To order service disconnects, see Circuit Breakers for CSEDs, page 1-32 except as noted)
 [4] Service disconnect supplied factory-installed.
 [5] Use only 15–110 A and 150–200 A breakers.
 [6] Suitable for OH service with addition of tunnel kit (SCTK20). Order separately.
 [7] Use only 15–100 A and 150–200 A circuit breakers.
 [8] Supplied with load side feed-thru lugs, for 4 AWG–250 kcmil (Al/Cu) conductors.
 [9] Service disconnect supplied factory-installed.
 [10] Use only 15–110 A and 150 A breakers.
 [11] Convertible to semiflush with SC200F flange kit (order separately).
 [12] A 100 A circuit breaker can be installed in bottom position only, all other positions are limited to 70 A max.
 [13] Use only 15–110 A and 150–200 A breakers.
 [14] Device supplied with barrel lock provisions factory-installed.
 [15] 5th jaw factory-installed.
 [16] Suitable for load wires to exit top endwall with addition of Tunnel Kit OHBS, see Table 1.70 Accessories, page 1-33, check with local utility for approval.
 [17] Use only 15–100 A and 150 A circuit breakers.
 [18] Supplied with load side feed-thru lugs, for 4 AWG–250 kcmil (Al/Cu) conductors.



by Schneider Electric

schneider-electric.us

Rainproof, Meter Mains

Class 4119, 4120

Combination Service Entrance Devices

Table 1.64 Rainproof Meter Mains (cont'd.)

Ampere Rating	Bypass Type	Service (Type of Feed)		Short Circuit Current Rating	Cat. No.	Service Disconnect(s)			Load Center and Branch Circuit Breakers (Order separately [1])				Hub Type (Order separately [2])	Line Side Main Lugs AWG/kcmil (Al/Cu)	Service Ground Lug AWG/kcmil (Al/Cu)	Weight Each (Lbs) and Pallet Qty.
		UL	UL and EU-SERC			2P Circuits (Max.)	Type (Order separately [3])	Ampere Rating Max.	Max. Quantity		Ampere Rating Max.					
									Spaces	Circuits		Tan-dems				
200 A	None	OH/UG	—	22 kA	QC816F200S [19] [20] [21] [22]	1	QOM2200VH [23]	200 A	8	16	8	200 A [24]	A	6-350	8-2/0	43, 21
	Horn	OH/UG	—	22 kA	QC816F200SH [19] [20] [21] [22]	1	QOM2200VH [23]	200 A	8	16	8	200 A [24]	A	6-350		
	Horn	OH/UG	—	22 kA	QC816F200CH [19] [20]	1	QOM2200VH [23]	200 A	8	16	8	200 A [24]	A	6-350	12-2/0	40, 21
	Lever	OH/UG	—	22 kA	QC816F200SL [19] [20] [21] [22]	1	QOM2200-VH [23]	200 A	8	16	8	200 A	A	6-350	8-2/0	74 / 12
Ringless, Homeline™																
Surface Mount Only																
125 A	None	OH/UG	—	10 kA	RC8L125S [25]	4	HOM	125 A [26]	—	—	—	—	A	6-2/0	6-2/0	27, 32
200 A	None	OH/UG	—	10 kA	RC12L200S [20] [21] [22]	6	HOM	200 A [24]	—	—	—	—	A	6-350	8-2/0	43, 21
200 A	None	OH/UG	—	22 kA	RC12L200C [20]	6	HOM	200 A [24]	—	—	—	—	A	6-350	12-2/0	40, 21
Surface Mount Only, Supplied with Feed-Thru Lugs and provisions for Branch Circuit Breakers																
100 A	Horn	OH/UG	—	22 kA	RC816F100SH [19] [20] [21] [22]	1	QOM2100VH [23]	100 A	8	16	8	100 A	A	6-350	8-2/0	43, 21
100 A	Horn	OH/UG	—	22 kA	RC816F100CH [19] [20] [21]	1	QOM2100VH [23]	100 A	8	16	8	100 A			12-2/0	40, 21
125 A	Horn	OH/UG	—	22 kA	RC816F125SH [19] [21] [22]	1	QOM2125VH [23]	125 A	8	16	8	100 A			8-2/0	43, 21
125 A	Horn	OH/UG	—	22 kA	RC816F125CH [19] [20]	1	QOM2125VH [23]	125 A	8	16	8	100 A			12-2/0	40, 21
150 A	None	OH/UG	—	22 kA	RC816F150S [19] [20] [22]	1	QOM2150VH [23]	150 A	8	16	8	150 A [27]			8-2/0	43, 21
	None	OH/UG	—	22 kA	RC816F150C [19] [20]	1	QOM2150VH [23]	150 A	8	16	8	150 A [27]			12-2/0	40, 21
	Horn	OH/UG	—	22 kA	RC816F150SH [19] [20] [21] [22]	1	QOM2150VH [23]	150 A	8	16	8	150 A [27]			8-2/0	43, 21
	Horn	OH/UG	—	22 kA	RC816F150CH [19] [20] [21]	1	QOM2150VH [23]	150 A	8	16	8	150 A [27]			12-2/0	40, 21
200 A	Lever	OH/UG	—	22 kA	RC816F150SL [20] [21] [28]	1	QOM2150-VH [23]	200 A	8	16	8	150 A			8-2/0	72 / 12
	None	OH/UG	—	22 kA	RC816F200S [19] [20] [21] [22]	1	QOM2200VH [23]	200 A	8	16	8	200 A [24]			8-2/0	43, 21
	None	OH/UG	—	22 kA	RC816F200C [19] [20]	1	QOM2200VH [23]	200 A	8	16	8	200 A [24]			12-2/0	40, 21
	Horn	OH/UG	—	22 kA	RC816F200SH [19] [20] [21] [22]	1	QOM2200VH [23]	200 A	8	16	8	200 A [24]			8-2/0	43, 21
	Horn	OH/UG	—	22 kA	RC816F200CH [19] [20] [21]	1	QOM2200VH [23]	200 A	8	16	8	200 A [24]			12-2/0	40, 21
200 A	Lever	OH/UG	—	22 kA	RC816F200SL [19] [20] [21] [28]	1	QOM2200-VH [23]	200 A	8	16	8	200 A			8-2/0	72 / 12
	Horn	OH/UG	—	10 kA	RC816D200CH [29] [19] [21] [25]	1	HOM2200 [23]	200 A	8	16	8	100 A [30]			6-300	6-1/0
								50 A								

[1] To order branch circuit breakers, see QO Plug-On Circuit Breakers, page 1-10

[2] To order hubs, see Accessories and Hubs for CSEDs, page 1-33

[3] To order service disconnects, see Circuit Breakers for CSEDs, page 1-32 except as noted

[19] Supplied with load side feed-thru lugs, for 4 AWG-250 kcmil (Al/Cu) conductors.

[20] Device supplied with barrel lock provisions factory-installed.

[21] 5th jaw factory-installed.

[22] Suitable for load wires to exit top endwall with addition of Tunnel Kit OHBS, see Table 1.70 Accessories, page 1-33, check with local utility for approval.

[23] Service disconnect supplied factory-installed.

[24] Use only 15-100 A and 150-200 A circuit breakers.

[25] Knockout provided in cover for use with barrel lock kit SCBRLLOCK (see Accessories).

[26] 125 A Homeline™ 2P circuit breaker can be installed in top position only. All other positions are limited to 100 A max.

[27] Use only 15-100 A and 150 A circuit breakers.

[28] Suitable for load wires to exit top endwall with addition of Tunnel Kit OHBL, see Table 1.70 Accessories, page 1-33, check with local utility for approval.

[29] Convertible to semiflush with SC200F flange kit (order separately).

[30] A 100 A circuit breaker can be installed in bottom position only, all other positions are limited to 70 A max.

Meter Mains and All-In-Ones (100 to 225 A Maximum)

- Ring or ringless type meter socket designs available
- UL Listed, suitable only for use as service equipment
- Meets EUSERC standards
- Service disconnect(s) are supplied factory-installed, except where noted
- Semiflush-reverse design available, supplied with load center (indoor access)
- Supplied with 100% branch neutrals, all unused terminals may be used for equipment grounding wires.
- Meets Federal Specification W-P-115c as Type 1, Class 2

Table 1.65: All-In-One Combination Service Entrance Devices

Ampere Rating	Bypass Type	Service (Type of Feed) UL and EUSERC	Short Circuit Current Rating	Cat. No. (DE3A)	Service Disconnect(s)			Load Center and Branch Circuit Breakers (Order separately [31])				Hub Type [32] (Order separately)	Line Side Main Lug AWG/kcmil (Al/Cu)	Service Ground Lug AWG/kcmil (Al/Cu)	Weight Each (Lbs) and Pallet Qty.
					2P Circuits (Max.)	Type (Factory Installed)	Ampere Rating Max.	Max. Quantity	1P		Ampere Rating Max.				
									Circuits	Tan-dems					
Ring Type, Homeline™															
Surface Mount Only															
100 A	None	OH/UG	10 kA	SC1624M100S	1	HOM2100	100 A	16	24	8	100 A	A	6-2/0	6-2/0	32, 24
125 A	None	OH/UG	10 kA	SC1624M125S	1	HOM2125	125 A	16	24	8	125 A [33]	A	6-2/0	6-2/0	32, 24
200 A	None	OH/UG	22 kA	SC2040M200S	1	QOM2200VH	200 A	20	40	20	200 A [34]	A-L	4-250	6-2/0	45, 10
200 A	None	OH/UG	10 kA	SC2040M200C [35]	1	HOM2200	200 A	20	40	20	100 A	A or A-L	6-300	8-1/0	47, 18
200 A	None	UG	10 kA	SU2040M200C [35]	1	HOM2200	200 A	20	40	20	100 A	A or A-L	6-300	8-1/0	47, 18
Semiflush Mount Only															
100 A	None	OH/UG	10 kA	SC1624M100F	1	HOM2100	100 A	16	24	8	100 A	A or B30-0	6-2/0	6-2/0	44, 20
125 A	None	OH/UG	10 kA	SC1624M125F	1	HOM2125	125 A	16	24	8	110 A	A	6-350	8-2/0	43, 21
		OH[36]/UG	22 kA	SC2040M125F	1	QOM2125VH	125 A	20	40	20	110 A	A	6-350	8-2/0	43, 21
200 A	None	OH[36]/UG	22 kA	SC2040M200F	1	QOM2200VH	200 A	20	40	20	200 A [34]	A-L	4-250	8-2/0	51, 10
		OH[37]/UG	22 kA	SC2636M200FPV [38]	1	QOM2200VH	200 A	26	36	10	100 A	A-L	4-250	8-2/0	56, 10
				SC3040M200F	1	QOM2200VH	200 A	30	40	10	200 A	A-L	4-250	8-2/0	56, 10
225 A	None	OH[37]/UG	22 kA	SC3040M225F	1	QOM2225VH	225 A	30	40	10	200 A	A-L	4-250	8-2/0	56, 10
				SC2636M225FPV [38]	1	QOM2225VH	225 A	26	36	10	100 A	A-L	4-250	8-2/0	56, 10
Surface Mount Only															
100 A	None	OH[39]	10 kA	SO1020M100S	1	HOM2100	100 A	10	20	10	80 A	A	6-1	8-4	20, 42
200 A	None	OH[39]	22 kA	SO2040M200S	1	QOM2200VH	200 A	20	40	20	200 A	A	6-350	8-2/0	43, 21
200 A	None	OH/UG	22 kA	SC3040M200S	1	QOM2200VH	200 A	30	40	10	200 A	A-L	4-250	8-2/0	50, 10
				SC40M200S	1	QOM2200VH	200 A	40	40	0	200 A	A-L	4-250	8-2/0	52, 10
REVERSE All-In-One—Semiflush Mount with Service Disconnect (outdoor access) and Load Center (indoor access)															
200 A	None	UG	10 kA	SU3040M200R	1	QOM2200VH	200 A	30	40	10	200 A [34]	A or B30-0	6-300	12-1/0	60, 15
225 A	None	UG	10 kA	SU3040M225R	1	QOM2225VH	225 A								
Ringless, Homeline															
Surface Mount Only															
100 A	None	OH/UG [39]	10 kA	RC1624M100S	1	HOM2100	100 A	16	24	8	100 A	A	6-2/0	6-2/0	32, 24
125 A	None	OH/UG [39]	10 kA	RC1624M125S	1	HOM2125	125 A								
125 A	Horn	OH/UG[39]	22 kA	RC2040M125SH [40] [41]	1	QOM2125VH	125 A	20	40	20	125 A	A	6-350	8-2/0	43, 21
125 A	Horn	OH/UG[39]	22 kA	RC2040M125CH [40] [42]	1	QOM2125VH	125 A	20	40	20	125 A				40, 21
	Horn	OH/UG[39]	22 kA	RC2040M150SH [40] [41]	1	QOM2150VH	150 A	20	40	20	150 A				43, 21
150 A	Horn	OH/UG[39]	22 kA	RC2040M150CH [40] [42]	1	QOM2150VH	150 A	20	40	20	150 A				40, 21
	Lever	OH/UG[39]	22 kA	RC3040M150SL [43]	1	QOM2150VH [33]	200 A	30	40	10	150 A				76 / 12
	None	OH/UG[39]	22 kA	RC2040M200S [40] [41]	1	QOM2200VH	200 A	20	40	20	200 A				43, 21
	None	OH/UG[39]	22 kA	RC2040M200C [40]	1	QOM2200VH	200 A	20	40	20	200 A				40, 21
200 A	Horn	OH/UG[39]	22 kA	RC2040M200SH [40] [41]	1	QOM2200VH	200 A	20	40	20	200 A				43, 21
	Horn	OH/UG[39]	22 kA	RC2040M200CH [40]	1	QOM2200VH	200 A	20	40	20	200 A				40, 21
	Lever	OH/UG[39]	22 kA	RC3040M200SL [43]	1	QOM2200VH [33]	200 A	30	40	10	200 A				76 / 12
	None	OH/UG[39]	22 kA	RC2040M200CGP	1	QOM2200VH	200 A	20	40	20	200 A				48 / 21
Ringless, QO															
Surface Mount Only															
150 A	Horn	OH/UG[39]	22 kA	QC2442M150SH [40] [41]	1	QOM2150VH	150 A	24	42	18	150 A	A	6-350	8-2/0	43, 21
	None	OH/UG[39]	22 kA	QC2442M200S [40] [41]	1	QOM2200VH	200 A	24	42	18	200 A				43, 21
	None	OH/UG[39]	22 kA	QC2442M200C [40]	1	QOM2200VH	200 A	24	42	18	200 A				40, 21
200 A	Horn	OH/UG[39]	22 kA	QC2442M200SH [40] [41]	1	QOM2200VH	200 A	24	42	18	200 A				43, 21
	Horn	OH/UG[39]	22 kA	QC2442M200CH [40] [42]	1	QOM2200VH	200 A	24	42	18	200 A				40, 21
	None	OH/UG[39]	22 kA	QC3040M200S [41]	1	QOM2200VH	200 A	30	40	10	200 A				40, 21
200 A	Hom	OH/UG[39]	22 kA	QC3040M200SH [41]	1	QOM2200VH	200 A	30	40	10	200 A				40, 21

[31] To order branch circuit breakers, see QO Plug-On Circuit Breakers, page 1-10

[32] To order hubs, see Accessories and Hubs for CSEDs, page 1-33

[33] 125 A Homeline™ 2P circuit breaker can be installed in top position only. All other positions are limited to 100 A max.

[34] Use only 15-110 A and 150-200 A circuit breakers.

[35] Convertible to semiflush with SC200F flange kit (order separately).

[36] Suitable for OH service with addition of tunnel kit (SCTK20). Order separately.

[37] Suitable for OH service with addition of tunnel kit (SCTK30). Order separately.

[38] For use with Photovoltaic Systems. Provisions for field-installed CT. If required by adopted code, order retaining kit PK2SCPV separately, see Table 1.70 Accessories, page 1-33.

[39] Device does not meet EUSERC Specifications.

[40] Device supplied with barrel lock provisions factory-installed.

[41] Suitable for load wires to exit top endwall with addition of Tunnel Kit OHBS, (see Table 1.70 Accessories, page 1-33, check with local utility for approval.

[42] 5th jaw factory-installed.

[43] Suitable for load wires to exit top endwall with addition of Tunnel Kit OHBL, (see Table 1.70 Accessories, page 1-33, check with local utility for approval.

Meter Mains and All-in-Ones (300–400 A Devices)

Meter Mains and All-in-Ones

- Ring or ringless type meter socket designs available
- UL Listed, suitable **only** for use as service equipment
- Meets EUSERC standards where indicated.

- Service disconnects are supplied factory-installed, except where noted
- Supplied with 100% branch neutrals; all unused terminals may be used for equipment grounding wires
- Meets Federal Specification W-P-115c as Type 1, Class 2

Meter Mains: Meets Federal Specification W-P-115c as Type 1, Class 2, UL Listed, suitable only for use as service equipment, 120/240 Vac, 1Ø3W, NEMA 3R Enclosure

Table 1.66: Meter Mains

Ampere Rating	Bypass Type	Service (Type of Feed)		Short Circuit Current Rating	Cat. No.	Service Disconnect(s) [44]			Load Center and Branch Circuit Breakers (Order separately [45])				Hub Type (Order separately [46])	Line Side Main Lugs AWG/kcmil (Al/Cu)	Service Ground Lug AWG/kcmil (Al/Cu)	Weight Each (Lbs) and Pallet Qty.
		UL	UL and EU-SERC			2P Circuits (Max.)	Type (Order separately [47])	Ampere Rating (Max.)	Max. Quantity		Ampere Rating Max.					
									Spaces	Circuits		Tandems				
Ring Type, QO																
Surface and Semiflush Mount [44]																
400 A	None	UG	UG	25 kA	CU12L400CN [48] CU12L400FN [48]	1	QDL22200 [49]	200 A	—	—	—	—	A-L	(2) Studs	4–250	98, 4
						1	QDL, QGL, QJL [50]	200 A	—	—	—	—				
						4	QO, QO-VH or QOH [51]	125 A [52]	—	—	—	—				
400 A	Class 320 Manual Bypass	UG	—	25 kA	CU12L400CB [48] [53] CU12L400FB [48] [53]	1	QDL22200 [49]	200 A	—	—	—	—	A-L	(2) Studs	4–250	98, 4
						1	QDL, QGL, QJL [50]	200 A	—	—	—	—				
						4	QO, QO-VH or QOH [51]	125 A [52]	—	—	—	—				
400 A	None	UG	UG	25 kA	CU816D400CN [48] [54]	1	QDL22200 [49]	200 A	8	16	8	200 A	A-L	(2) Studs	4–250	98, 4
400 A	Class 320 Manual Bypass	UG	—	25 kA	CU816D400CB [48] [52] [53]	1	QDL, QGL, QJL [50]	200 A	—	—	—	200 A	A-L	(2) Studs	4–250	98, 4
400 A	Class 320 Manual Bypass	UG	—	65 kA [44]	CUM400CB [48] [53]	1	LJL36400U31X [49]	400 A	—	2 [55]	—	200 A	A-L	(2) Studs	4–250	115, 4
Ringless Type, QO																
400 A	Class 320 Lever	UG	—	25 kA	QU12L400SL [56] [53]	1	QDL22200 [49]	200 A	—	—	—	—	A-L	(2) Studs	4–250	98, 4
						1	QDL, QGL, QJL [50]	200 A	—	—	—	—				
						4	QO, QO-VH or QOH [51]	125 A [52]	—	—	—	—				
Surface Mount Only, Supplied with Feed-Thru Lugs and Provisions for Branch Circuit Breakers																
400 A	[57]	UG	—	25 kA	QU816D400SL [52] [56] [53] QU816D400CK [54] [53]	1	QDL22200 [49]	200 A	8	16	8	200 A	A-L	(2) Studs	4–250	98, 4
400 A	Class 320 Lever	UG	—	25 kA	QU12L400CL [56] [58] [53]	1	QDL22200 [49]	200 A	—	—	—	—	A-L	(2) Studs	4–250	98, 4
						1	QDL, QGL, QJL [50]	200 A	—	—	—	—				
						4	QO, QO-VH or QOH [51]	125 A [52]	—	—	—	—				
400 A	Class 320 Lever	UG	—	25 kA	QU816D400CL [56] [52] [58] [53] QU816D400FL [56] [52] [58] [53]	1	QDL22200 [49]	200 A	8	16	8	200 A	A-L	(2) Studs	4–250	98, 4
400 A	Class 320 Lever	UG	—	65 kA [44]	QUM400CL [56] [53]	1	LJL36400U31X [49]	400 A	—	2 [55]	—	200 A	A-L	(2) Studs	4–250	120, 4
400 A	K-4 Bolt-On	UG	—	65kA [44]	QUM400CK [48] [53]	1	LJL36400U31X [49]	400 A	—	2 [55]	—	200 A	A-L	(2) Studs	4–250	123, 4
400 A	None															

[44] UL short circuit current rating is equal to the lowest interrupting rating of any circuit breaker installed.
 [45] To order branch circuit breakers, see QO Plug-On Circuit Breakers, page 1-10
 [46] To order hubs, see Accessories and Hubs for CSEDs, page 1-33
 [47] To order service disconnects, see Circuit Breakers for CSEDs, page 1-32 except as noted)
 [48] For use only on 120/240 Vac 1Ø3W system (4-jaw meter socket).
 [49] Service disconnect supplied factory-installed.
 [50] Additional service disconnect for field-installation: order prefix QBL at 10 kA, QDL at 25 kA, QGL at 65 kA, or QJL at 100 kA. Order separately. For complete circuit breaker catalog number, see Digest Section 7.
 [51] Order two pole circuit breakers for field installation: order catalog designation QO for 10 kA, QO-VH for 22 kA or QOH for 42 kA short circuit current rating. See Table 1.18 Plug-On Circuit Breakers, page 1-10 or Table 1.68 Circuit Breakers for use with Meter Mains and All-in-One Devices, page 1-32.
 [52] QO panel is rated 200 A maximum.
 [53] Device configuration is not included in EUSERC standards. Consult applicable utility for acceptance.
 [54] Supplied with load side feed-thru lugs for 6 AWG–250 kcmil (Al/Cu) conductors.
 [55] Option for field installation of two Q-frame, 200 A max. 2-pole branch circuit breakers used as mains for two downstream load centers. Purchase installation kit BMK2Q400 and two Q-frame circuit breakers separately. Order QBL prefix at 10 kA, QDL prefix at 25 kA, or QGL prefix at 65 kA.
 [56] Fifth jaw factory-installed.
 [57] Device with suffix L has Class 320 lever bypass and device with suffix K has a K-4 bolt-on, no bypass.
 [58] Knockout provided in cover for use with barrel lock kit SCBRLOCK (see Table 1.70 Accessories, page 1-33).

Table 1.67: All-in-One Combination Service Entrance Devices

Surface and Semiflush Mount ^[59]																
Ring Type, Homeline																
300 A	Class 320 Manual	UG	—	25 kA	SU3040D300CB ^{[60][61]} [62]	1	QDL22200 ^[63] QDL, QGL, QJL ^[64]	200 A 100 A	30	40	10	200 A	A-L	(2) Studs	4-250	100, 4
					SU3040D300FB ^{[60][61]} [62]	1										
400 A	None	UG	UG	25 kA	SU3040D400CN ^{[60][61]} [62]	1	QDL22200 ^[63] QDL, QGL, QJL ^[64]	200 A 200 A	30	40	10	200 A	A-L	(2) Studs	4-250	100, 4
					SU3040D400FN ^{[60][61]} [62]	1										
400 A	Class 320 Manual	UG	—	25 kA	SU3040D400CB ^{[60][61]} [62]	1	QDL22200 ^[63] QDL, QGL, QJL ^[64]	200 A 200 A	30	40	10	200 A	A-L	(2) Studs	4-250	100, 4
					SU3040D400FB ^{[60][61]} [62]	1										
Ringless, Homeline																
400 A	Class 320 Lever	UG	—	25 kA	RU3040D400CL ^{[61][65]} [62]	1	QDL22200 ^[63] QDL, QGL, QJL ^[64]	200 A 200 A	30	40	10	200 A	A-L	(2) Studs	4-250	100, 4
					RU3040D400FL ^{[61][65]} [62]	1										
400 A	K-4 Bolt-on	UG	—	25 kA	RU3040D400CK ^{[61][62]} [62]	1	QDL22200 ^[63] QDL, QGL, QJL ^[64]	200 A 200 A	30	40	10	200 A	A-L	(2) Studs	4-250	100, 4
					RU3040D400FK ^{[61][62]} [62]	1										

Circuit Breakers for CSEDs

Table 1.68: Circuit Breakers for use with Meter Mains and All-In-One Devices

Ampere Rating ^[66]	Type: HOM, 1P	Type: HOM, 2P	Type: QO, 1P	Type: QO, 2P	Type: QO-VH, 1P	Type: QO-VH, 2P
	Cat. No. (DE3D)	Cat. No. (DE3D)	Cat. No. (DE2A)	Cat. No. (DE2A)	Cat. No. (DE2A)	Cat. No. (DE2A)
10	—	—	QO110	—	—	—
15	HOM115	—	QO115	—	QO115VH	—
20	HOM120	—	QO120	—	QO120VH	—
25	HOM125	—	QO125	—	QO125VH	—
30	HOM130	HOM230	QO130	QO230	QO130VH	QO230VH
35	—	HOM235	QO135	QO235	—	—
40	HOM140	HOM240	QO140	QO240	—	QO240VH
45	—	HOM245	QO145	QO245	—	—
50	HOM150	HOM250	QO150	QO250	—	QO250VH
60	—	HOM260	QO160	QO260	—	QO260VH
70	—	HOM270	QO170	QO270	—	QO270VH
80	—	HOM280	—	QO280	—	QO280VH
90	—	HOM290	—	QO290	—	QO290VH
100	—	HOM2100	—	QO2100	—	QO2100VH
110	—	HOM2110	—	QO2110	—	QO2110VH
125	—	HOM2125	—	QO2125	—	QO2125VH
150	—	HOM2150BB	—	QO2150	—	QO2150VH
175	—	HOM2175BB	—	QO2175	—	QO2175VH
200	—	HOM2200BB	—	QO2200	—	QO2200VH

Ampere Rating ^[66]	Type: QOM1-VH, 2P	Type: QOM2-VH, 2P	Type: QDL, 2P ^[67]
	Cat. No. (DE3D)	Cat. No. (DE3D)	Cat. No. (DE2A)
50	QOM50VH ^[68]	—	—
60	QOM60VH	—	—
70	QOM70VH	—	QDL22070
80	QOM80VH	—	QDL22080
90	QOM90VH	—	QDL22090
100	QOM100VH	QOM2100VH	QDL22100
110	QOM110VH	—	QDL22110
125	QOM125VH	QOM2125VH	QDL22125
150	—	QOM2150VH	QDL22150
175	—	QOM2175VH	QDL22175
200	—	QOM2200VH	QDL22200
225	—	QOM225VH	—

^[59] UL short circuit current rating is equal to the lowest interrupting rating of any circuit breaker installed.
^[60] For use only on 120/240 Vac 1Ø3W system (4-jaw meter socket).
^[61] Knockout provided in cover for use with barrel lock kit SCBRLLLOCK (see Accessories).
^[62] Device configuration is not included in EUSERC standards. Consult applicable utility for acceptance.
^[63] Service disconnect supplied factory-installed.
^[64] Additional service disconnect for field-installation: order prefix QBL at 10 kA, QDL at 25 kA, QGL at 65 kA, or QJL at 100 kA. Order separately. For complete circuit breaker catalog number, see Digest Section 7.
^[65] 5th jaw factory-installed.
^[66] Do not exceed mains rating of device.
^[67] For additional interrupting rating circuit breakers, order circuit breaker prefix QBL at 10 kA, QGL at 65 kA or QJL at 100 kA.
^[68] Reference National Electrical Code Article 230-79.

Table 1.69: Hubs and Closing Plates

Hub Series	Conduit Size (Inches)	Cat. No.	Disc. Sch.
Closing Plate for "A" Hub opening			
A	1.00	A100	DE4
	1.25	A125	DE4
	1.50	A150	DE4
	2.00	A200	DE4
	2.50	A250	DE4
Adapter plate to allow use of "A" Hubs on "A-L" size hub openings		AAP	DE4
Closing Plate for "A-L" Hub opening			
A-L	2.00	A200L [69]	DE4
	2.50	A250L	DE4
	3.00	A300L	DE4
	3.50	A350L	DE4
	4.00	A400L	DE4
Closing Plate for "B" Hub opening			
B	0.75	B075	DE1A
	1.00	B100	DE1A
	1.25	B125	DE1A
	1.50	B150	DE1A
	2.00	B200	DE1A
	2.50	B250	DE1A
B300	3.00	B300	DE1A

Accessories and Hubs for CSEDs

Table 1.70: Accessories

Description	Cat. No.	Disc. Sch.
Generator Kit: Interlocks main service disconnect and generator circuit breaker (order separately). For : Homeline™ CSED Devices RC816F-, RC2040M-, SO2040M- containing suffix -C or -CH QO CSED Devices QC816F-, QC2442M- containing suffix -C or -CH	RCGK2 QCGK3	DE4 DE4
Backfed inverter circuit breaker retaining kit for SC2636M200FPV and SC2636M225FPV	PK2SCPV	DE4
Fifth Jaw Kit for: Meter Main Types: C, RC, SC, QC All-In-One Types: SC, SU (100–225 A), QC, RC, SO	5J	DE4
Bypass (Horn Type) for Ringless Type Meter Mains and All-In-Ones (100–200 A) (except for RC8L125S, RC1624M100S and RC1624M125S—use RCHB).	MMHB	DE4
Lexan Meter Socket Cover Plate for: Ring and Ringless Type Meter Mains Ring and Ringless Type All-In-Ones	29007	DE4
Meter Socket Sealing Rings for Ring Type Meter Mains and All-In-Ones: Snap Type Aluminum (Std.) Screw Type Aluminum Snap Type Stainless Steel	2920910001 29008W ARPO0026	DE5 DE4 DE4
Anti-Inversion Kit . For use ONLY on 400 A Meter Mains and All-In-Ones with lever bypass.	MMLRK	DE4
Trim Kit for 2 in. X 6 in. stud wall, used with Reverse All-In-Ones, SU3040M200R, and SU3040M225R	SU2X6TRIM	DE4
Barrel Lock Kit (Barrel Lock not included), supplied with bracket and mounting screw, refer to listings for where used.	SCBRLLOCK	DE4
Semiflush Flange Kit for: Meter Mains: SC816D150/200C and RC816D200CH All-In-Ones: SC2040M200C	SC200F	DE4
Semiflush Flange Kit for ring- and ringless-type Meter Mains and All-In-Ones (400 A Only)	FK400	DE4
Ringless Type Utility Cover for RU3040D400CL/FL, QU12L400CL/FL, and QU816D400CL/FL. Includes one piece meter socket and pull box cover with handles and closing plate.	R400L	DE4
Lug Kit includes (4) lugs, for use with 2 AWG–600 kcmil Al/Cu conductors. Lugs are for standard 2-Hole mounting. Meter Main and All-In-One units supplied with (2) studs per phase and neutral will accept one lug per phase and neutral. Not for use on 400 A devices with "K" suffix.	CMELK4	DE4
Branch Circuit Breaker Field Installation Kit for two Q-Frame Circuit Breakers (QBL, QDL, or QGL, order separately). For CUM400CB, QUM400CL or QUM400CK - includes (2) mounting pans, (4) wires.	BMK2Q400	DE4
Overhead Feed Trough for 400 A ring- and ringless-type Meter Mains and All-In-Ones.	OCK400	DE4
Touch-Up Paint (ASA49 Gray)	PK49SP	DE1
Ground Bar Kit, Meter Mains and All-In-Ones QC, RC, and SC (100–225 A)	PK15GTA	DE3A
Filler Plate for: Meter Main Types: QC, CU All-In-One Types: QC	QOFP	DE3A
Filler Plate for: Meter Main Types: RC, SC All-In-One Types: SC, RC, SU	HOMFP	DE3A
Neutral Lug (6-2/0 AWG) for: Meter Main Types: RC, SC, QC All-In-One Types: SC, SU, QC, RC	LK100AN	DE3A
Overhead Barrier Tunnel Kit for Ringless & Horn Bypass in RC/QC Devices	OHBS	DE4
Overhead Barrier Tunnel Kit for Lever Bypass RC/QC Devices	OHBL	DE4

[69] Supplied with AAP adapter plate and "A" hub.

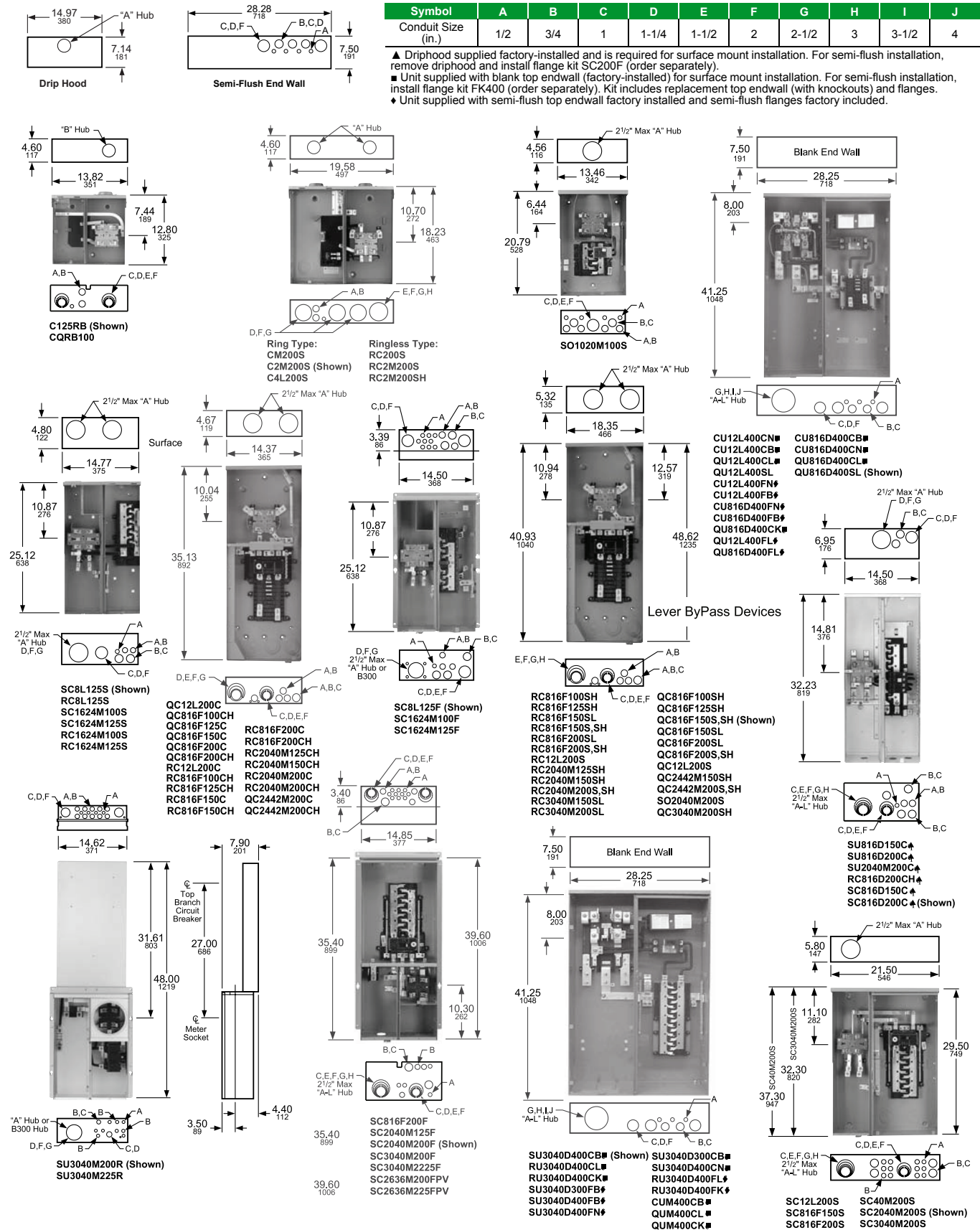
Dimensions for CSEDs

Table 1.71: Knockouts

Symbol	A	B	C	D	E	F	G	H	I	J
Conduit Size (in.)	1/2	3/4	1	1-1/4	1-1/2	2	2-1/2	3	3-1/2	4

▲ Drip hood supplied factory-installed and is required for surface mount installation. For semi-flush installation, remove drip hood and install flange kit SC200F (order separately).
 ■ Unit supplied with blank top end wall (factory-installed) for surface mount installation. For semi-flush installation, install flange kit FK400 (order separately). Kit includes replacement top end wall (with knockouts) and flanges.
 ◆ Unit supplied with semi-flush top end wall factory installed and semi-flush flanges factory included.

LOAD CENTERS



Meter Mains and All-In-Ones

- Ringless Meter Sockets with barrel lock provisions factory installed except for Cat. No. SO2040M200SS which is a Ring Style meter socket with no provisions for barrel lock to secure the meter cover
- UL Listed, suitable only for use as service equipment
- Service disconnect(s) are supplied factory-installed, except where noted
- Supplied with 100% branch neutrals, all unused terminals may be used for equipment grounding wires
- Meets Federal Specification W-P-115c as Type 1, Class 2
- All devices have a 3" KO in the bottom endwall
- Provisions for Field Installed CTs All Devices
- Solar Ready kit SR69064A fits All Devices Below, order from Table 1.66

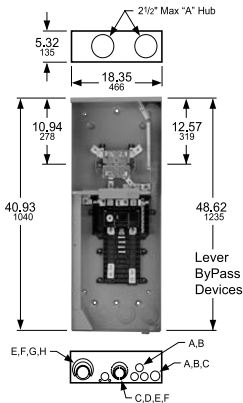
Table 1.72: All-In-One Combination Service Entrance Devices

	Ampere Rating	Bypass Type	Service Type	Short Circuit Current Rating	Cat. No.	Service Disconnect(s)			Load Center and Branch Circuit Breakers (Order Separately [1])				Hub Type (Order Separately [2])	Line Side Main Lugs AWG/kcmil (Al/Cu)	Service Ground Lug AWG/kcmil (Al/Cu)
						2P Circuits (Max.)	Type (Factory Installed except where noted)	Ampere Rating	Max. Quantity			Ampere Rating Max.			
									Spaces	Circuits	Tandems				
Meter Mains [3]															
Surface Mount Only															
Surface Mount—Supplied with Feed-Thru Lugs and Provisions for Branch Circuit Breakers															
QO	150 A	None	OH/UG	22 kA	QC816F150SS [4] [5]	1	QOM2150VH	150 A	8	16	8	150 A	A	350	8–2/0
		Lever	OH/UG	22 kA	QC816F150SLS [4] [6]	1	QOM2150VH	150 A	8	16	8	150 A			
	200 A	None	OH/UG	22 kA	QC816F200SS [4] [5]	1	QOM2200VH	200 A	8	16	8	200 A			
		Lever	OH/UG	22 kA	QC816F200SLS [4] [6]	1	QOM2200VH	200 A	8	16	8	200 A			
Surface Mount—Supplied with Feed-Thru Lugs and provisions for Branch Circuit Breakers															
Homeline	150 A	None	OH/UG	22 kA	RC816F150SS [4] [5]	1	QOM2150VH	150 A	8	16	8	150 A	A	6-350	8–2/0
		Lever	OH/UG	22 kA	RC816F150SLS [4] [6]	1	QOM2150VH	150 A	16	8	150 A	A	6-350	8–2/0	
	200 A	None	OH/UG	22 kA	RC816F200SS [4] [5]	1	QOM2200VH	200 A	8	16	8	200 A	A	6-350	8–2/0
		Horn	OH/UG	22 kA	RC816F200SHS [4] [7] [5]	1	QOM2200VH	200 A	8	16	8	200 A	A	6-350	8–2/0
	Lever	OH/UG	22 kA	RC816F200SLS [4] [6]	1	QOM2200VH	200 A	16	8	200 A	A	6-350	8–2/0		
All-in-One Combination Service Entrance Devices [3]															
Surface Mount Only															
QO	200 A	None	OH/UG	22 kA	QC2442M200SS [5]	1	QOM2200VH	200 A	24	42	18	200 A	A	6-350	8–2/0
		Horn	OH/UG	22 kA	QC2442M200SHS [7] [5]	1	QOM2200VH	200 A	24	42	18	200 A	A	6-350	8–2/0
Homeline	150 A	Horn	OH/UG	22 kA	RC2040M150SHS [7] [5]	1	QOM2150VH	150 A	20	40	20	150 A	A	6-350	8–2/0
		Lever	OH/UG	22 kA	RC3040M150SLS [6]	1	QOM2150VH	150 A	30	40	10	150 A	A	6-350	8–2/0
	200 A	None	OH/UG	22 kA	RC2040M200SS [5]	1	QOM2200VH	200 A	20	40	20	200 A	A	6-350	8–2/0
		Horn	OH/UG	22 kA	RC2040M200SHS [7] [5]	1	QOM2200VH	200 A	20	40	20	200 A	A	6-350	8–2/0
		None	OH	22 kA	SO2040M200SS [5]	1	QOM2200VH	200 A	20	40	20	200 A	A	6-350	8–2/0
		Lever	OH/UG	22 kA	RC3040M200SLS [6]	1	QOM2200VH	200 A	30	40	10	200 A	A	6-350	8–2/0

* Kit is to be installed between meter socket and Main Disconnect. May be used with Solar PV, Wind, fuel generators, and other power generation sources up to 80% of Mains Rating Maximum 160 A.

Table 1.73: Knockouts

Symbol	A	B	C	D	E	F	G	H	I	J
Conduit Size (in.)	1/2	3/4	1	1-1/4	1-1/2	2	2-1/2	3	3-1/2	4



- RC816F150SS
- RC816F200SS
- RC816F200SHS
- QC816F150SS
- QC816F200SS
- RC2040M150SHS
- RC2040M200SS
- RC2040M200SHS
- SO2040M200SS
- QC2442M200SS
- QC2442M200SHS
- QC816F150SLS
- RC816F150SLS
- RC3040M150SLS
- QC816F200SLS
- RC816F200SLS
- RC3040M200SLS

Table 1.74: All-in-One Combination Service Entrance Devices—Plug on Neutral

Main Breaker	Bus Bar Ampere Rating	Bypass Type	Service Type	Short Circuit Current Rating	Cat. No.	Service Disconnect(s)			Load Center and Branch Circuit Breakers (Order Separately)				Hub Type (Order Separately)	Line Side Main Lugs AWG/kcmil (Al/Cu)	Service Ground Lug AWG/kcmil (Al/Cu)
						2P Circuits (Max.)	Type (Factory Installed except where noted)	Ampere Rating	Max. Quantity			Ampere Rating Max.			
									Spaces	Circuits	Tandems				
Homeline Surface Mount Only															
200 A	200 A	None	OH/UG	22 kA	RC3042M200PS [5]	1	QOM2200VH	30	42	12	200 A	A	6-350	12–2/0	

[1] To order load centers and branch circuit breakers, see QO Plug-On Circuit Breakers, page 1-10 and Homeline Plug-On Circuit Breakers, page 1-21
 [2] See Bolt-On Hubs, page 1-26
 [3] Solar Ready Kit Part Number SR69064A * (This Kit Fits All Solar Ready Devices)
 [4] Supplied with load side feed-thru lugs, for 4AWG-250 kcmil Al/Cu conductors.
 [5] Suitable for load wires to exit top endwall with addition of Tunnel Kit OHBS. See (see Table 1.70 Accessories, page 1-33, check with local utility for approval.
 [6] Suitable for load wires to exit top endwall with addition of Tunnel Kit OHBL. See (see Table 1.70 Accessories, page 1-33, check with local utility for approval.
 [7] Device supplied with horn bypass and 5th jaw factory installed

Homeline Solar Ready PoN CSEDs

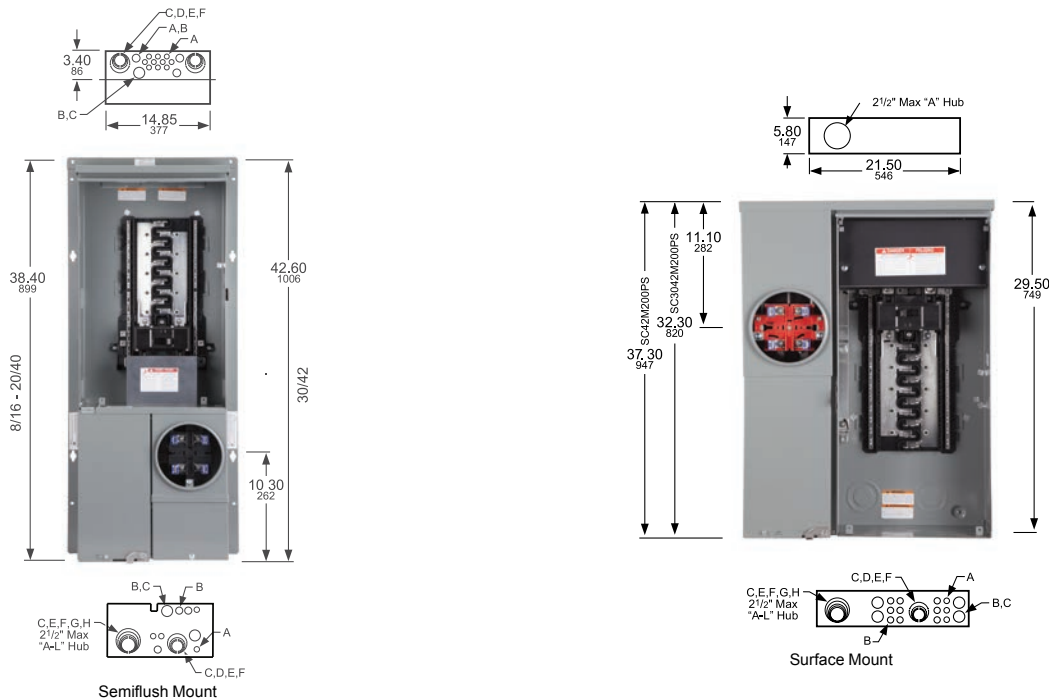
- Ring-type Meter Sockets
- UL Listed, suitable only for use as service equipment
- Service disconnect(s) are supplied factory-installed, except where noted
- Interiors accept plug-on neutral and pigtail style branch circuit breakers
- Supplied with a fully distributed neutral bar, all unused terminals may be used for equipment grounding wires
- Meets Federal Specification W-P-115c as Type 1, Class 2
- Solar Ready kit SR69064A fits all devices below
- All devices have a 3" KO in the bottom endwall
- Provisions for field installed CTs on All devices
- Meets EUSERC requirements

Table 1.75: All-In-One Combination Service Entrance Devices

Main Breaker	Bus Bar Ampere Rating	Bypass Type	Service Type	Short Circuit Current Rating	Cat. No. [1]	Service Disconnect(s)		Load Center and Branch Circuit Breakers (Order Separately Pages 1-2, 1-3, 1-4)				Hub Type (Order Separately [2])	Line Side Main Lugs AWG/kcmil (Al/Cu)	Service Ground Lug AWG/kcmil (Al/Cu)	
						2P Circuits (Max.)	Type (Factory Installed except where noted)	Max. Quantity			Ampere Rating Max.				
								Spaces	Circuits	Tandems					
Semiflush Mount Only															
200 A	225 A	None	OH[3]/UG	22 kA	SC816F200PF [4]	1	QOM2200VH	8	16	8	200 A	A-L	4-250	8-2/0	
125 A		None	OH[3]/UG	22 kA	SC2040M125PF	1	QOM2125VH	20	40	20	110 A				
200 A		None	OH[3]/UG	22 kA	22 kA	SC2040M200PF	1	QOM2200VH	20	40	20				200 A
		None	OH[5]/UG	22 kA	22 kA	SC3042M200PF	1	QOM2200VH	30	42	12				200 A
225 A		None	OH[5]/UG	22 kA	22 kA	SC3042M225PF	1	QOM2225VH	30	42	12				200 A
Surface Mount Only															
150 A	225 A	None	OH/UG	22 kA	SC816F150PS [4]	1	QOM2150VH	8	16	8	150 A	A-L	4-250	8-2/0	
200 A		None	OH/UG	22 kA	22 kA	SC816F200PS [4]	1	QOM2200VH	8	16	8				200 A
		None	OH/UG	22 kA	22 kA	SC2040M200PS	1	QOM2200VH	20	40	20				200 A
		None	OH/UG	22 kA	22 kA	SC3042M200PS	1	QOM2200VH	30	42	12				200 A
		None	OH/UG	22 kA	22 kA	SC42M200PS	1	QOM2200VH	42	42	0				200 A

Table 1.76: Knockouts

Symbol	A	B	C	D	E	F	G	H	I	J
Conduit Size (in.)	1/2	3/4	1	1-1/4	1-1/2	2	2-1/2	3	3-1/2	4



[1] Accepts Solar Ready Kit Part Number SR69064A. Check with local utility for approval and order separately.
 [2] See Bolt-On Hubs, page 1-26
 [3] Suitable for OH service with addition of tunnel kit (SCTKP20). Check with local utility for approval and order separately.
 [4] Supplied with load side feed-thru lugs, for 4AWG-250 kcmil Al/Cu conductors.
 [5] Suitable for OH service with addition of tunnel kit (SCTKP30). Check with local utility for approval and order separately.

1Ø3W—120/240 Vac—240 Vac—UL Listed

Table 1.77: Enclosed Molded Case Switch, Switch Included, Does NOT provide overcurrent protection

Service	Ampere Rating	General Purpose	Rainproof	Box No. [1]
240 Vac	60 A [2] [3]	QO260NATS	QO200TR	2, 9R [4]
			QO200TRNM	1NM
			QO260NATR	1R
120/240 Vac	100 A [5]	QO2000NS	QO2000NRB	13, 10R



QO200TRNM

Table 1.78: Housing Bracket

Description	Cat. No.
Bracket used with QO200TR for stucco, aluminum and vinyl siding. (This item is obsolete)	PKHB

Table 1.79: Enclosed GFCI Circuit Breakers, GFCI Circuit Breaker Included—10 kA Short Circuit Current Rating

Service	Ampere Rating	Type 3R—Rainproof	Circuit Breaker Included	Box No. [1]
120/240 Vac	50 A	QOE250GFINM HOME250SPA	QO250GFI HOM250GFI	1NM (Non-metallic) 1R (Metallic)



QO3100BNF
With Cover Removed

Table 1.80: 2-Pole Circuit Breaker Enclosures—22 kA Short Circuit Current Rating

Service [6]	Ampere Rating	General Purpose [7]	Rainproof	Box No. [1]
120/240 Vac	100 A 125 A	QO2100BNF/S QO2125BNF/S	QO2100BNRB QO2125BNRB	13, 10R 18, 13R
240 Vac	100 A	QO3100BNF/S	QO3100BNRB	13, 10R

60A Max. Circuit Breaker Enclosures—10 kA Short Circuit Current Rating
Circuit breaker not included. Order separately from **QO Plug-On Circuit Breakers**, page 1-10. Will not accept QO-GFI circuit breaker nor QO circuit breakers with factory-installed accessories.

240 Vac	60 A [2]	—	QO2TR	9R [4]
---------	----------	---	-------	--------

Table 1.81: Q Frame Enclosures and Q Frame Circuit Breakers

Service	Enclosure Only [8]			Circuit Breaker (Order Separately)				
	Type 1—General Purpose [7]	Type 3R—Rainproof	Box No. [1]	Ampere Rating	10 k AIR	25 k AIR	65 k AIR	100 k AIR
 2P 240 Vac Maximum	Q22200NS [9] or Q23225NF/S	Q22200NRB [9] or Q23225NRB	19, 11R 20, 12R	70 A	QBL22070	QDL22070	QGL22070	QJL22070
				80 A	QBL22080	QDL22080	QGL22080	QJL22080
				90 A	QBL22090	QDL22090	QGL22090	QJL22090
				100 A	QBL22100	QDL22100	QGL22100	QJL22100
				110 A	QBL22110	QDL22110	QGL22110	QJL22110
				125 A	QBL22125	QDL22125	QGL22125	QJL22125
				150 A	QBL22150	QDL22150	QGL22150	QJL22150
				175 A	QBL22175	QDL22175	QGL22175	QJL22175
				200 A	QBL22200	QDL22200	QGL22200	QJL22200
				225 A	QBL22225	QDL22225	QGL22225	QJL22225
 3P 240 Vac	Q23225NF/S	Q23225NRB	20, 12R	70 A	QBL32070	QDL32070	QGL32070	QJL32070 [10]
				80 A	QBL32080	QDL32080	QGL32080	QJL32080 [10]
				90 A	QBL32090	QDL32090	QGL32090	QJL32090 [10]
				100 A	QBL32100	QDL32100	QGL32100	QJL32100 [10]
				110 A	QBL32110	QDL32110	QGL32110	QJL32110 [10]
				125 A	QBL32125	QDL32125	QGL32125	QJL32125 [10]
				150 A	QBL32150	QDL32150	QGL32150	QJL32150 [10]
				175 A	QBL32175	QDL32175	QGL32175	QJL32175 [10]
				200 A	QBL32200	QDL32200	QGL32200	QJL32200 [10]
				225 A	QBL32225	QDL32225	QGL32225	QJL32225 [10]

[1] See Table 1.57 Knockout Information, page 1-24

[2] Not suitable for service equipment.

[3] Maximum 10 hp 240 Vac.

[4] Top endwall has no hub opening.

[5] Maximum 20 hp 240 Vac.

[6] Not for use with one pole QO circuit breakers. Circuit breakers not included. Order QO type circuit breakers separately from pages 1-2 and 1-3. Accepts QO circuit breakers with factory-installed accessories. Order equipment ground bar PKOGTA2, if required.


[7] Order F for flush, S for surface.

[8] Factory-installed groundable neutral assembly includes (2) ground lugs and (2) neutral lugs. Equipment ground kit PKOGTA2 also included.

[9] Accepts 200 A max. 2P Q Frame circuit breakers.

[10] Equipment ground bar kit PKOGTA2 factory-included.

Table 1.82: QOM2 Enclosures and QOM2 Circuit Breakers

Service	Enclosure Only [11]			QOM2 Circuit Breaker (Order Separately) [12]	
	Type 1 General Purpose [13]	Type 3R Rainproof	Box No. [14]	Ampere Rating	22 k AIR
	Cat. No.	Cat. No.			Cat. No. [15]
 2P 240 Vac Maximum	QOM22225NF/S	QOM22225NRB	22, 16R	100 A	QOM2100VH
				125 A	QOM2125VH
				150 A	QOM2150VH
				175 A	QOM2175VH
				200 A	QOM2200VH
			225 A	QOM2225VH	



QOM22225NS
With Cover Removed



Q22200NS
With Cover Removed



Q23225NF

(Order Q-Frame circuit breaker separately)

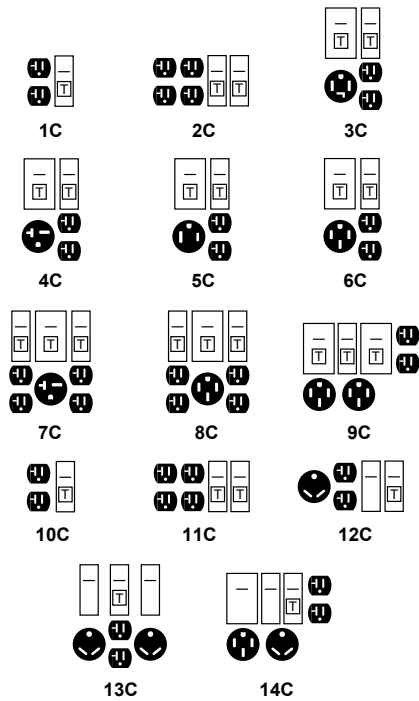
[11] Equipment ground bar kit PKOGTA2 factory-included.

[12] Add suffix 1021 for 120, 208 or 240 Vac shunt trip.

[13] Order F for flush, S for surface.

[14] See Table 1.57 Knockout Information, page 1-24

[15] DE3A Discount Schedule.



Power Outlet Panels for Construction Sites

- Provide temporary power at construction sites.
- Each receptacle protected by QO-GFI circuit breaker in compliance with NEC® requirements.
- Each enclosure is rainproof.
- 10 kA short circuit current rating.
- UL Listed as suitable for use as temporary site service equipment.
- Provided with neutral bonding provisions.
- Boxes have provisions for type "B" hubs to be field-installed.

Table 1.83: Construction Site Panels

Power Outlet Configuration	Service [1]	Mains Ampere Rating	Circuit Breaker (Included)	Receptacles (Included)						Cat. No. [2]	Main Wire Size AWG [3]	
				A	C	D	E	F	Cu		Al	
1C	1Ø2W	40 A	(1) QO120GFI	1						PAK10C1	14-6	12-6
2C	1Ø2W	40 A	(2) QO120GFI	2						PAK11C [4]	14-6	12-6
3C	1Ø3W	70 A	(1) QO120GFI (1) QO230GFI	1			1			PAK31CGFI	8-1	8-1
4C	1Ø3W	70 A	(1) QO120GFI (1) QO220GFI	1		1				PAK36C1GFI	8-1	8-1
5C	1Ø3W	70 A	(1) QO120GFI (1) QO250GFI	1				1		PAK51CGFI	8-1	8-1
6C	1Ø3W	70 A	(1) QO120GFI (1) QO250GFI	1	1					PAK55CGFI	8-1	8-1
7C	1Ø3W	70 A	(2) QO120GFI (1) QO220GFI	2		1				PAK72CGFI	8-1	8-1
8C	1Ø3W	70 A	(2) QO120GFI (1) QO250GFI	2	1					PAK76CGFI	8-1	8-1
9C	1Ø3W	100 A	(1) QO120GFI (2) QO250GFI	1	2					PAK1004CGFI	14-1	12-1

Power Outlet Panels for Recreational Vehicle Parks

- Provide electrical power to individual recreational vehicle park sites.
- Each receptacle protected by appropriate GFI or Standard QO™ circuit breaker.
- All receptacles and circuit breakers included.
- 10 kA short circuit current rating.
- UL Listed.
- All enclosures are rainproof.
- No neutral bonding provisions.
- Loop-feed provisions.

Table 1.84: Recreational Vehicle Park Panels

Power Outlet Configuration	Service [1]	Mains Ampere Rating	Circuit Breaker (Included)	Receptacles (Included) [5]			Cat. No.	Main Wire Size AWG/kcmil [6]	
				A	B	C		Phase and Neutral	
Underground or Overhead Loop-Feed Terminals—Non-Pedestal [2] [7]									
11C	1Ø2W	40 A	(2) QO120GFI	2			PAK11CTG		
12C	1Ø2W	50 A	(1) QO120GFI (1) QO130	1	1		PAK41CTG [8]	14-6	12-6
			(2) QO130						12-1
14C	1Ø3W	100 A	(1) QO120GFI (1) QO250 (1) QO130	1	1	1	PAK75CTG (Not Loop Feed) [8]	14-1	12-1
Pedestal Mounted—Underground Loop-Feed Terminals [9] [10]									
11C	1Ø2W	40 A	(2) QO120GFI	2			PAK11PG		
12C	1Ø2W	50 A	(1) QO120GFI (1) QO130	1	1		PAK41PG [8]		
13C	1Ø2W	75 A	(1) QO120GFI (2) QO130	1	2		PAK61PG [8]	(2)6-250	(2)6-250
14C	1Ø3W	100 A	(1) QO120GFI (1) QO250 (1) QO130	1	1	1	PAK75PG [8]		

A		20 A 125 V 2W and Grd. NEMA 5-20R
B		30 A 125 V 2W and Grd ANSI 73.13
C		50 A 125/250 V 3W and Grd. NEMA 14-50R
D		20 A 250 V 2W and Grd. NEMA 6-20R
E		30 A 125/250 V 3W and Grd. NEMA 14-30R
F		50 A 250 V 2W and Grd. NEMA 6-50R

All non-pedestal devices have provisions to field-install a Type "B" hub on the bottom endwall for bottom feed from a conduit riser. Order Type "B" bolt-on hub (B250 Max.) and two mounting screws (Cat. No. 8002505501) and two hex nuts (Cat. No. 2340102000).

[1] (1Ø2W 120 Vac) (1Ø3W 120/240 Vac)
 [2] Devices have a bolt-on factory-installed closing cap. Order type "B" bolt-on hub separately from page 1-18.
 [3] Equipment ground terminal suitable for (2) 14 or 12 AWG Cu or (2) 12 or 10 AWG Al.
 [4] Receptacles in this device are in bottom endwall and are accessible with outer door padlocked. "Order Only" from Lexington—Minimum order quantity is 50 devices.
 [5] 20 A receptacles protected by 20 A GFI circuit breaker.
 [6] Two wires each per phase, neutral, and equipment ground—for loop feed (except PAK75CTG).
 [7] Equipment ground terminal suitable for (2) 14-12 AWG Cu or (2) 12-10 Al.
 [8] GFI circuit breaker can be substituted for standard 30 A circuit breaker. Add suffix "FI" to catalog number. Example: PAK41CTGFI.
 [9] Stabilizer foot available for use in unstable ground, order HNPSF
 [10] Equipment ground terminals suitable for (2) 10-2/0 AWG Cu or (2) 6-2/0 AWG Al.

