

# Product data sheet

Specifications



## Variable speed drive, Altivar Process ATV900, ATV930, 7,5 kW, 400/480 V, with braking unit, IP21

ATV930U75N4

**Product availability : Stock - Normally stocked in distribution facility**

**Price\* : 2,171.00 USD**

### Main

<b>Range of Product</b>	Altivar Process ATV900
<b>Device application</b>	Industrial Application
<b>Product or Component Type</b>	Variable speed drive
<b>Product destination</b>	Asynchronous motors Synchronous motors
<b>Product specific application</b>	Process for industrial
<b>Variant</b>	Standard version With braking chopper
<b>Phase</b>	3 phase
<b>Mounting Mode</b>	Wall mount
<b>Communication port protocol</b>	EtherNet/IP Modbus TCP Modbus serial
<b>[Us] rated supply voltage</b>	380...480 V - 15...10 %
<b>Nominal output current</b>	16.5 A
<b>Motor power kW</b>	7.5 kW normal duty 5.5 kW heavy duty
<b>Maximum Horse Power Rating</b>	10.0 hp normal duty 7.5 hp heavy duty
<b>Continuous output current</b>	16.5 A 4 kHz normal duty 12.7 A 4 kHz heavy duty
<b>EMC filter</b>	Integrated With EMC plate option
<b>IP degree of protection</b>	IP21
<b>Degree of protection</b>	UL type 1
<b>Option module</b>	Slot A communication module Profibus DP V1 Slot A communication module PROFINET Slot A communication module DeviceNet Slot A communication module EtherCAT Slot A communication module CANopen daisy chain RJ45 Slot A communication module CANopen SUB-D 9 Slot A communication module CANopen screw terminals Slot A/slot B/slot C digital and analog I/O extension module Slot A/slot B/slot C output relay extension module Slot B 5/12 V digital encoder interface module Slot B analog encoder interface module Slot B resolver encoder interface module communication module Ethernet Powerlink

\* Price is "List Price" and may be subject to a trade discount – check with your local distributor or retailer for actual price.

## Complementary

<b>Discrete input number</b>	10
<b>Discrete input type</b>	DI1...DI8 programmable, 24 V DC $\leq$ 30 V)3.5 kOhm DI7, DI8 programmable as pulse input 0...30 kHz, 24 V DC $\leq$ 30 V) STOA, STOB safe torque off, 24 V DC $\leq$ 30 V)> 2.2 kOhm
<b>Discrete input logic</b>	16 preset speeds
<b>Discrete output number</b>	2
<b>Discrete output type</b>	Logic output DQ+ 0...1 kHz $\leq$ 30 V DC 100 mA Programmable as pulse output DQ+ 0...30 kHz $\leq$ 30 V DC 20 mA Logic output DQ- 0...1 kHz $\leq$ 30 V DC 100 mA
<b>Analogue input number</b>	3
<b>Analogue input type</b>	AI1, AI2, AI3 software-configurable voltage 0...10 V DC 30 kOhm 12 bits AI1, AI2, AI3 software-configurable current 0...20 mA/4...20 mA 250 Ohm 12 bits
<b>Analogue output number</b>	2
<b>Analogue output type</b>	Software-configurable voltage AQ1, AQ2 0...10 V DC 470 Ohm 10 bits Software-configurable current AQ1, AQ2 0...20 mA 500 Ohm 10 bits
<b>Relay output number</b>	3
<b>Relay output type</b>	Configurable relay logic R1 fault relay NO/NC 100000 cycles Configurable relay logic R2 sequence relay NO 1000000 cycles Configurable relay logic R3 sequence relay NO 1000000 cycles
<b>Maximum switching current</b>	Relay output R1 resistive, $\cos \phi = 1$ 3 A 250 V AC Relay output R1 resistive, $\cos \phi = 1$ 3 A 30 V DC Relay output R1 inductive, $\cos \phi = 0.4$ 7 ms 2 A 250 V AC Relay output R1 inductive, $\cos \phi = 0.4$ 7 ms 2 A 30 V DC Relay output R2, R3 resistive, $\cos \phi = 1$ 5 A 250 V AC Relay output R2, R3 resistive, $\cos \phi = 1$ 5 A 30 V DC Relay output R2, R3 inductive, $\cos \phi = 0.4$ 7 ms 2 A 250 V AC Relay output R2, R3 inductive, $\cos \phi = 0.4$ 7 ms 2 A 30 V DC
<b>Minimum switching current</b>	Relay output R1, R2, R3 5 mA 24 V DC
<b>Physical interface</b>	Ethernet 2-wire RS 485
<b>Connector Type</b>	2 RJ45 1 RJ45
<b>Method of access</b>	Slave Modbus TCP
<b>Transmission rate</b>	10, 100 Mbits 4.8 kbps 9600 bit/s 19200 bit/s
<b>Transmission frame</b>	RTU
<b>Number of addresses</b>	1...247
<b>Data format</b>	8 bits, configurable odd, even or no parity
<b>Type of polarization</b>	No impedance
<b>4 quadrant operation possible</b>	True
<b>Asynchronous motor control profile</b>	Variable torque standard Constant torque standard Optimized torque mode
<b>Synchronous motor control profile</b>	Permanent magnet motor Synchronous reluctance motor
<b>Maximum output frequency</b>	599 Hz
<b>Acceleration and deceleration ramps</b>	Linear adjustable separately from 0.01...9999 s
<b>Motor slip compensation</b>	Can be suppressed Adjustable Not available in permanent magnet motor law Automatic whatever the load
<b>Switching frequency</b>	2...16 kHz adjustable 4...16 kHz with derating factor

<b>Nominal switching frequency</b>	4 kHz
<b>Braking to standstill</b>	By DC injection
<b>Brake chopper integrated</b>	True
<b>Line current</b>	13.8 A 380 V normal duty) 10.5 A 380 V heavy duty) 11.9 A 480 V normal duty) 9.2 A 480 V heavy duty)
<b>Maximum Input Current per Phase</b>	13.8 A
<b>Maximum output voltage</b>	480.0 V
<b>Apparent power</b>	9.9 kVA 480 V normal duty) 7.6 kVA 480 V heavy duty)
<b>Maximum transient current</b>	19.8 A 60 s normal duty) 19.1 A 60 s heavy duty)
<b>Network Frequency</b>	50-60 Hz
<b>Relative symmetric network frequency tolerance</b>	5 %
<b>Prospective line Isc</b>	50 kA
<b>Base load current at high overload</b>	12.7 A
<b>Base load current at low overload</b>	16.5 A
<b>Power dissipation in W</b>	Forced convection 172 W 380 V 4 kHz Natural convection 44 W 380 V 4 kHz
<b>With safety function Safely Limited Speed (SLS)</b>	True
<b>With safety function Safe brake management (SBC/SBT)</b>	True
<b>With safety function Safe Operating Stop (SOS)</b>	False
<b>With safety function Safe Position (SP)</b>	False
<b>With safety function Safe programmable logic</b>	False
<b>With safety function Safe Speed Monitor (SSM)</b>	False
<b>With safety function Safe Stop 1 (SS1)</b>	True
<b>With sft fct Safe Stop 2 (SS2)</b>	False
<b>With safety function Safe torque off (STO)</b>	True
<b>With safety function Safely Limited Position (SLP)</b>	False
<b>With safety function Safe Direction (SDI)</b>	False
<b>Protection type</b>	Thermal protection motor Safe torque off motor Motor phase break motor Thermal protection drive Safe torque off drive Overheating drive Overcurrent between output phases and earth drive Overload of output voltage drive Short-circuit protection drive Motor phase break drive Overvoltages on the DC bus drive Line supply overvoltage drive Line supply undervoltage drive Line supply phase loss drive Overspeed drive Break on the control circuit drive

<b>Quantity per Set</b>	1
<b>Width</b>	6.73 in (171 mm)
<b>Height</b>	16.10 in (409 mm)
<b>Depth</b>	9.29 in (236 mm)
<b>Net weight</b>	16.98 lb(US) (7.7 kg)
<b>Electrical connection</b>	Control screw terminal 0.5...1.5 mm <sup>2</sup> AWG 20...AWG 16 Line side screw terminal 4...6 mm <sup>2</sup> AWG 12...AWG 10 Motor screw terminal 6...10 mm <sup>2</sup> AWG 10...AWG 8 DC bus screw terminal 4...6 mm <sup>2</sup> AWG 12...AWG 10
<b>Transmission Rate</b>	10/100 Mbit/s Ethernet IP/Modbus TCP 4.8, 9.6, 19.2, 38.4 kbit/s Modbus serial
<b>Exchange mode</b>	Half duplex, full duplex, autonegotiation Ethernet IP/Modbus TCP
<b>Data format</b>	8 bits, configurable odd, even or no parity Modbus serial
<b>Type of polarization</b>	No impedance Modbus serial
<b>Number of addresses</b>	1...247 Modbus serial
<b>Supply</b>	External supply for digital inputs 24 V DC 19...30 V), <1.25 mA overload and short-circuit protection Internal supply for reference potentiometer (1 to 10 kOhm) 10.5 V DC +/- 5 %, <10 mA overload and short-circuit protection Internal supply for digital inputs and STO 24 V DC 21...27 V), <200 mA overload and short-circuit protection
<b>Local signalling</b>	Local diagnostic 3 LED mono/dual colour) Embedded communication status 5 LED dual colour) Communication module status 2 LED dual colour) Presence of voltage 1 LED red)
<b>Input compatibility</b>	DI1...DI8 discrete input level 1 PLC EN/IEC 61131-2 DI7, DI8 pulse input level 1 PLC IEC 65A-68 STOA, STOB discrete input level 1 PLC EN/IEC 61131-2
<b>Discrete input logic</b>	Positive logic (source) DI1...DI8), < 5 V, > 11 V Negative logic (sink) DI1...DI8), > 16 V, < 10 V Positive logic (source) DI7, DI8), < 0.6 V, > 2.5 V Positive logic (source) STOA, STOB), < 5 V, > 11 V
<b>Sampling duration</b>	2 ms +/- 0.5 ms DI1...DI8) - discrete input 5 ms +/- 1 ms DI7, DI8) - pulse input 1 ms +/- 1 ms AI1, AI2, AI3) - analog input 5 ms +/- 1 ms AQ1, AQ2) - analog output
<b>Accuracy</b>	+/- 0.6 % AI1, AI2, AI3 for a temperature variation 60 °C analog input +/- 1 % AQ1, AQ2 for a temperature variation 60 °C analog output
<b>Linearity error</b>	AI1, AI2, AI3 +/- 0.15 % of maximum value analog input AQ1, AQ2 +/- 0.2 % analog output
<b>Refresh time</b>	Relay output R1, R2, R3)5 ms +/- 0.5 ms)
<b>Isolation</b>	Between power and control terminals
<b>Environment</b>	
<b>Operating altitude</b>	<= 3280.84 ft (1000 m) without derating 1000...4800 m with current derating 1 % per 100 m
<b>Operating position</b>	Vertical +/- 10 degree
<b>Product certifications</b>	CSA UL TÜV
<b>Marking</b>	CE
<b>Standards</b>	UL 508C EN/IEC 61800-3 EN/IEC 61800-5-1 IEC 61000-3-12 IEC 60721-3 IEC 61508 IEC 13849-1
<b>Maximum THDI</b>	<48 % from 80...100 % of load IEC 61000-3-12
<b>Assembly style</b>	Enclosed
<b>Electromagnetic compatibility</b>	Electrostatic discharge immunity test level 3 IEC 61000-4-2

Radiated radio-frequency electromagnetic field immunity test level 3 IEC 61000-4-3  
 Electrical fast transient/burst immunity test level 4 IEC 61000-4-4  
 1.2/50  $\mu$ s - 8/20  $\mu$ s surge immunity test level 3 IEC 61000-4-5  
 Conducted radio-frequency immunity test level 3 IEC 61000-4-6

<b>Environmental class (during operation)</b>	Class 3C3 according to IEC 60721-3-3 Class 3S3 according to IEC 60721-3-3
<b>Maximum acceleration under shock impact (during operation)</b>	150 m/s <sup>2</sup> at 11 ms
<b>Maximum acceleration under vibrational stress (during operation)</b>	10 m/s <sup>2</sup> at 13...200 Hz
<b>Maximum deflection under vibratory load (during operation)</b>	1.5 mm at 2...13 Hz
<b>Permitted relative humidity (during operation)</b>	Class 3K5 according to EN 60721-3
<b>Volume of cooling air</b>	27210.21 Gal/hr(US) (103 m <sup>3</sup> /h)
<b>Overvoltage category</b>	III
<b>Regulation loop</b>	Adjustable PID regulator
<b>Insulation resistance</b>	> 1 MOhm 500 V DC for 1 minute to earth
<b>Noise level</b>	56 dB 86/188/EEC
<b>Vibration resistance</b>	1.5 mm peak to peak 2...13 Hz)IEC 60068-2-6 1 gn 13...200 Hz)IEC 60068-2-6
<b>Shock resistance</b>	15 gn 11 ms IEC 60068-2-27
<b>Environmental characteristic</b>	Chemical pollution resistance class 3C3 EN/IEC 60721-3-3 Dust pollution resistance class 3S3 EN/IEC 60721-3-3
<b>Relative humidity</b>	5...95 % without condensation IEC 60068-2-3
<b>Ambient air temperature for operation</b>	5...122 °F (-15...50 °C) without derating) 122...140 °F (50...60 °C) with derating factor)
<b>Noise level</b>	56 dB
<b>Pollution degree</b>	2
<b>Ambient air transport temperature</b>	-40...158 °F (-40...70 °C)
<b>Ambient Air Temperature for Storage</b>	-40...158 °F (-40...70 °C)

## Ordering and shipping details


<b>Category</b>	22276 - ATV930 FRAMES 1 & 2
<b>Discount Schedule</b>	CP4E
<b>GTIN</b>	3606480883316
<b>Nbr. of units in pkg.</b>	1
<b>Package weight(Lbs)</b>	22.65 lb(US) (10.276 kg)
<b>Returnability</b>	Yes
<b>Country of origin</b>	ID

## Packing Units

<b>Unit Type of Package 1</b>	PCE
<b>Package 1 Height</b>	13.58 in (34.5 cm)
<b>Package 1 width</b>	8.46 in (21.5 cm)
<b>Package 1 Length</b>	23.03 in (58.5 cm)
<b>Unit Type of Package 2</b>	P06

<b>Number of Units in Package 2</b>	3
<b>Package 2 Weight</b>	96.62 lb(US) (43.828 kg)
<b>Package 2 Height</b>	29.53 in (75 cm)
<b>Package 2 width</b>	31.50 in (80 cm)
<b>Package 2 Length</b>	23.62 in (60 cm)

## Offer Sustainability

<b>Sustainable offer status</b>	Green Premium product
<b>California proposition 65</b>	WARNING: This product can expose you to chemicals including: Lead and lead compounds, which is known to the State of California to cause cancer and birth defects or other reproductive harm. For more information go to <a href="http://www.P65Warnings.ca.gov">www.P65Warnings.ca.gov</a>
<b>REACH Regulation</b>	<a href="#">REACH Declaration</a>
<b>EU RoHS Directive</b>	Pro-active compliance (Product out of EU RoHS legal scope) <a href="#">EU RoHS Declaration</a>
<b>Mercury free</b>	Yes
<b>RoHS exemption information</b>	<a href="#">Yes</a>
<b>China RoHS Regulation</b>	<a href="#">China RoHS declaration</a>
<b>Environmental Disclosure</b>	<a href="#">Product Environmental Profile</a>
<b>Circularity Profile</b>	<a href="#">End of Life Information</a>
<b>WEEE</b>	The product must be disposed on European Union markets following specific waste collection and never end up in rubbish bins.
<b>Upgradeability</b>	<a href="#">Upgraded components available</a> 

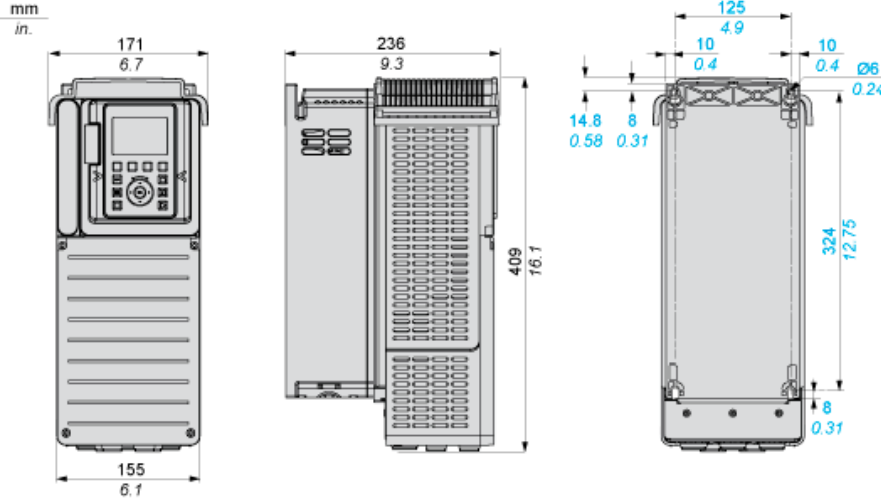
# Product data sheet

# ATV930U75N4

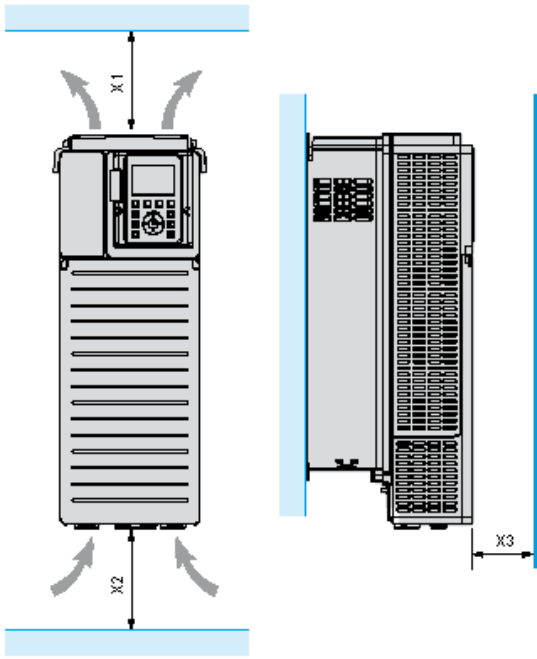
## Dimensions Drawings

### Dimensions

#### IP21 / UL Type 1 Drives - Front, Left Side and Rear View



**Clearances**



X1	X2	X3
≥ 100 mm (3.94 in.)	≥ 100 mm (3.94 in.)	≥ 10 mm (0.39 in.)

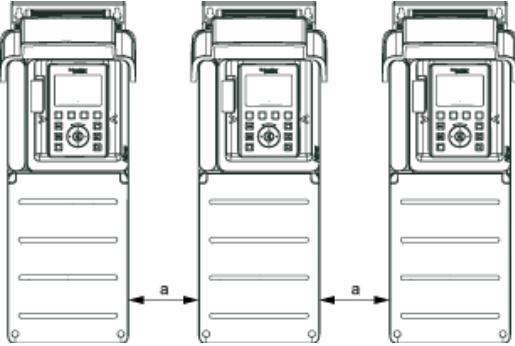
- Mount the device in a vertical position ( $\pm 10^\circ$ ). This is required for cooling the device.
- Do not mount the device close to heat sources.
- Leave sufficient free space so that the air required for cooling purposes can circulate from the bottom to the top of the drive.



**Mounting Types**

---

**Mounting Type A: Individual IP21**



$a \geq 100 \text{ mm (3.94 in.)}$

**Mounting Type B: Side by Side IP20**

