

# Product data sheet

Specifications



## Auxiliary contact block, TeSys Deca, 4NC, front mounting, screw clamp terminals

LADN04

Product availability : Stock - Normally stocked in distribution facility

Price\* : 41.50 USD

### Main

Range	TeSys TeSys Deca
Product name	TeSys D TeSys Deca
Product or Component Type	Auxiliary contact block
Device short name	LADN
Range compatibility	TeSys D LC1D TeSys D CAD TeSys F LC1F TeSys F CR1F TeSys Deca CAD TeSys Deca LC1D
Mounting Location	Front
Pole contact composition	4 NC
Contacts operation	Instantaneous
[Ue] rated operational voltage	690 V AC 25...400 Hz
[Ie] rated operational current	6 A 120 V AC-15 1.04 A 690 V AC-15 0.55 A 125 V DC-13 0.1 A 600 V DC-13
[Ui] rated insulation voltage	690 V IEC 60947-5-1 600 V UL 60947-5-1 600 V CSA C22.2 No 60947-5-1
[Ith] conventional free air thermal current	10 A 140 °F (60 °C)
Standards	EN/IEC 60947-5-1 UL 60947-5-1 CSA C22.2 No 60947-5-1 GB/T 14048.5
Product certifications	IECEE CB Scheme UL CSA CCC EAC UKCA

### Complementary

Irms rated making capacity	140 A AC IEC 60947-5-1 250 A DC IEC 60947-5-1
Permissible short-time rating	100 A 140 °F (60 °C) 1 s 120 A 140 °F (60 °C) 500 ms

\* Price is "List Price" and may be subject to a trade discount – check with your local distributor or retailer for actual price.

140 A 140 °F (60 °C) 100 ms

<b>Protection type</b>	GG fuse 10 A
<b>Mechanical durability</b>	30 Mcycles
<b>Minimum switching current</b>	5 mA
<b>Minimum switching voltage</b>	17 V
<b>Non-overlap time</b>	1.5 ms on de-energisation no overlap between NC and NO contact 1.5 ms on energisation no overlap between NC and NO contact
<b>Insulation resistance</b>	> 10 MOhm
<b>Connections - terminals</b>	screw clamp terminals 1 0.00...0.00 in <sup>2</sup> (1...2.5 mm <sup>2</sup> )flexible with cable end screw clamp terminals 1 0.00...0.00 in <sup>2</sup> (1...2.5 mm <sup>2</sup> )flexible without cable end screw clamp terminals 2 0.00...0.00 in <sup>2</sup> (1...2.5 mm <sup>2</sup> )flexible with cable end screw clamp terminals 2 0.00...0.00 in <sup>2</sup> (1...2.5 mm <sup>2</sup> )flexible without cable end screw clamp terminals 1 0.00...0.00 in <sup>2</sup> (1...2.5 mm <sup>2</sup> )rigid screw clamp terminals 2 0.00...0.00 in <sup>2</sup> (1...2.5 mm <sup>2</sup> )rigid
<b>Tightening torque</b>	15.05 lbf.in (1.7 N.m) flat Ø 6 mm 15.05 lbf.in (1.7 N.m) Philips No 2
<b>Color</b>	Dark grey
<b>Height</b>	1.89 in (48 mm)
<b>Width</b>	1.73 in (44 mm)
<b>Depth</b>	1.65 in (42 mm)
<b>Net weight</b>	0.11 lb(US) (0.05 kg)

## Environment

<b>Environmental characteristic</b>	Normal environment
<b>IP degree of protection</b>	IP20 conforming to IEC 60529
<b>Protective treatment</b>	TH IEC 60068
<b>Ambient Air Temperature for Storage</b>	-76...176 °F (-60...80 °C)
<b>Ambient Air Temperature for Operation</b>	23...140 °F (-5...60 °C)
<b>Operating altitude</b>	9842.52 ft (3000 m)

## Ordering and shipping details

<b>Category</b>	22341 - CONTACTOR,D,K,&F ACCESS
<b>Discount Schedule</b>	I12
<b>GTIN</b>	3389110383904
<b>Nbr. of units in pkg.</b>	1
<b>Package weight(Lbs)</b>	2.19 oz (62 g)
<b>Returnability</b>	Yes
<b>Country of origin</b>	FR

## Packing Units

<b>Unit Type of Package 1</b>	PCE
<b>Package 1 Height</b>	1.65 in (4.2 cm)
<b>Package 1 width</b>	1.89 in (4.8 cm)
<b>Package 1 Length</b>	1.97 in (5 cm)
<b>Unit Type of Package 2</b>	BB1
<b>Number of Units in Package 2</b>	10
<b>Package 2 Weight</b>	22.01 oz (624 g)

Package 2 Height	1.89 in (4.8 cm)
Package 2 width	3.39 in (8.6 cm)
Package 2 Length	10.04 in (25.5 cm)
Unit Type of Package 3	S03
Number of Units in Package 3	160
Package 3 Weight	23.06 lb(US) (10.46 kg)
Package 3 Height	11.81 in (30 cm)
Package 3 width	11.81 in (30 cm)
Package 3 Length	15.75 in (40 cm)

## Offer Sustainability

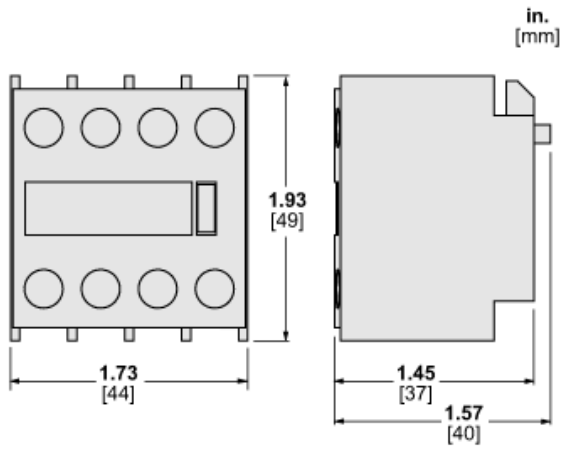
Sustainable offer status	Green Premium product
REACH Regulation	<a href="#">REACH Declaration</a>
REACH free of SVHC	Yes
EU RoHS Directive	Compliant <a href="#">EU RoHS Declaration</a>
Toxic heavy metal free	Yes
Mercury free	Yes
RoHS exemption information	<a href="#">Yes</a>
China RoHS Regulation	<a href="#">China RoHS declaration</a> Pro-active China RoHS declaration (out of China RoHS legal scope)
Environmental Disclosure	<a href="#">Product Environmental Profile</a>
WEEE	The product must be disposed on European Union markets following specific waste collection and never end up in rubbish bins.

## Contractual warranty

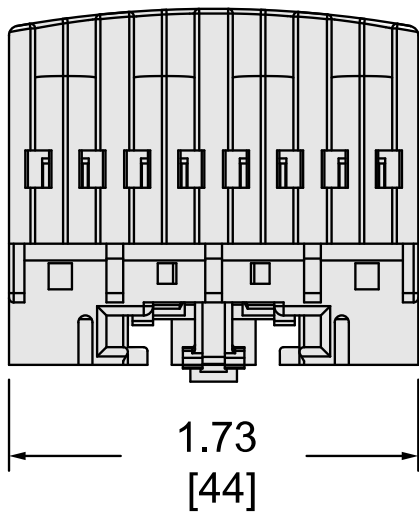
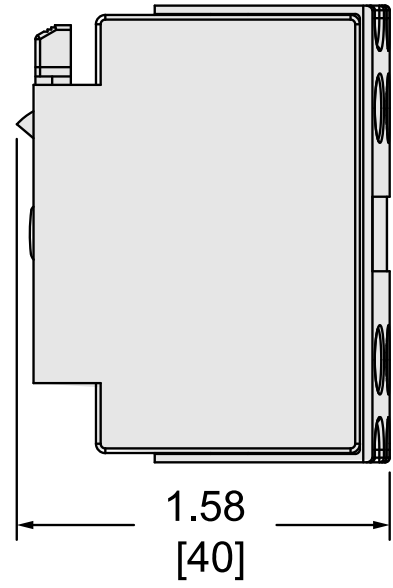
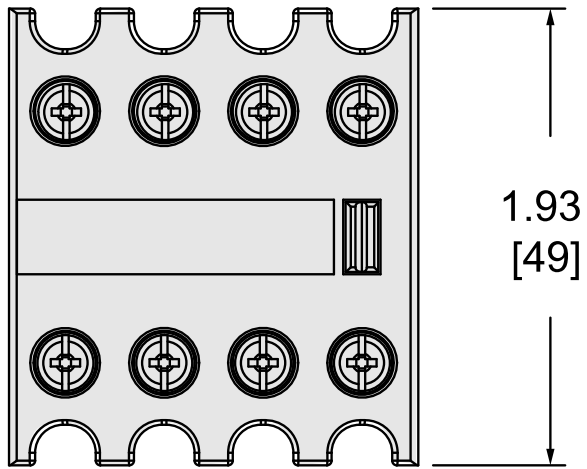
Warranty	18 months
----------	-----------

**Approximate Dimensions**

---



Dimensions



in.  
[mm]