

Product data sheet

Specifications



TeSys D, auxiliary contact block, 2 NO and 2 NC, top mount, screw clamp terminals, for LC1D09 to LC1D150 contactors

LADN22

Product availability : Stock - Normally stocked in distribution facility

Price* : 41.50 USD

Main

Range	TeSys TeSys Deca
Product name	TeSys D TeSys Deca
Product or Component Type	Auxiliary contact block
Device short name	LADN
Range compatibility	TeSys D CAD TeSys D LC1D TeSys F LC1F TeSys F CR1F TeSys Deca CAD TeSys Deca LC1D
Mounting Location	Front
Pole contact composition	2 NO + 2 NC
Contacts operation	Instantaneous
[Ue] rated operational voltage	690 V AC 25...400 Hz
[Ie] rated operational current	6 A 120 V AC-15 1.04 A 690 V AC-15 0.55 A 125 V DC-13 0.1 A 600 V DC-13
[Ui] rated insulation voltage	690 V IEC 60947-5-1 600 V UL 60947-5-1 600 V CSA C22.2 No 60947-5-1
[Ith] conventional free air thermal current	10 A 140 °F (60 °C)
Standards	EN/IEC 60947-5-1 UL 60947-5-1 CSA C22.2 No 60947-5-1 GB/T 14048.5
Product certifications	IECEE CB Scheme UL CSA CCC UKCA

Complementary

Irms rated making capacity	140 A AC IEC 60947-5-1 250 A DC IEC 60947-5-1
Permissible short-time rating	100 A 140 °F (60 °C) 1 s 120 A 140 °F (60 °C) 500 ms

* Price is "List Price" and may be subject to a trade discount – check with your local distributor or retailer for actual price.

140 A 140 °F (60 °C) 100 ms

Protection type	GG fuse 10 A
Mechanical durability	30 Mcycles
Minimum switching current	5 mA
Minimum switching voltage	17 V
Non-overlap time	1.5 ms on de-energisation no overlap between NC and NO contact 1.5 ms on energisation no overlap between NC and NO contact
Insulation resistance	> 10 MOhm
Connections - terminals	screw clamp terminals 1 0.00...0.00 in ² (1...2.5 mm ²)flexible with cable end screw clamp terminals 1 0.00...0.00 in ² (1...2.5 mm ²)flexible without cable end screw clamp terminals 2 0.00...0.00 in ² (1...2.5 mm ²)flexible with cable end screw clamp terminals 2 0.00...0.00 in ² (1...2.5 mm ²)flexible without cable end screw clamp terminals 1 0.00...0.00 in ² (1...2.5 mm ²)rigid screw clamp terminals 2 0.00...0.00 in ² (1...2.5 mm ²)rigid
Tightening torque	15.05 lbf.in (1.7 N.m) flat Ø 6 mm 15.05 lbf.in (1.7 N.m) Philips No 2
Color	Dark grey
Height	1.89 in (48 mm)
Width	1.73 in (44 mm)
Depth	1.65 in (42 mm)
Net weight	0.11 lb(US) (0.05 kg)

Environment

Environmental characteristic	Normal environment
IP degree of protection	IP20 conforming to IEC 60529
Protective treatment	TH IEC 60068
Ambient Air Temperature for Storage	-76...176 °F (-60...80 °C)
Ambient Air Temperature for Operation	23...140 °F (-5...60 °C)
Operating altitude	9842.52 ft (3000 m)

Ordering and shipping details

Category	22341 - CONTACTOR,D,K,&F ACCESS
Discount Schedule	I12
GTIN	3389110384031
Nbr. of units in pkg.	1
Package weight(Lbs)	2.12 oz (60 g)
Returnability	Yes
Country of origin	FR

Packing Units

Unit Type of Package 1	PCE
Package 1 Height	1.97 in (5 cm)
Package 1 width	1.97 in (5 cm)
Package 1 Length	1.73 in (4.4 cm)
Unit Type of Package 2	BB1
Number of Units in Package 2	10
Package 2 Weight	21.94 oz (622 g)

Package 2 Height	1.97 in (5 cm)
Package 2 width	3.39 in (8.6 cm)
Package 2 Length	10.24 in (26 cm)
Unit Type of Package 3	S03
Number of Units in Package 3	160
Package 3 Weight	22.97 lb(US) (10.418 kg)
Package 3 Height	11.81 in (30 cm)
Package 3 width	11.81 in (30 cm)
Package 3 Length	15.75 in (40 cm)

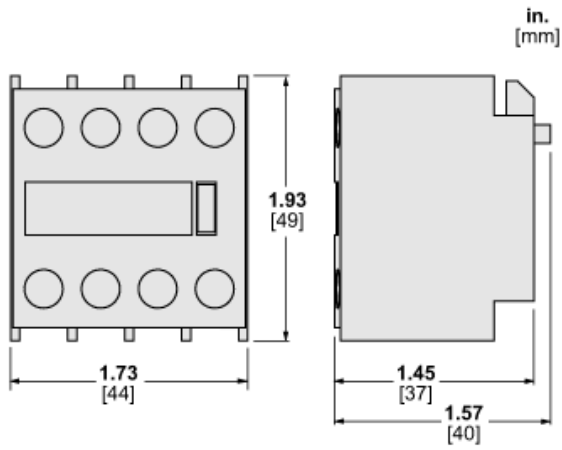
Offer Sustainability

Sustainable offer status	Green Premium product
REACH Regulation	REACH Declaration
REACH free of SVHC	Yes
EU RoHS Directive	Compliant EU RoHS Declaration
Toxic heavy metal free	Yes
Mercury free	Yes
RoHS exemption information	Yes
China RoHS Regulation	China RoHS declaration Pro-active China RoHS declaration (out of China RoHS legal scope)
Environmental Disclosure	Product Environmental Profile
WEEE	The product must be disposed on European Union markets following specific waste collection and never end up in rubbish bins.

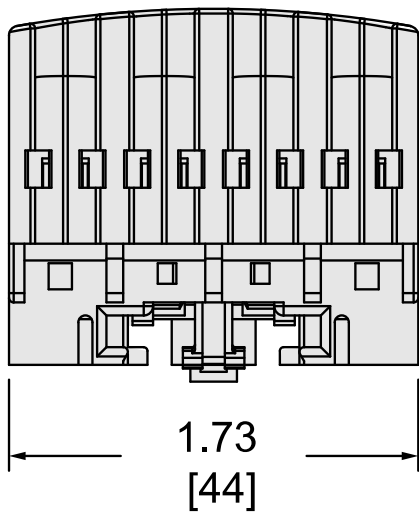
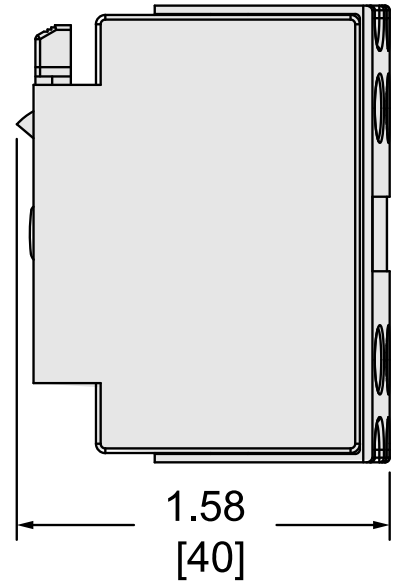
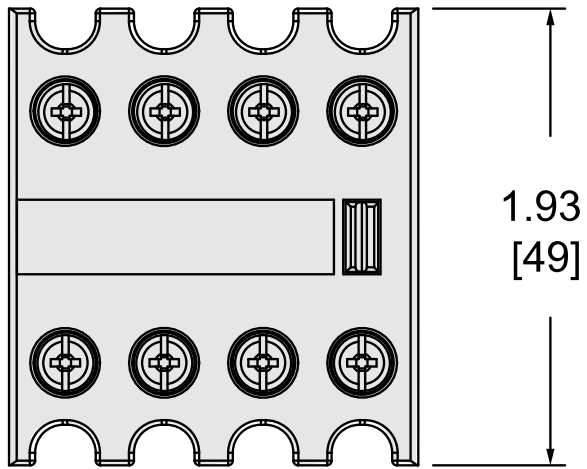
Contractual warranty

Warranty	18 months
----------	-----------

Approximate Dimensions



Dimensions



in.
[mm]