

# Digital Display Pressure/ Vacuum Gauges



## Rugged, One Piece Construction

### DESCRIPTION

The versatile PD Digital Pressure Gauge can be used with any gas, liquid, or solid that is compatible with 17-4 stainless steel. The one-piece construction employs no silicone oil, welds, O-rings, or seals, making it the ideal universal pressure measurement device. The large LCD display shows the current reading, the selected scale, and the maximum and minimum pressure. All functions are easily controlled from the four panel push buttons located below the display.

### APPLICATIONS

- Pump Inlet/Outlet and Compressors
- Inert Gas Pressure Measurement
- Hydraulic/Pneumatic Systems
- Energy and Fluid Management
- Refrigeration Equipment/Fluids/Test Stands
- Industrial Process Control
- Vacuum Chambers
- Lab and Research
- Irrigation

### FEATURES

- Multiple pressure range options available...fits any application needs
- Rugged one-piece construction...provides long product life
- Large LCD display...clear readings at a distance
- Switch-selectable scales...for maximum resolution and versatility
- Pushbutton zero...maximizes accuracy and prevents callbacks
- NEMA 4/IP65 housing

### SPECIFICATIONS



<b>Input Power</b>	Display Only Models: 9 volt alkaline battery; Analog Output Models: 7.5 to 32VDC; Voltage Output Models: 15 to 32VDC
<b>Pressure</b>	See ordering table; consult factory for additional ranges
<b>Measurement Units*</b>	psi, bar, kg/cm2, atm, in. of H <sub>2</sub> O* (selectable)
<b>Accuracy**</b>	<± 0.5% BFLS
<b>Stability (1 yr)</b>	±0.25% of FS Typical
<b>Over Range Protection</b>	2x Rated Pressure
<b>Burst Pressure</b>	5x Rated Pressure or 5000psi, whichever is less
<b>Pressure Cycles</b>	> 100 Million
<i>Temperature Ranges:</i>	
<b>Media</b>	-55° to 125°C (-65° to 257°F)
<b>Operating (Ambient)</b>	-10° to 70°C (15° to 158°F)
<b>Storage</b>	Display Only Models: -15° to 85°C (5° to 185°F); Analog and Voltage Output Models: -40° to 65°C (-40° to 150°F)
<i>Thermal Limits:</i>	
<b>Compensated Range</b>	0° to 55°C (32° to 130°F)
<b>TC Zero</b>	<±1.5% of FS
<b>TC Span</b>	<±1.5% of FS
<b>Connection</b>	1/4" NPT Male
<b>Update Rate</b>	Display Only Models: 2 times per second; Analog and Voltage Output Models: 32 times per second
<b>Automatic Power Off</b>	Display Only Models: 1 hour
<b>Battery Life</b>	Display Only Models: 4000 Operating Hours (typical)
<b>Housing</b>	NEMA 4, IP65, Polycarbonate
<b>Output</b>	Analog Output Models: 4-20mA loop powered or 0-5/0-10VDC

\*inches H2O units available on ≤250psi range devices only

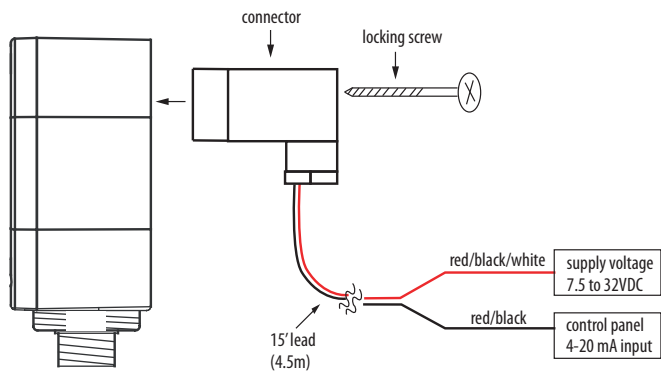
\*\*Accuracy includes non-linearity, hysteresis, and non-repeatability, measured at 25°C(77°F)

Note: Select a loop power supply and total loop resistance so that when the loop current is 20mA, the gauge will have at least 7.5VDC at its terminals

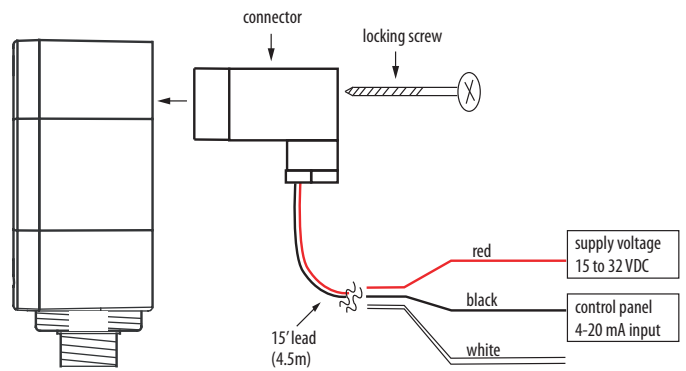
PRESSURE

## APPLICATION/WIRING DIAGRAM

**Analog Output Version**

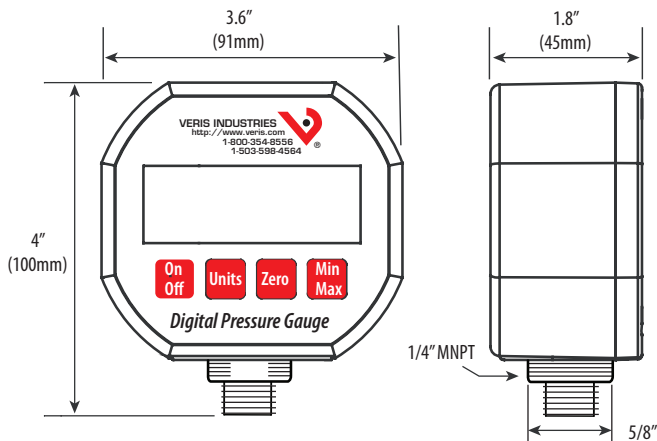


**Voltage Output Version**

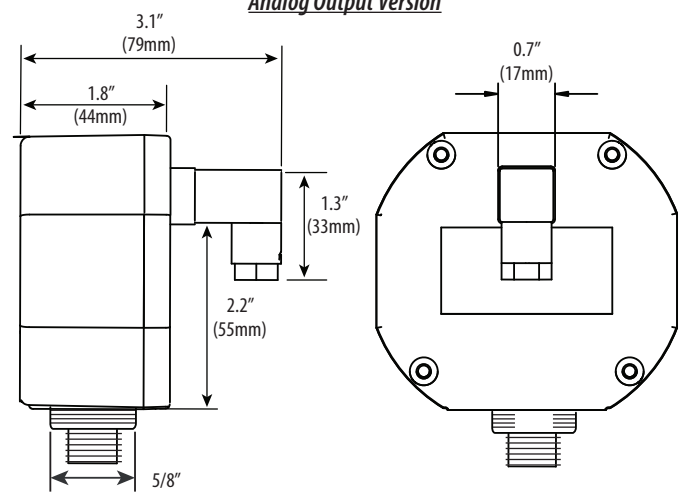


## DIMENSIONAL DRAWINGS

**Display Only Version**



**Analog Output Version**



PRESSURE

## ORDERING INFORMATION

**Display Only Models**

Pressure Range	Material	Output
PD <input type="checkbox"/>	<input type="checkbox"/> A	<input type="checkbox"/> X
50 = -14.7 to 50 psig	= 17 - 4SS	= Display only
100 = -14.7 to 100 psig		
250 = -14.7 to 250 psig		
500 = -14.7 to 500 psig		
1000 = -14.7 to 1000 psig		

**Analog Output Models**

Pressure Range	Material	Output
PD <input type="checkbox"/>	<input type="checkbox"/> A	<input type="checkbox"/>
50 = 0 to 50 psig	= 17 - 4SS	M = 4-20mA V = 0-5VDC/0-10VDC
100 = 0 to 100 psig		
250 = 0 to 250 psig		
500 = 0 to 500 psig		
1000 = 0 to 1000 psig		

Example:

