



Main

Range of product	Modicon Momentum automation platform
Product or component type	Analogue,discrete I/O base
Group of channels	1 group of 8 discrete outputs 2 groups of 4 discrete inputs 1 group of 6 analog inputs 1 group of 4 analog outputs
Analogue input range	0...10 V
Analogue input type	Single ended
Analogue input resolution	14 bits 0...10 V
Discrete input voltage	24 V DC
Analogue output range	0...10 V 14 bits
Discrete output voltage	10...30 V
Output short-circuit protection	With discrete output
Output overload protection	With discrete output

Complementary





Discrete input number	8 conforming to IEC 1131-2 Type 2
[Us] rated supply voltage	24 V (19.2...30 V)DC
Maximum analogue input voltage	15 V
Input voltage limits	3...32 V
Discrete input logic	Positive
Voltage state 0 guaranteed	<= 5 Vfor discrete input
Voltage state 1 guaranteed	>= 11 Vfor discrete input
Current state 0 guaranteed	<= 2 mA (discrete input)
Current state 1 guaranteed	>= 6 mA (discrete input)
Input overvoltage protection	45 V 10 s discrete input
Input resistance	1 MOhm analogue input circuit
Output load	>= 2 kOhm 0...10 V analogue output

Conversion time	0.75 ms analogue input circuit 1.2 ms analogue output
Conversion error	+/- 0.4 % 0...10 V 25 °C analogue output 0,002 0...10 V 25 °C analogue input circuit
Fail state	For analogue output: hold For analogue output: reset to zero
Discrete output type	Transistor
Discrete output logic	Positive
Discrete output current	2 A per group 2 A per module 0.25 A per point
Maximum leakage current	0.4 mA DC 30 V discrete output
Maximum voltage drop	<0.4 V 0.25 A at state on discrete output
Surge current	2.5 A 1 ms discrete output
Response time	1.05 ms from state 1 to state 0 for discrete output 1.2 ms from state 0 to state 1 for discrete input 1.2 ms from state 0 to state 1 for discrete output 1.2 ms from state 1 to state 0 for discrete input
Isolation voltage	500 V (duration = 1 min) between analogue I/O and operating voltage 500 V (duration = 1 min) between operating voltage and I/O from ground
Maximum power dissipation in W	6 W
Marking	CE
Local signalling	Channel status: 4 LEDs
Electrical connection	2 connectors for removable terminal blocks
Current consumption	400 mA at 24 V DC
Depth	47.5 mm
Height	125 mm
Width	141.5 mm
Net weight	0.24 kg

Environment

Product certifications	UL CSA
Protective treatment	TC
Resistance to electrostatic discharge	4 kV contact conforming to IEC 801-2 8 kV on air conforming to IEC 801-2
Resistance to electromagnetic fields	10 V/m 80...1000 MHz conforming to IEC 801-3
Ambient air temperature for operation	0...60 °C
Ambient air temperature for storage	-40...85 °C
Relative humidity	95 % without condensation
Operating altitude	<= 5000 m

Offer Sustainability

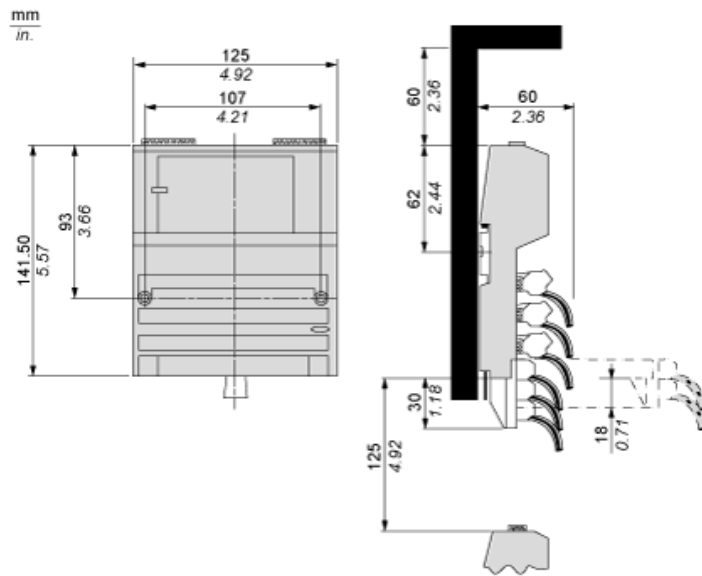
Sustainable offer status	Green Premium product
REACH Regulation	 REACH Declaration
EU RoHS Directive	Pro-active compliance (Product out of EU RoHS legal scope)  EU RoHS Declaration
Environmental Disclosure	 Product Environmental Profile
Circularity Profile	 End of Life Information

Contractual warranty

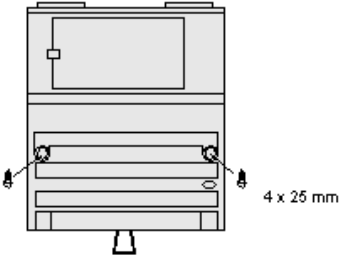
Warranty	18 months
----------	-----------

Standard Adapter on a Typical Base

Dimensions

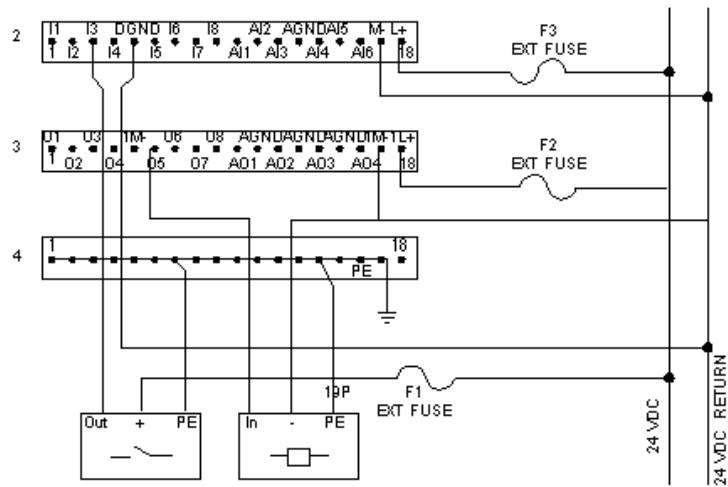


Mounting on a Wall



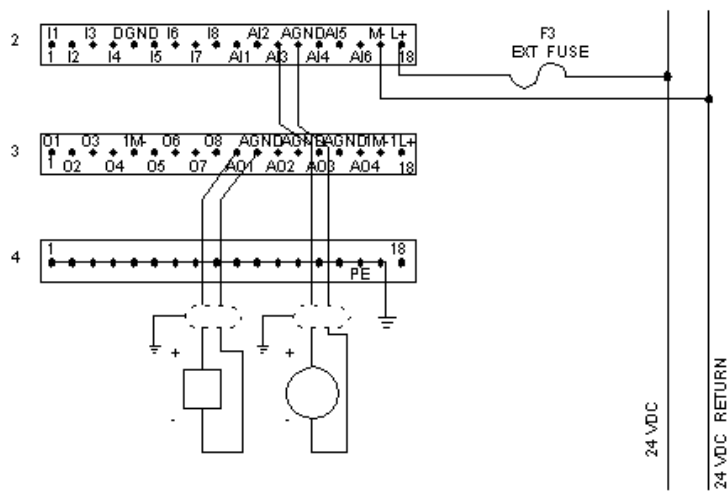
External Wiring Diagrams

Discrete I/O Devices



F1, F3 1 A fuse
F2 2.5 A fuse

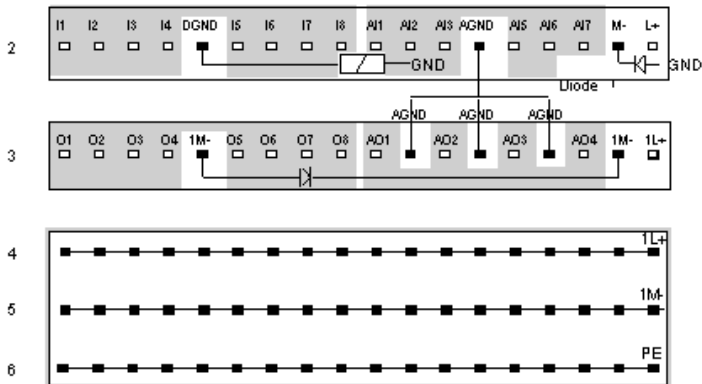
Analog I/O Devices



F3 1 A fuse

Internal Pin Connections

Rows 2 and 3 show the internal connections between terminals on the I/O base. Rows 4 through 6 show the internal connections on the optional busbar.



NOTE: AGND and DGND are separated inside the module. External digital inputs must be returned to the DGND terminal. External analog circuits must be returned to AGND terminals.