



Main

| | |
|---------------------------|----------------------------------|
| Range of product | Harmony 9001K |
| Product or component type | Emergency stop push-button |
| Device short name | 9001K |
| Type of operator | Trigger action (turn to release) |
| Operator profile | Red mushroom Ø 40 mm unmarked |

Complementary

| | |
|--|---|
| Bezel material | Chromium plated metal |
| Mounting diameter | 30 mm |
| CAD overall width | 40 mm |
| CAD overall height | 40 mm |
| CAD overall depth | 116 mm |
| Product weight | 0.141 kg |
| Operating position | Any position |
| Shape of signaling unit head | Round |
| Head material | Plastic |
| Operator position information | 2 positions |
| Contacts type and composition | 2 NO + 2 NC |
| Mechanical durability | 5000000 cycles |
| Connections - terminals | Screw clamp terminals (1 x 0.22...2 x 1.5 mm ²) conforming to EN/IEC 60947-1 |
| Tightening torque | 0.8 N.m conforming to EN/IEC 60947-1 |
| Shape of screw head | Cross slotted head |
| Contacts material | Silver alloy contacts |
| Short-circuit protection | 10 A cartridge fuse conforming to EN/IEC 60947-5-1 |
| [I _{th}] conventional free air thermal current | 10 A |
| [U _i] rated insulation voltage | 250 V (degree of pollution: 3) conforming to EN/IEC 60947-1 |
| [U _{imp}] rated impulse withstand voltage | 2.5 kV conforming to EN/IEC 60947-1 |
| [I _e] rated operational current | 3 A at 240 V AC-15, A600-Q600 conforming to NEMA 0.55 A at 125 V DC-13, A600-Q600 conforming to NEMA |
| [I _{cm}] rated short-circuit making capacity | <= 0.1 kA at 600 V DC-13 <= 12 kA at 120 V AC-15, 7200 VA |

Disclaimer: This documentation is not intended as a substitute for and is not to be used for determining suitability or reliability of these products for specific user applications

| | |
|-------------------------|--|
| | <= 0.27 kA at 250 V DC-13 <= 0.55 kA at 125 V DC-13 |
| Rated breaking capacity | <= 3 kA at 240 V AC-15, 720 VA <= 6 kA at 120 V AC-15, 720 VA <= 0.1 kA at 600 V DC-13 <= 0.27 kA at 250 V DC-13 <= 0.55 kA at 125 V DC-13 <= 1.2 kA at 600 V AC-15, 720 VA <= 1.5 kA at 480 V AC-15, 720 VA |
| Device presentation | Complete product |

Environment

| | |
|---------------------------------------|--|
| Protective treatment | TC |
| Ambient air temperature for storage | -40...70 °C |
| Ambient air temperature for operation | -25...70 °C |
| Overvoltage category | Class II conforming to IEC 61140 |
| IP degree of protection | IP66 conforming to IEC 60529 |
| NEMA degree of protection | NEMA 1 NEMA 12 NEMA 13 NEMA 2 NEMA 3 NEMA 3R NEMA 4 NEMA 6 |
| Standards | CSA C22.2 No 14 EN/IEC 60947-5-1 EN/IEC 60947-1 EN/IEC 60947-5-4 JIS C 4520 JIS C 852 UL 508 EN/IEC 60204-1 for emergency stop devices if used with emergency stop legend plate type 9001KN EN/ISO 13850 for emergency stop devices if used with emergency stop legend plate type 9001KN |
| Product certifications | NEMA UL 508 |
| Vibration resistance | 7 gn (f = 2...500 Hz) conforming to IEC 60068-2-6 |
| Shock resistance | 50 gn conforming to IEC 60068-2-27 |

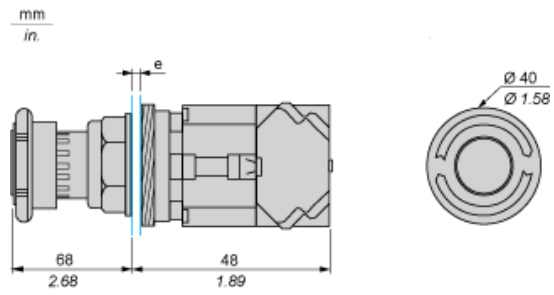
Offer Sustainability

| | |
|------------------------|---|
| RoHS (date code: YYWW) | Compliant - since 0921 - Schneider Electric declaration of conformity Schneider Electric declaration of conformity |
|------------------------|---|

Contractual warranty

| | |
|-----------------|-----------|
| Warranty period | 18 months |
|-----------------|-----------|

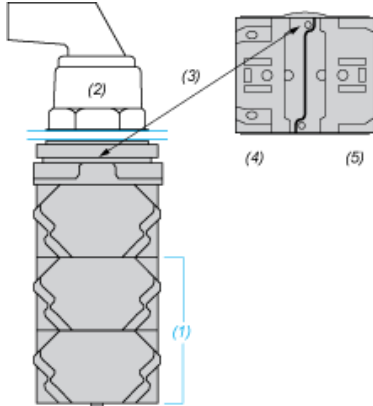
Dimensions



e panel thickness: 1 to 6 mm / 0.04 to 0.24 in.

Contact Block Mounting Position

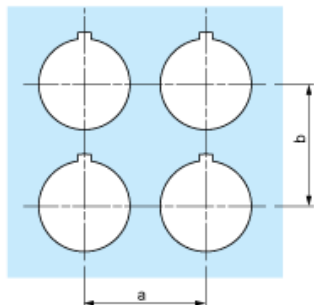
Top and Rear views



- (1) It is possible to mount up to 3 levels of contacts blocks (maximum of 6 contacts blocks)
- (2) Operator
- (3) Locating notch
- (4) Side 1
- (5) Side 2

Panel Cut-Out

Clearance



| Legend plate | a min. | | b min. | |
|--------------|--------|------|--------|------|
| | mm | in. | mm | in. |
| 9001KN2•• | 57.2 | 2.25 | 44.5 | 1.75 |
| 9001KN3•• | 57.2 | 2.25 | 50.8 | 2.00 |

Individual Cut-outs Details

2 alternatives

mm
in.

