



Main

Range of product	Harmony 9001K
Product or component type	Illuminated mushroom head push-button
Device short name	9001K
Type of operator	Stay put
Operator profile	Red mushroom Ø 41 mm unmarked
Light block supply	Direct

Complementary

Bezel material	Chromium plated metal
Mounting diameter	30 mm
Product weight	0.186 kg
Operating position	Any position
Shape of signaling unit head	Round
Operator position information	2 positions
Contacts type and composition	Without contact block
Mechanical durability	5000000 cycles
Light source	Incandescent
Light source	Incandescent
Bulb base	BA 9s
[Us] rated supply voltage	24 V AC/DC
[Us] rated supply voltage	AC/DC
Compatibility code	9001K

Environment

Protective treatment	TC
Ambient air temperature for storage	-40...70 °C
Ambient air temperature for operation	-25...70 °C
Electrical shock protection class	Class II conforming to IEC 60536
Overvoltage category	Class II conforming to IEC 60536
IP degree of protection	IP66 conforming to IEC 60529
NEMA degree of protection	NEMA 1

NEMA 12
NEMA 13
NEMA 2
NEMA 3
NEMA 3R
NEMA 4

Standards	EN/IEC 60947-1 EN/IEC 60947-5-1 EN/IEC 60947-5-4 JIS C 4520 JIS C 852 UL 508 CSA C22.2 No 14
Product certifications	NEMA UL 508
Vibration resistance	7 gn (f = 2...500 Hz) conforming to IEC 60068-2-6
Shock resistance	50 gn conforming to IEC 60068-2-27

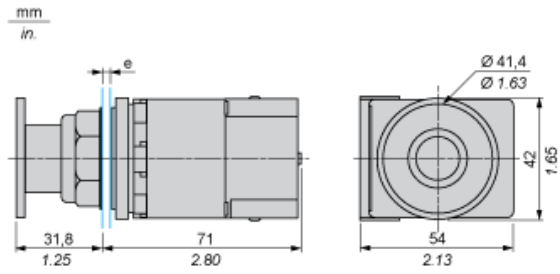
Offer Sustainability

RoHS (date code: YYWW)	Compliant - since 0921 - Schneider Electric declaration of conformity Schneider Electric declaration of conformity
REACH	Reference not containing SVHC above the threshold Reference not containing SVHC above the threshold

Contractual warranty

Warranty period	18 months
-----------------	-----------

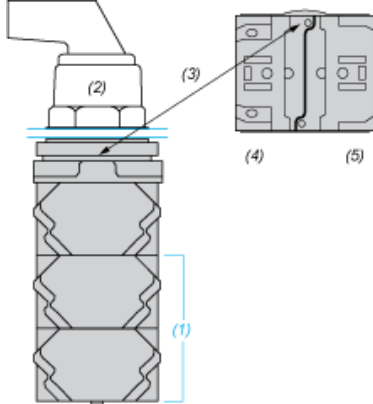
Dimensions



e panel thickness: 1 to 6 mm / 0.04 to 0.24 in.

Contact Block Mounting Position

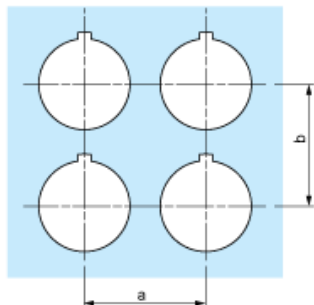
Top and Rear views



- (1) It is possible to mount up to 3 levels of contacts blocks (maximum of 6 contacts blocks)
- (2) Operator
- (3) Locating notch
- (4) Side 1
- (5) Side 2

Panel Cut-Out

Clearance



Legend plate	a min.		b min.	
	mm	in.	mm	in.
9001KN2••	57.2	2.25	44.5	1.75
9001KN3••	57.2	2.25	50.8	2.00

Individual Cut-outs Details

2 alternatives

mm
in.

