

Product availability : Stock - Normally stocked in distribution facility

Price\*\* : 197.00 USD



### Main

|                           |                                      |
|---------------------------|--------------------------------------|
| Range of product          | Harmony 9001SK                       |
| Product or component type | Illuminated push to test push-button |
| Device short name         | 9001SK                               |
| Type of operator          | Spring return                        |
| Operator profile          | Amber projecting unmarked            |

### Complementary

|   |  |
|---|--|
| Bezel material                              | Plastic  |
| Mounting diameter                           | 1.18 in (30 mm)  |
| Shape of signaling unit head                | Octagonal  |
| Light source                                | LED  |
| Light source                                | LED  |
| Bulb base                                   | BA 9s  |
| Light block supply                          | Direct   |
| [Us] rated supply voltage                   | 24...28 V AC/DC  |
| [Us] rated supply voltage                   | 24 V AC/DC   |
| Connections - terminals                     | Screw clamp terminals (1 x 0.22...2 x 1.5 mm <sup>2</sup> ) conforming to EN/IEC 60947-1   |
| Tightening torque                           | 7.08 lbf.in (0.8 N.m) conforming to EN/IEC 60947-1   |
| Shape of screw head                         | Cross slotted  |
| Mechanical durability                       | 5000000 cycles   |
| Operating position                          | Any position   |
| [Ui] rated insulation voltage               | 250 V (degree of pollution: 3) conforming to EN/IEC 60947-1  |
| [Uimp] rated impulse withstand voltage      | 2.5 kV conforming to EN/IEC 60947-1  |
| Contacts material                           | Silver alloy contacts  |
| Positive opening                            | Without  |
| Short-circuit protection                    | 10 A cartridge fuse conforming to EN/IEC 60947-5-1   |
| [Ith] conventional free air thermal current | 10 A   |
| [Icm] rated short-circuit making capacity   | <= 12 kA at 600 V (AC-15) 7200 VA<br><= 15 kA at 480 V (AC-15) 7200 VA<br><= 30 kA at 240 V (AC-15) 7200 VA<br><= 60 kA at 120 V (AC-15) 7200 VA |

Disclaimer: This documentation is not intended as a substitute for and is not to be used for determining suitability or reliability of these products for specific user applications

|                         |  |
|-------------------------|--|
| Rated breaking capacity | <= 0.1 kA at 600 V (DC-13)<br><= 0.27 kA at 250 V (DC-13)<br><= 0.55 kA at 125 V (DC-13)<br><= 1.2 kA at 600 V (AC-15) 720 VA<br><= 1.5 kA at 480 V (AC-15) 720 VA<br><= 3 kA at 240 V (AC-15) 720 VA<br><= 6 kA at 120 V (AC-15) 720 VA |
| Product weight          | 0.43 lb(US) (0.195 kg)   |
| Device presentation     | Complete product   |

## Environment

|                                       |  |
|---------------------------------------|--|
| Standards                             | JIS C 852<br>UL 508<br>CSA C22.2 No 14<br>EN/IEC 60947-5-1<br>JIS C 4520<br>EN/IEC 60947-1<br>EN/IEC 60947-5-4 |
| Product certifications                | NEMA<br>UL 508   |
| Protective treatment                  | TC   |
| Ambient air temperature for storage   | -40...158 °F (-40...70 °C)   |
| Ambient air temperature for operation | -13...158 °F (-25...70 °C)   |
| Vibration resistance                  | 7 gn (f = 2...500 Hz) conforming to IEC 60068-2-6  |
| Shock resistance                      | 50 gn conforming to IEC 60068-2-27   |
| Electrical shock protection class     | Class II conforming to IEC 61140   |
| IP degree of protection               | IP66 conforming to IEC 60529   |
| NEMA degree of protection             | NEMA 1<br>NEMA 12<br>NEMA 13<br>NEMA 2<br>NEMA 3<br>NEMA 3R<br>NEMA 4<br>NEMA 4X                               |

## Ordering and shipping details

|                       |                     |
|-----------------------|---------------------|
| Category              | 21429 - 9001 SK,SKY |
| Discount Schedule     | CS1                 |
| GTIN                  | 00785901792666      |
| Nbr. of units in pkg. | 1                   |
| Package weight(Lbs)   | 0.5                 |
| Returnability         | Y                   |
| Country of origin     | MX                  |

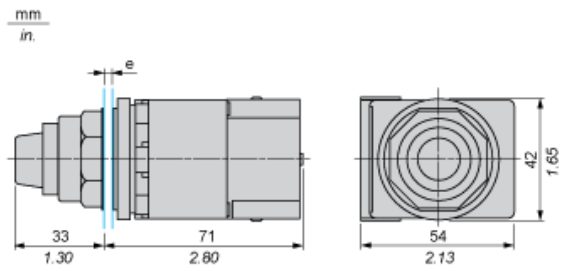
## Offer Sustainability

|                           |   |
|---------------------------|---|
| RoHS (date code: YYWW)    | Compliant - since 0921 - Schneider Electric declaration of conformity<br><a href="#">Schneider Electric declaration of conformity</a> |
| REACH                     | Reference not containing SVHC above the threshold<br><a href="#">Reference not containing SVHC above the threshold</a>                |
| California proposition 65 | WARNING: This product can expose you to chemicals including:  |
| ----- Substance 1         | Nickel compounds, which is known to the State of California to cause cancer, and  |
| ----- Substance 2         | Di-isodecyl phthalate (DIDP), which is known to the State of California to cause birth defects or other reproductive harm.            |
| ----- More information    | For more information go to <a href="http://www.p65warnings.ca.gov">www.p65warnings.ca.gov</a>   |

## Contractual warranty

|                 |           |
|-----------------|-----------|
| Warranty period | 18 months |
|-----------------|-----------|

Dimensions



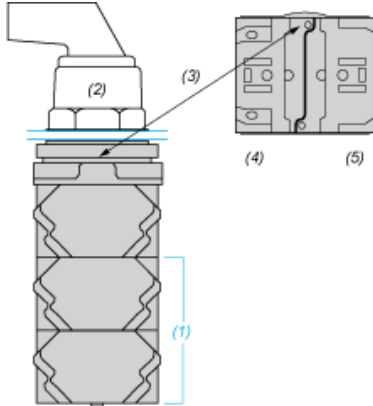
e panel thickness: 1 to 6 mm / 0.04 to 0.24 in.

---

Contact Block Mounting Position

---

Top and Rear views



- (1) It is possible to mount up to 3 levels of contacts blocks (maximum of 6 contacts blocks)
- (2) Operator
- (3) Locating notch
- (4) Side 1
- (5) Side 2