

ABE7CPA03

connection sub-base ABE7 - for distribution of 8 analog channels

Product availability : Stock - Normally stocked in distribution facility

Price* : 450.00 USD



Main

| | |
|---------------------------|--|
| Range of product | Advantys Telefast ABE7 |
| Product or component type | Connection sub-base for counter and analogue channels |
| Number of channels | 8 |
| Connections - terminals | Screw type terminals, clamping capacity: 1 x 0.09...1 x 1.5 mm ² AWG 28...AWG 16 flexible with cable end Screw type terminals, clamping capacity: 1 x 0.14...1 x 2.5 mm ² AWG 26...AWG 12 solid Screw type terminals, clamping capacity: 1 x 0.14...1 x 2.5 mm ² AWG 26...AWG 14 flexible without cable end Screw type terminals, clamping capacity: 2 x 0.09...2 x 0.75 mm ² AWG 28...AWG 20 flexible with cable end Screw type terminals, clamping capacity: 2 x 0.2...2 x 2.5 mm ² AWG 24...AWG 14 solid |

Complementary

| | |
|-------------------------------|--|
| Function of module | Analogue input current , compatible with Premium Analogue input voltage , compatible with Premium Pt 100 , compatible with Premium |
| Product compatibility | TSXAEY1600 compatible with Premium TSXAEY800 compatible with Premium |
| [Uc] control circuit voltage | 24 V DC |
| Connection to PLC | SUB-D 25 |
| Fixing mode | By clips on 35 mm symmetrical DIN rail By screws on solid plate with fixing kit |
| [Ui] rated insulation voltage | 2000 V between terminals/mounting rails |
| Installation category | II conforming to IEC 60664-1 |
| Tightening torque | 5.31 lbf.in (0.6 N.m) (with flat Ø 3.5 mm) |
| Product weight | 0.73 lb(US) (0.33 kg) |

Environment

| | |
|-----------|-----------|
| Standards | IEC 61131 |
|-----------|-----------|


UL 508
CSA C22.2

| | |
|---------------------------------------|--|
| Product certifications | GL BV LROS (Lloyds register of shipping) UL DNV CSA |
| IP degree of protection | IP20 conforming to IEC 60529 |
| Protective treatment | TC |
| Resistance to incandescent wire | 1382 °F (750 °C), extinction time: < 30 s conforming to IEC 60695-2-11 |
| Shock resistance | 15 gn 11 ms conforming to IEC 60068-2-27 |
| Vibration resistance | 2 gn (f = 10...150 Hz) conforming to IEC 60068-2-6 |
| Resistance to electrostatic discharge | 4 kV (contact) conforming to IEC 61000-4-2 level 3 8 kV (air) conforming to IEC 61000-4-2 level 3 |
| Resistance to radiated fields | 9.14 V/1yd (10 V/m) (26000000...1000000000 Hz) conforming to IEC 61000-4-3 level 3 |
| Resistance to fast transients | 2 kV conforming to IEC 61000-4-4 level 3 |
| Ambient air temperature for operation | 32...140 °F (0...60 °C) conforming to IEC 61131-2 |
| Ambient air temperature for storage | -40...176 °F (-40...80 °C) conforming to IEC 61131-2 |
| Pollution degree | 2 conforming to IEC 60664-1 |

Ordering and shipping details

| | |
|-----------------------|-----------------------------------|
| Category | 22375 - INTERFACE MODULE(ABA,R,S) |
| Discount Schedule | CP2 |
| GTIN | 00785901767428 |
| Nbr. of units in pkg. | 1 |
| Package weight(Lbs) | 0.690000000000000006 |
| Returnability | Y |
| Country of origin | LV |

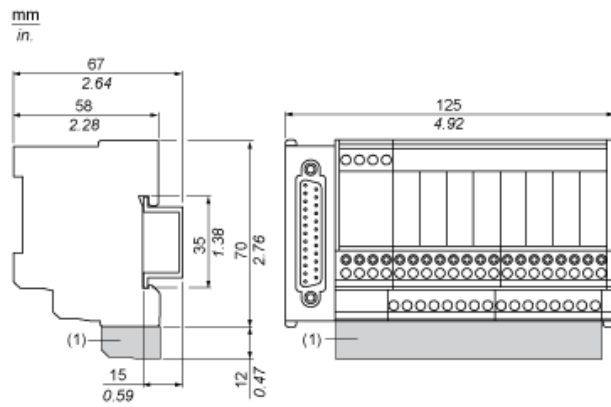
Offer Sustainability

| | |
|--------------------------|---|
| Sustainable offer status | Not Green Premium product |
| RoHS (date code: YYWW) | Compliant - since 1017 - Schneider Electric declaration of conformity  Schneider Electric declaration of conformity |

Contractual warranty

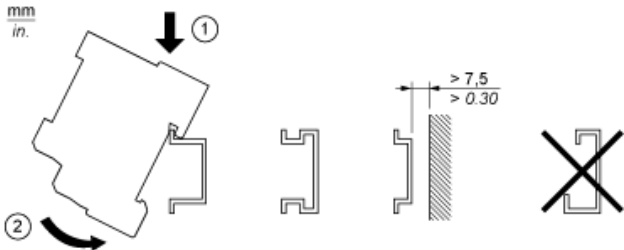
| | |
|-----------------|-----------|
| Warranty period | 18 months |
|-----------------|-----------|

Dimensions

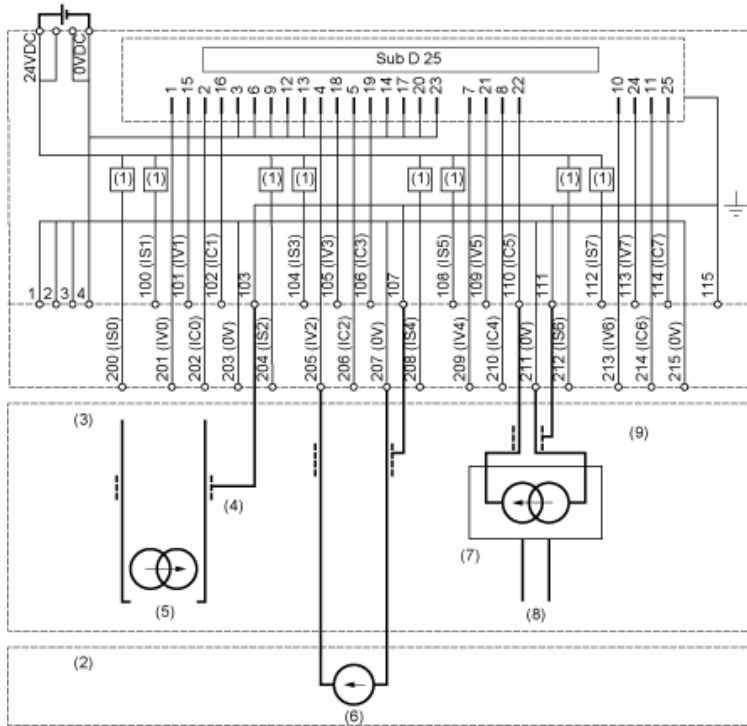


(1) ABE7BV20 / ABE7BV20E

Mounting



Wiring Diagram



- (1) Limiter 25 mA
- (2) 8 input voltage
- (3) 8 input current
- (4) 2-wire sensor
- (5) Channel via 0
- (6) Channel via 2
- (7) Power supply
- (8) Channel via 5
- (9) 4-wire sensor