

ATS01N206LU

soft starter for asynchronous motor - ATS01 - 6 A
- 200..240V - 0.75..1.1 KW



Main

| | |
|------------------------------|--|
| Range of product | Altistart 01 |
| Product or component type | Soft starter |
| Product destination | Asynchronous motors |
| Product specific application | Simple machine |
| Device short name | ATS01 |
| Network number of phases | 3 phases |
| [Us] rated supply voltage | 200...240 V - 10...10 % |
| Motor power kW | 0.75 kW 3 phases 200...240 V 1.1 kW 3 phases 200...240 V |
| Motor power hp | 1 hp 3 phases 200...240 V 1.5 hp 3 phases 200...240 V |
| IcL starter rating | 6 A |
| Utilisation category | AC-53B EN/IEC 60947-4-2 |
| Current consumption | 30 A at nominal load |
| Type of start | Start with voltage ramp |
| Power dissipation in W | 4 W at full load and at end of starting 64 W in transient state |

Complementary

| | |
|------------------------------|------------------------------|
| Assembly style | With heat sink |
| Function available | Integrated bypass |
| Supply voltage limits | 180...264 V |
| Supply frequency | 50...60 Hz - 5...5 % |
| Network frequency | 47.5...63 Hz |
| Output voltage | <= power supply voltage |
| [Uc] control circuit voltage | Built into the starter |
| Starting time | 1 s 100 10 s 10 5 s 20 |

| | |
|---------------------------|--|
| | Adjustable from 1 to 10 s |
| Deceleration time symb | Adjustable from 1 to 10 s |
| Starting torque | 30..80 % of starting torque of motor connected directly on the line supply |
| Discrete input type | Logic LI1, LI2, BOOST stop, run and boost on start-up functions <= 8 mA 27 kOhm |
| Discrete input voltage | 24..40 V |
| Discrete input logic | Positive LI1, LI2, BOOST < 5 V and <= 0.2 mA > 13 V >= 0.5 mA |
| Discrete output current | 2 A DC-13 3 A AC-15 |
| Discrete output type | Open collector logic LO1 end of starting signal Relay outputs R1A, R1C NO |
| Discrete output voltage | 24 V 6...30 V open collector logic |
| Minimum switching current | 10 mA 6 V DC relay outputs |
| Maximum switching current | 2 A 250 V AC inductive cos phi = 0.5 20 ms relay outputs 2 A 30 V DC inductive cos phi = 0.5 20 ms relay outputs |
| Display type | 1 LED green starter powered up 1 LED yellow nominal voltage reached |
| Tightening torque | 1.9..2.5 N.m 0.5 N.m |
| Electrical connection | 4 mm screw clamp terminal rigid 1 1...10 mm ² AWG 8 power circuit Screw connector rigid 1 0.5...2.5 mm ² AWG 14 control circuit 4 mm screw clamp terminal rigid 2 1...6 mm ² AWG 10 power circuit Screw connector rigid 2 0.5...1 mm ² AWG 17 control circuit Screw connector flexible with cable end 1 0.5...1.5 mm ² AWG 16 control circuit 4 mm screw clamp terminal flexible without cable end 1 1.5...10 mm ² AWG 8 power circuit Screw connector flexible without cable end 1 0.5...2.5 mm ² AWG 14 control circuit 4 mm screw clamp terminal flexible with cable end 2 1...6 mm ² AWG 10 power circuit 4 mm screw clamp terminal flexible without cable end 2 1.5...6 mm ² AWG 10 power circuit Screw connector flexible without cable end 2 0.5...1.5 mm ² AWG 16 control circuit |
| Marking | CE |
| Operating position | Vertical +/- 10 degree |
| Height | 124 mm |
| Width | 45 mm |
| Depth | 131 mm |
| Product weight | 0.42 kg |
| Compatibility code | ATS01N2 |
| Power range | 0.55...1 kW at 200...240 V 3 phases 1.1...2 kW at 200...240 V 3 phases |
| Motor starter type | Soft starter |

Environment

| | |
|-------------------------------|--|
| Electromagnetic compatibility | Damped oscillating waves level 3 IEC 61000-4-12 Electrostatic discharge level 3 IEC 61000-4-2 Immunity to electrical transients level 4 IEC 61000-4-4 Immunity to radiated radio-electrical interference level 3 IEC 61000-4-3 Voltage/Current impulse level 3 IEC 61000-4-5 Conducted and radiated emissions level B CISPR 11 Conducted and radiated emissions level B IEC 60947-4-2 EMC immunity EN 50082-2 Harmonics IEC 1000-3-2 Harmonics IEC 1000-3-4 Immunity to conducted interference caused by radio-electrical fields level 3 IEC 61000-4-6 Micro-cuts and voltage fluctuation IEC 61000-4-11 EMC immunity EN 50082-1 |
| Standards | EN/IEC 60947-4-2 |
| Product certifications | UL GOST C-Tick CSA B44.1-96/ASME A17.5 for starter wired to the motor delta terminal CCC |
| IP degree of protection | IP20 |
| Pollution degree | 2 EN/IEC 60947-4-2 |

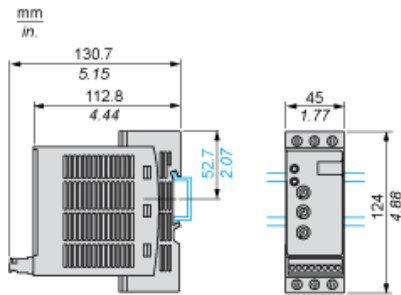
| | |
|---------------------------------------|--|
| Vibration resistance | 1.5 mm peak to peak 3...13 Hz EN/IEC 60068-2-6 1 gn 13...150 Hz EN/IEC 60068-2-6 |
| Shock resistance | 15 gn 11 ms EN/IEC 60068-2-27 |
| Relative humidity | 5...95 % without condensation or dripping water EN/IEC 60068-2-3 |
| Ambient air temperature for operation | -10...40 °C without derating 40...50 °C with current derating of 2 % per °C |
| Ambient air temperature for storage | -25...70 °C EN/IEC 60947-4-2 |
| Operating altitude | <= 1000 m without derating > 1000 m with current derating of 2.2 % per additional 100 m |

Contractual warranty

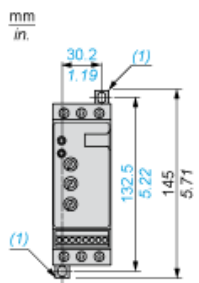
| | |
|-----------------|-----------|
| Warranty period | 18 months |
|-----------------|-----------|

Dimensions

Mounting on Symetrical (35 mm) Rail

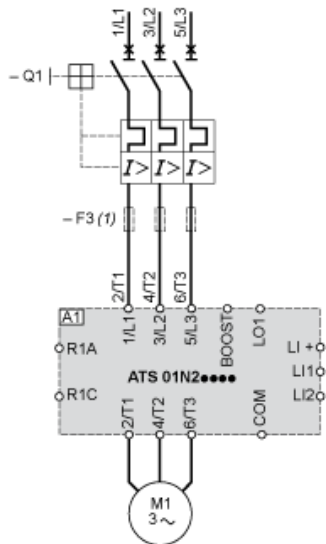


Screw Fixing



(1) Retractable fixings

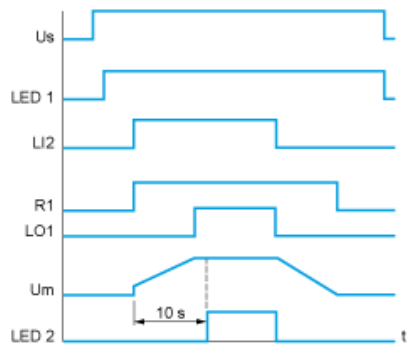
Example of Manual Control



- A1 : Soft start/soft stop unit
- (1) For type 2 coordination
- Q1 : Motor circuit-breaker
- F3 : 3 fast-acting fuses

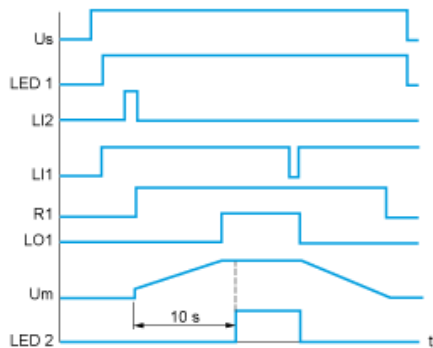
Function Diagram

2-wire Control with Deceleration




Us : Power supply voltage
LED 1 Green LED
LI2 : Logic input
R1 : Relay output
LO1 : Logic output
LED 2 Yellow LED

3-wire Control with Deceleration



Us : Power supply voltage
LED 1 Green LED
LI2, LI1 Logic inputs
R1 : Relay output
LO1 : Logic output
Um : Motor voltage
LED 2 Yellow LED

Our Proposal: Circuit Breaker + Contactor + Soft Starter for Motor Power from 0,75 to 1,1 kW and 200 VAC

| Motor Power (kW) | Motor Starter | Information |
|------------------|--|---|
| 0,75 to 1,1 |  ATS01N206LU | For your complete Schneider Electric motor protection and control solution, please contact an exper |

Non contractual pictures.