





Main

| | |
|------------------------------------|--|
| Range of product | Altivar Process ATV600 |
| Product or component type | Variable speed drive |
| Product specific application | Process and utilities |
| Device short name | ATV630 |
| Variant | Standard version |
| Product destination | Asynchronous motors Synchronous motors |
| Mounting mode | Wall mount |
| EMC filter | Integrated EN/IEC 61800-3 category C2 50 m Integrated EN/IEC 61800-3 category C3 150 m |
| IP degree of protection | IP21 IEC 61800-5-1 IP21 IEC 60529 |
| Degree of protection | UL type 1 UL 508C |
| Type of cooling | Forced convection |
| Supply frequency | 50...60 Hz - 5...5 % |
| Network number of phases | 3 phases |
| [Us] rated supply voltage | 380...480 V - 15...10 % |
| Motor power kW | 30 kW normal duty 22 kW heavy duty |
| Motor power hp | 40 hp normal duty 30 hp heavy duty |
| Line current | 53.3 A 380 V normal duty 45.9 A 480 V normal duty 40.5 A 380 V heavy duty 35.8 A 480 V heavy duty |
| Prospective line I _{sc} | 50 kA |
| Apparent power | 38.2 kVA 480 V normal duty 29.8 kVA 480 V heavy duty |
| Continuous output current | 61.5 A 4 kHz normal duty 46.3 A 4 kHz heavy duty |
| Maximum transient current | 67.7 A 60 s normal duty 69.5 A 60 s heavy duty |
| Asynchronous motor control profile | Constant torque standard Variable torque standard Optimized torque mode |
| Synchronous motor control profile | Permanent magnet motor |
| Output frequency | 0.0001...0.5 kHz |
| Nominal switching frequency | 4 kHz |
| Switching frequency | 2...12 kHz adjustable 4...12 kHz with derating factor |
| Safety function | STO (safe torque off) SIL 3 |
| Discrete input logic | 16 preset speeds |

| | |
|-----------------------------|---|
| Communication port protocol | Ethernet Modbus serial Modbus TCP |
| Option card | Communication module Profibus DP V1 slot A Communication module Profinet slot A Communication module DeviceNet slot A Communication module Modbus TCP/EtherNet/IP slot A Communication module CANopen daisy chain RJ45 slot A Communication module CANopen SUB-D 9 slot A Communication module CANopen screw terminals slot A Digital and analog I/O extension module slot A/slot B Output relay extension module slot A/slot B Communication module Ethernet IP/Modbus TCP/MD-Link slot A |

Complementary

| | |
|-------------------------------------|--|
| Output voltage | \leq power supply voltage |
| Permissible temporary current boost | 1.1 x I_n 60 s normal duty 1.5 x I_n 60 s heavy duty |
| Motor slip compensation | Adjustable Automatic whatever the load Can be suppressed Not available in permanent magnet motor law |
| Acceleration and deceleration ramps | Linear adjustable separately from 0.01 to 9000 s S, U or customized |
| Braking to standstill | By DC injection |
| Protection type | Thermal protection motor Safe torque off motor Motor phase break motor Thermal protection drive Safe torque off drive Overheating drive Overcurrent between output phases and earth drive Overload of output voltage drive Short-circuit protection drive Motor phase break drive Overvoltages on the DC bus drive Line supply overvoltage drive Line supply undervoltage drive Line supply phase loss drive Overspeed drive Break on the control circuit drive |
| Frequency resolution | 0.1 Hz display unit 0.012/50 Hz analog input |
| Electrical connection | Removable screw terminals 0.5...1.5 mm ² AWG 20...AWG 16 control Screw terminal 25...50 mm ² AWG 4...AWG 1 line side Screw terminal 25...50 mm ² AWG 4...AWG 1 motor |
| Type of connector | RJ45 Ethernet/Modbus TCP on the remote graphic terminal RJ45 Modbus serial on the remote graphic terminal |
| Physical interface | 2-wire RS 485 Modbus serial |
| Transmission frame | RTU Modbus serial |
| Transmission rate | 10/100 Mbit/s Ethernet IP/Modbus TCP 4.8, 9.6, 19.2, 38.4 kbit/s Modbus serial |
| Exchange mode | Half duplex, full duplex, autonegotiation Ethernet/Modbus TCP |
| Data format | 8 bits, configurable odd, even or no parity Modbus serial |
| Type of polarization | No impedance Modbus serial |
| Number of addresses | 1...247 Modbus serial |
| Method of access | Slave Modbus TCP |
| Supply | External supply for digital inputs 24 V DC 19...30 V \leq 1.25 mA overload and short-circuit protection Internal supply for reference potentiometer (1 to 10 kOhm) 10.5 V DC +/- 5 % \leq 10 mA overload and short-circuit protection Internal supply for digital inputs and STO 24 V DC 21...27 V \leq 200 mA overload and short-circuit protection |

| | |
|---------------------------|--|
| Local signalling | 3 LEDs local diagnostic 3 LEDs dual colour embedded communication status 4 LEDs dual colour communication module status 1 LED red presence of voltage |
| Width | 226 mm |
| Height | 673 mm |
| Depth | 271 mm |
| Product weight | 28 kg |
| Analogue input number | 3 |
| Analogue input type | Software-configurable voltage AI1, AI2, AI3 0...10 V DC 30 kOhm 12 bits Software-configurable current AI1, AI2, AI3 0...20 mA 250 Ohm 12 bits |
| Discrete input number | 8 |
| Discrete input type | Programmable DI1...DI6 24 V DC ≤ 30 V 3.5 kOhm Programmable as pulse input DI5, DI6 0...30 kHz 24 V DC ≤ 30 V Safe torque off STOA, STOB 24 V DC ≤ 30 V > 2.2 kOhm |
| Input compatibility | Level 1 PLC EN/IEC 61131-2 DI1...DI6 discrete input Level 1 PLC IEC 65A-68 DI5, DI6 discrete input Level 1 PLC EN/IEC 61131-2 STOA, STOB discrete input |
| Discrete input logic | Positive logic (source) DI1...DI6 < 5 V > 11 V Negative logic (sink) DI1...DI6 > 16 V < 10 V Positive logic (source) DI5, DI6 < 0.6 V > 2.5 V Positive logic (source) STOA, STOB < 5 V > 11 V |
| Analogue output number | 2 |
| Analogue output type | Software-configurable voltage AO1, AO2 0...10 V DC 470 Ohm 10 bits Software-configurable current AO1, AO2 0...20 mA 10 bits |
| Sampling duration | 2 ms +/- 0.5 ms DI1...DI4 discrete input 5 ms +/- 1 ms DI5, DI6 discrete input 5 ms +/- 0.1 ms AI1, AI2, AI3 analog input 10 ms +/- 1 ms AO1 analog output |
| Accuracy | +/- 0.6 % AI1, AI2, AI3 for a temperature variation 60 °C analog input +/- 1 % AO1, AO2 for a temperature variation 60 °C analog output |
| Linearity error | +/- 0.15 % of maximum value analog input AI1, AI2, AI3 +/- 0.2 % analog output AO1, AO2 |
| Relay output number | 3 |
| Relay output type | Configurable relay logic R1 fault relay NO/NC 100000 cycles Configurable relay logic R2 sequence relay NO 100000 cycles Configurable relay logic R3 sequence relay NO 100000 cycles |
| Refresh time | 5 ms +/- 0.5 ms R1, R2, R3 relay output |
| Minimum switching current | 5 mA 24 V DC R1, R2, R3 relay output |
| Maximum switching current | 3 A 250 V AC resistive 1 R1, R2, R3 relay output 3 A 30 V DC resistive 1 R1, R2, R3 relay output 2 A 250 V AC inductive 0.4 7 ms R1, R2, R3 relay output 2 A 30 V DC inductive 0.4 7 ms R1, R2, R3 relay output |
| Isolation | Between power and control terminals |
| Functionality | Full |
| Specific application | Utility |
| IP degree of protection | IP21 |

Environment

| | |
|-------------------------------|--|
| Insulation resistance | > 1 mOhm 500 V DC for 1 minute to earth |
| Noise level | 63.5 dB 86/188/EEC |
| Power dissipation in W | 93 W natural convection 380 V 4 kHz 640 W forced convection 380 V 4 kHz |
| Volume of cooling air | 240 m ³ /h |
| Operating position | Vertical +/- 10 degree |
| THDI | ≤ 48 % from 80...100 % of load IEC 61000-3-12 |
| Electromagnetic compatibility | Electrostatic discharge immunity test level 3 IEC 61000-4-2 Radiated radio-frequency electromagnetic field immunity test level 3 IEC 61000-4-3 Electrical fast transient/burst immunity test level 4 IEC 61000-4-4 1.2/50 μ s - 8/20 μ s surge immunity test level 3 IEC 61000-4-5 Conducted radio-frequency immunity test level 3 IEC 61000-4-6 |
| Pollution degree | 2 EN/IEC 61800-5-1 |

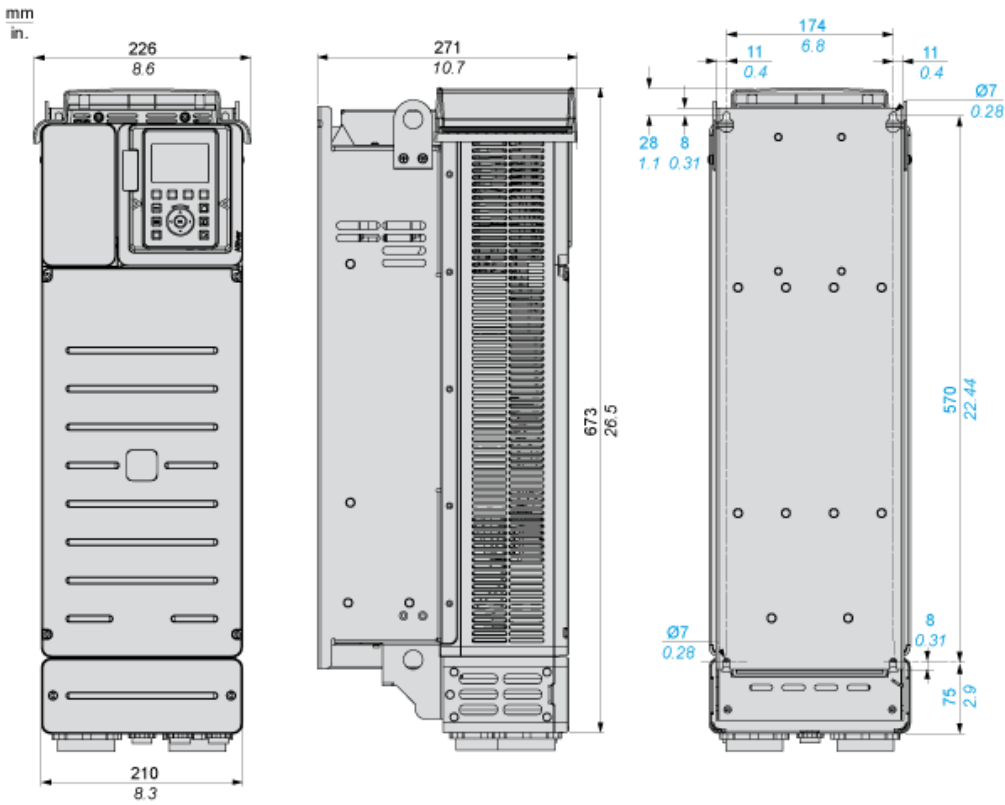
| | |
|---------------------------------------|--|
| Vibration resistance | 1.5 mm peak to peak 2...13 Hz IEC 60068-2-6 1 gn 13...200 Hz IEC 60068-2-6 |
| Shock resistance | 15 gn 11 ms IEC 60068-2-27 |
| Relative humidity | 5...95 % without condensation IEC 60068-2-3 |
| Ambient air temperature for operation | -15...50 °C without derating 50...60 °C with derating factor |
| Ambient air temperature for storage | -40...70 °C |
| Operating altitude | <= 1000 m without derating 1000...4800 m with current derating 1 % per 100 m |
| Environmental characteristic | Chemical pollution resistance class 3C3 EN/IEC 60721-3-3 Dust pollution resistance class 3S3 EN/IEC 60721-3-3 |
| Standards | UL 508C EN/IEC 61800-3 EN/IEC 61800-3 environment 1 category C2 EN/IEC 61800-3 environment 2 category C3 EN/IEC 61800-5-1 IEC 61000-3-12 IEC 60721-3 IEC 61508 IEC 13849-1 |
| Product certifications | ATEX INERIS ATEX zone 2/22 CSA TÜV UL REACH DNV-GL |
| Marking | CE |

Offer Sustainability

| | |
|----------------------------------|--|
| Sustainable offer status | Green Premium product |
| RoHS (date code: YYWW) | Compliant - since 1426 - Schneider Electric declaration of conformity |
| REACH | Reference contains SVHC above the threshold - go to CaP for more details |
| Product environmental profile | Available Download Product Environmental |
| Product end of life instructions | Available |

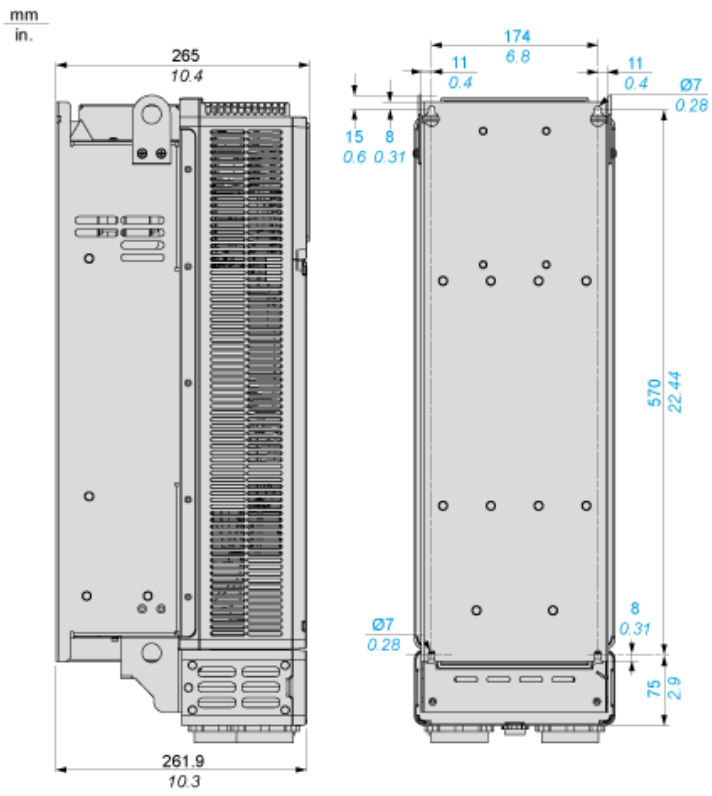
Dimensions

Views: Front - Left - Rear



Drive Without IP21 Top Cover

Views: Left - Rear



Clearances



| X1 | X2 | X3 |
|---------------------|---------------------|--------------------|
| ≥ 100 mm (3.94 in.) | ≥ 100 mm (3.94 in.) | ≥ 10 mm (0.39 in.) |

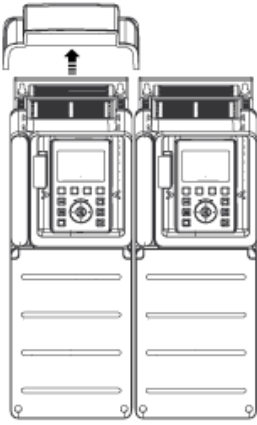
Mounting Types

Mounting Type A: Individual IP21



$a \geq 110 \text{ mm (4.33 in.)}$

Mounting Type B: Side by Side IP20 (Possible, 2 Drives Only)



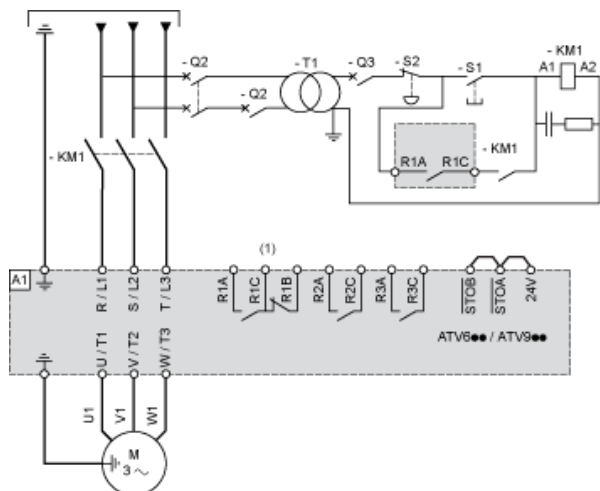
Mounting Type C: Individual IP20



$a \geq 110 \text{ mm (4.33 in.)}$

Single or Three-Phase Power Supply with Upstream Breaking via Line Contactor

Connection diagrams conforming to standards EN 954-1 category 1 and IEC/EN 61508 capacity SIL1, stopping category 0 in accordance with standard IEC/EN 60204-1



(1) Use digital output R1 set to operating state Fault to switch Off the product once an error is detected.

A1 : Drive

KM1 : Line Contactor

Q2, Circuit breakers

Q3 :

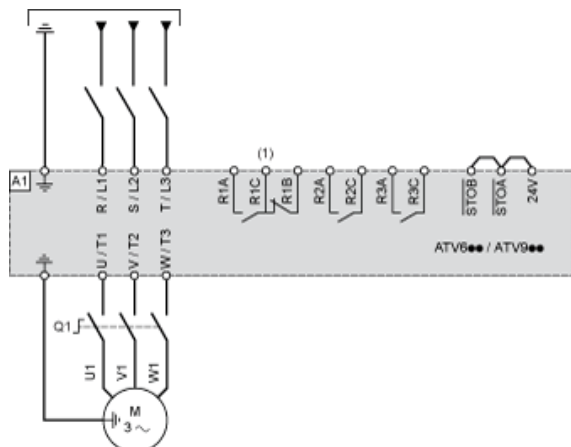
S1, Pushbuttons

S2 :

T1 : Transformer for control part

Single or Three-Phase Power Supply with Downstream Breaking via Switch Disconnecter

Connection diagrams conforming to standards EN 954-1 category 1 and IEC/EN 61508 capacity SIL1, stopping category 0 in accordance with standard IEC/EN 60204-1

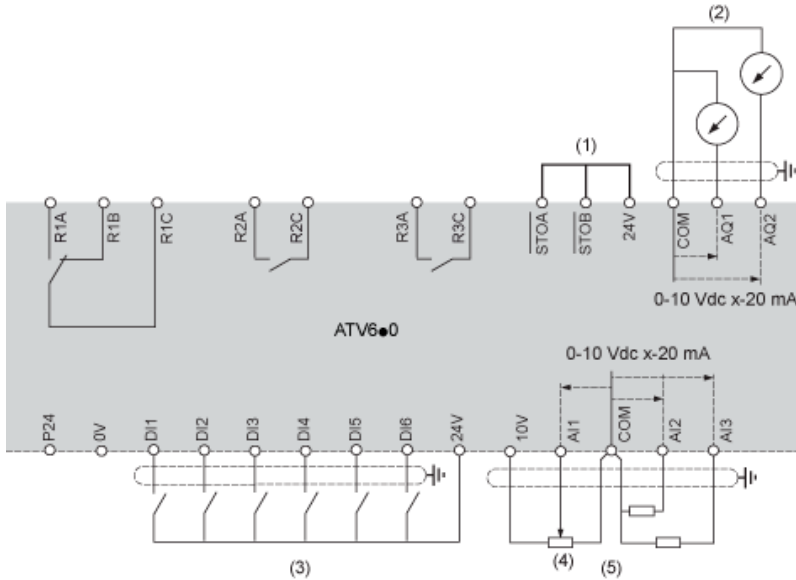


(1) Use digital output R1 set to operating state Fault to switch Off the product once an error is detected.

A1 : Drive

Q1 : Switch disconnecter

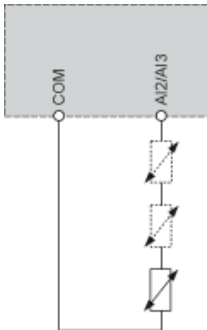
Control Block Wiring Diagram



- (1) Safe Torque Off
 - (2) Analog Output
 - (3) Digital Input
 - (4) Reference potentiometer
 - (5) Analog Input
- A1 : ATV6.. Drive
 R1A, Fault relay
 R1B,
 R1C :
 R2A, Sequence relay
 R2C :
 R3A, Sequence relay
 R3C :

Sensor Connection

It is possible to connect either 1 or 3 sensors on terminals AI2 or AI3.

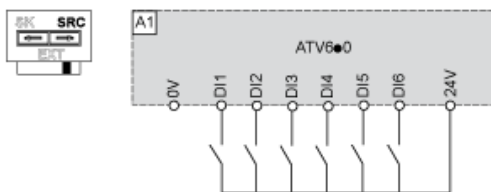


Sink / Source Switch Configuration

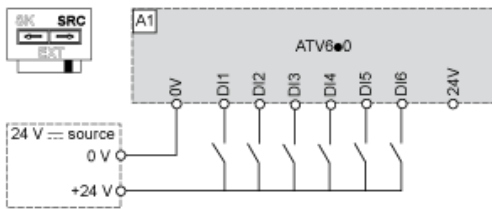
The switch is used to adapt the operation of the logic inputs to the technology of the programmable controller outputs.

- Set the switch to Source (factory setting) if using PLC outputs with PNP transistors.
- Set the switch to Ext if using PLC outputs with NPN transistors.

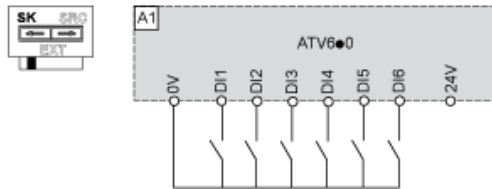
Switch Set to SRC (Source) Position Using the Output Power Supply for the Digital Inputs



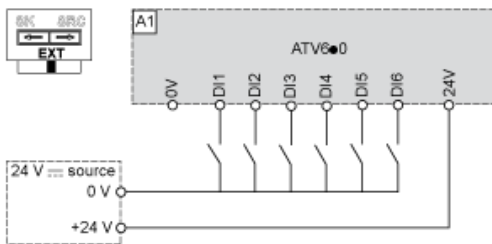
Switch Set to SRC (Source) Position and Use of an External Power Supply for the DIs



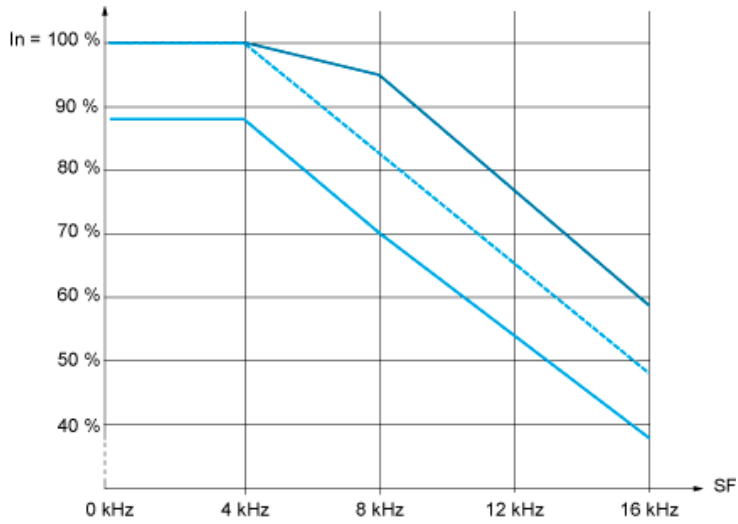
Switch Set to SK (Sink) Position Using the Output Power Supply for the Digital Inputs



Switch Set to EXT Position Using an External Power Supply for the DIs



Derating Curves



— 40 °C (104 °F) - Mounting type A, B and C
- - - 50 °C (122 °F) - Mounting type A, B and C
— 60 °C (140 °F) - Mounting type B and C
In : Nominal Drive Current
SF : Switching Frequency