



### Main

Range of product	Modicon M580
Product or component type	Processor module
Product specific application	For severe environments
Supply	Internal power supply via rack

### Complementary

Number of racks	4
Local I/O processor capacity (discrete)	1024 I/O
Local I/O processor capacity (analog)	256 I/O
Number of application specific channel (local rack)	36
Application specific I/O	Accurate time stamping Counter Serial link Motion control HART SSI encoder
Checks	Process control
Control channels	Programmable loops
Integrated connection type	USB type mini B 1 Ethernet TCP/IP service port 2 Ethernet TCP/IP device network
Number of distributed equipment	64
Communication module processor capacity	2 Ethernet communication module 8 AS-Interface module
Communication service	DIO scanner
Memory description	Integrated RAM 4 MB program Integrated RAM 384 kB data Expandable flash 4 GB data storage Integrated RAM 10 kB system memory
Application structure	1 cyclic/periodic master task

Disclaimer: This documentation is not intended as a substitute for and is not to be used for determining suitability or reliability of these products for specific user applications

	1 periodic fast task 64 event tasks 2 auxiliary tasks
Number of instructions per ms	7.5 Kinst/ms 65 % Boolean + 35 % fixed arithmetic 10 Kinst/ms 100 % Boolean
Current consumption	270 mA 24 V DC
MTBF reliability	600000 H
Marking	CE
Status LED	1 LED green download in progress (DL) 1 LED red memory card or CPU flash fault (BACKUP) 1 LED green/red ETH MS (Ethernet port configuration status) 1 LED green/red Eth NS (Ethernet network status) 1 LED green processor running (RUN) 1 LED red I/O module fault (I/O) 1 LED red processor or system fault (ERR)
Product weight	0.849 kg

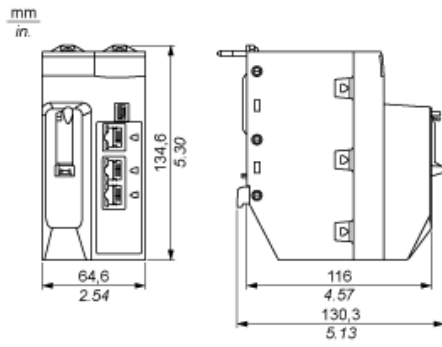
## Environment

Vibration resistance	3 gn
Shock resistance	30 gn
Ambient air temperature for operation	-25...70 °C
Ambient air temperature for storage	-40...85 °C
Operating altitude	0...2000 m 2000...5000 m (with derating factor)
Relative humidity	5...95 % 55 °C conforming to without condensation
IP degree of protection	IP20
Directives	2012/19/EU - WEEE directive 2014/30/EU - electromagnetic compatibility 2014/35/EU - low voltage directive
Standards	EN 61000-6-2 EN 61000-6-4 EN 61131-2 EN 61010-2-201
Environmental characteristic	Corrosion resistance Dust resistant
Product certifications	ATEX CE CSA UL RCM IEC-Ex Merchant Navy EAC

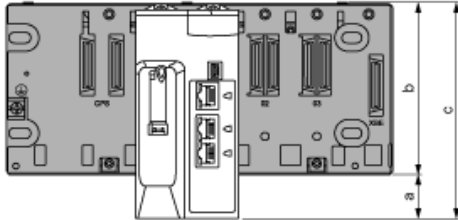
## Offer Sustainability

Sustainable offer status	Green Premium product
RoHS (date code: YYWW)	Compliant - since 1623 - Schneider Electric declaration of conformity <a href="#">Schneider Electric declaration of conformity</a>
REACH	Reference not containing SVHC above the threshold <a href="#">Reference not containing SVHC above the threshold</a>
Product environmental profile	Available
Product end of life instructions	Available

CPU Module Only



## Modules Mounted on Racks

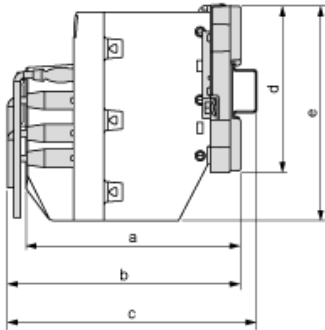


- a: additional space below the rack to accommodate the height of the CPU. For an X Bus rack, the value is 30.9 mm (1.217 in.); for an Ethernet rack, the value is 30.9 mm (1.217 in.).
- b: the height of the rack. For an X Bus rack, the height is 103.7 mm (4.083 in.); for an Ethernet rack, the height is 105.11 mm (4.138 in.).
- c: the height of the main local rack, 134.6 mm (5.299 in.).

---

Modules and Cables Mounted in an Enclosure

---



- a: enclosure depth: 135 mm (5.315 in.)
- b: wiring + module depth: > 146 mm (5.748 in.)
- c: wiring + module + DIN rail depth: > 156 mm (6.142 in.)
- d: rack height: for an X Bus rack 103.7 mm (4.083 in.); for an Ethernet rack, 105.11 mm (4.138 in.)
- e: module height: 134.6 mm (5.299 in.)