



Main

Range of product	Magelis Modular iPC
Product or component type	Flat screen
Terminal type	Touchscreen display
Device mounting	Flush
Integrated connection type	USB 2.0 type A at 1.5 Mbit/s, compatible with modular box PC

Complementary

Local signalling	Status LED
View angle horizontal x vertical	140 x 115°
Contrast ratio	500:1
Pixel resolution	2048 x 2048
Touchscreen resolution	2048 x 2048
Function available	Operate with water on screen
[Us] rated supply voltage	24 V DC power supply 100...240 V AC power supply 47...63 Hz
Supply voltage limits	18...36 V DC
Power consumption in W	44.9 W (typical) with Box PC HMIBMP 53.04 W (maximum) with Box PC HMIBMP 39.9 W (typical) with Box PC HMIBMU 48.04 W (maximum) with Box PC HMIBMU
Display size	15 inch
Display type	LED Colour TFT LCD
Display resolution	1024 x 768 pixels XGA
Display colour	16777216 colors
Luminance	300 cd/m ²
Backlight lifespan	50000 hours at 25 °C
Touch panel	Single touch analogue resistive
Type of installation	Indoor installation
Inrush current	8.9 A
Width	390.7 mm
Height	290 mm
Depth	Enclosure: 28 mm

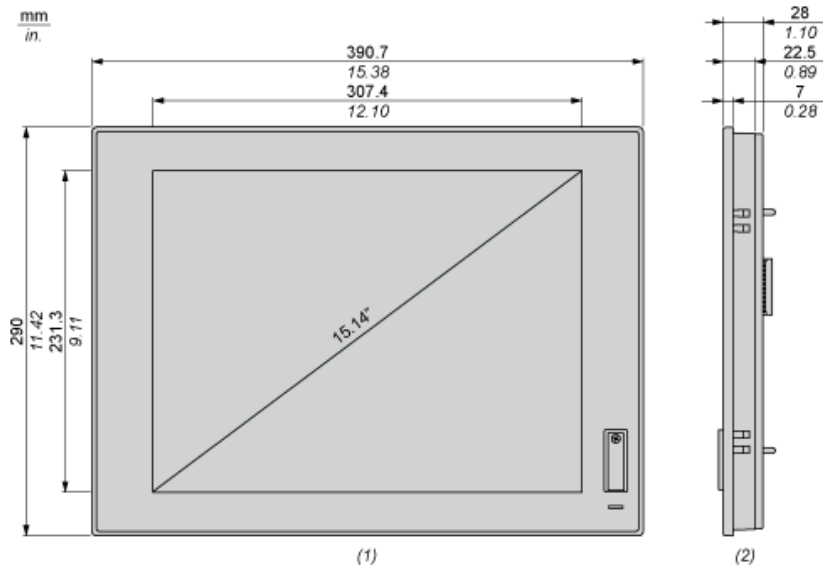
Disclaimer: This documentation is not intended as a substitute for and is not to be used for determining suitability or reliability of these products for specific user applications

	7 mm
Net weight	4.2 kg

Environment

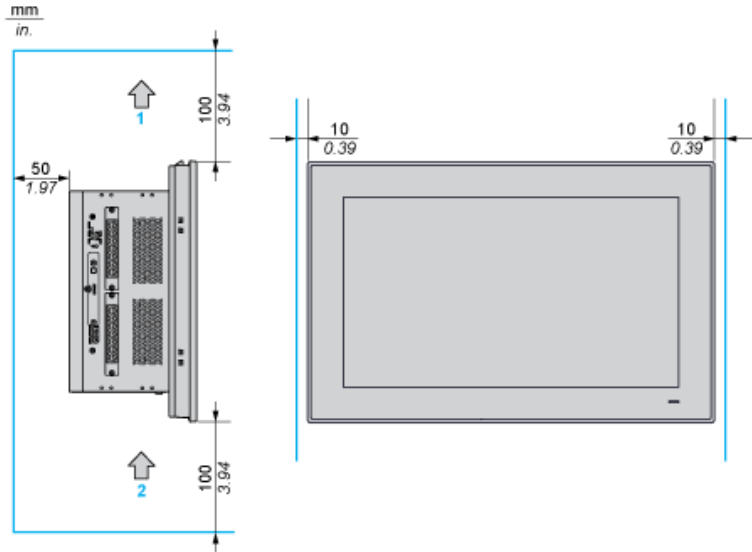
IP degree of protection	IP66
NEMA degree of protection	NEMA 4X
Standards	Class I division 2 CSA C22.2 No 213 CSA C22.2 No 142 UL 6110-2-201 Class I division 2 ANSI/ISA 12-12-01
Product certifications	EAC ATEX C-Tick IEC-Ex Marine GL Bridge CE
Ambient air temperature for operation	0...55 °C
Ambient air temperature for storage	-30...70 °C
Pollution degree	2
Relative humidity	10...95 % non-condensing
Operating altitude	2000 m
Vibration resistance	1 gn (f = 5...500 Hz)HDD 2 gn (f = 5...500 Hz)SSD 2 gn (f = 5...500 Hz)Cfast card

Dimensions



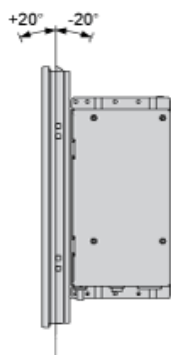
- (1) Front view
- (2) Right view

Spacing Requirements

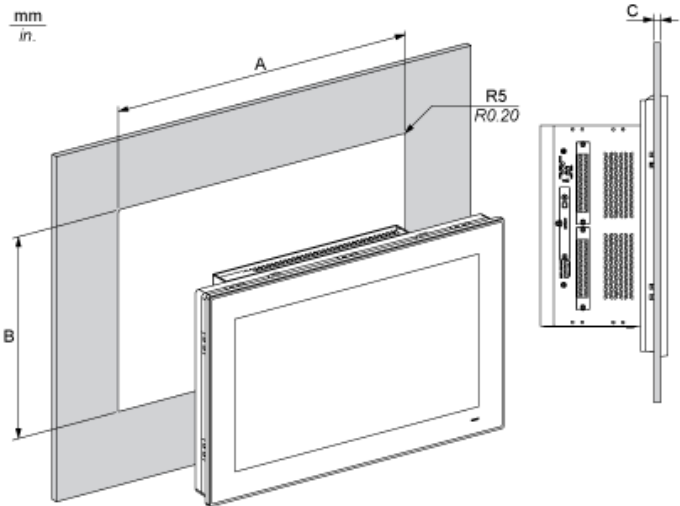


- 1 : Air out
- 2 : Air in

Mounting Orientation



Panel Cut Dimensions



A		B		C		R	
mm	in.	mm	in.	mm	in.	mm	in.
383.5	15.09	282.5	11.12	2...6	0.08...0.23	5	0.20