



Main

Range of product	Zelio Relay
Product or component type	Solid state relay
Device short name	SSLM
Network number of phases	1 phase

Complementary

Mounting support	Symmetrical DIN rail
[In] rated current	3 A
Output voltage	12...280 V AC
Control circuit voltage	4...28 V DC
Contacts type and composition	1 NO
Tightening torque	0.6...0.8 N.m
Connections - terminals	Screw terminals : 1 x 0.2...1 x 5.26 mm ² (AWG 24...AWG 10)
Switching voltage	4 V DC turn-on
Load current	0.1...3 A
Voltage drop	1.65 V on-state
Leakage current	<= 5 mA off-state
Overvoltage category	III
Width	7.5 mm
Height	80 mm
Depth	63 mm
Product weight	0.03 kg

Environment

Dielectric strength	4000 V for input/output
Pollution degree	2
Standards	UL 508

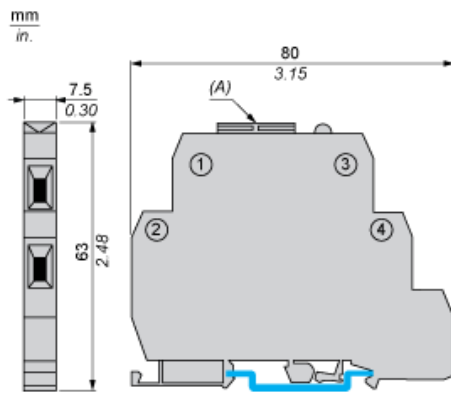
CSA C22.2 No 14
EN 60947-4-3

Product certifications	CSA UL EAC
Marking	CE CSA UL EAC
IP degree of protection	IP20
Ambient air temperature for operation	0...70 °C

Offer Sustainability

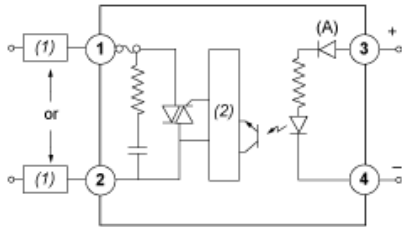
Sustainable offer status	Green Premium product
RoHS (date code: YYWW)	Compliant - since 1522 - Schneider Electric declaration of conformity Schneider Electric declaration of conformity
REACH	Reference not containing SVHC above the threshold Reference not containing SVHC above the threshold
Product environmental profile	Available Product environmental
Product end of life instructions	Available End of life manual

Dimensions



(A) Fuse Holder

Wiring Diagram



- 1,2 : Field VAC (Supply through Load)
- 3, 4 : Vcc
- (1) Load
- (2) Zero voltage detect
- (A) LED