



Main

| | |
|---------------------------------|--------------------------------------|
| Range of product | Zelio Relay |
| Product or component type | Solid state relay |
| Provided accessory | Thermal pad |
| Device short name | SSP1 |
| Mounting support | Panel |
| Number of phases | 1 phase |
| Contacts type and configuration | 1 NO |
| [In] rated current | 75 A |
| Solid state output type | Zero voltage switching SCR output |

Complementary

| | |
|-------------------------------------|--|
| [Uc] control circuit voltage | 4...32 V DC |
| Minimum switching voltage | 4 V DC turn-on |
| Maximum switching voltage | 1 V DC turn-off |
| Response time | 0.5 cycle turn-on 0.5 cycle turn-off |
| Input current | 7...12 mA |
| Output voltage | 48...660 V AC |
| Load current | 0.15...75 A |
| Transient overvoltage | 1200 V |
| Surge current | ≤ 1000 A for 16.6 ms |
| Maximum I ² t for fusing | 4150 A ² .s for 8.33 ms at 60 Hz half cycle 4555 A ² .s for 10 ms at 50 Hz half cycle |
| Co-ordination type | Type 1 - 50 A miniature circuit breaker (MCB) - curve B Type 2 - 40 A miniature circuit breaker (MCB) - curve B |
| Leakage current | ≤ 1 mA off-state |
| Voltage drop | 1.15 V on-state |

Disclaimer: This documentation is not intended as a substitute for and is not to be used for determining suitability or reliability of these products for specific user applications

| | |
|--|---|
| DV/Dt | 500 V/ μ s off-state at maximum voltage |
| Power factor | 0.5 with maximum load |
| Motor controller rating | 1.5 hp 120 V AC 3 hp 240 V AC 7.5 hp 480 V AC |
| Insulation resistance | 1000 MOhm at 500 V DC |
| Maximum capacitance | 8 pF for input/output |
| Dielectric strength | 4 kV AC for input/output 4 kV AC for input or output to case |
| [Uimp] rated impulse withstand voltage | 6 kV output to case 6 kV input to output |
| Tightening torque | 1.5...1.7 N.m for input 2...2.2 N.m for output |
| Connections - terminals | Forked type tag connectors : 9.2 x 4 mm for input Ring lugs : 9.2 x 4 mm for input Forked type tag connectors : 11.7 x 4.5 mm for output Ring lugs : 11.7 x 4.5 mm for output Screw terminals : 0.2...3.3 mm ² , (AWG 24...AWG 12) with cable end for input Screw terminals : 0.5...5.26 mm ² , (AWG 20...AWG 10) with cable end for output Screw terminals : 0.2...3.3 mm ² , (AWG 24...AWG 12) without cable end for input Screw terminals : 0.5...8.26 mm ² , (AWG 20...AWG 8) without cable end for output |
| Thermal resistance | 0.3 °C/W junction to case |
| Thermal pad impedance | 0.48 °C-in ² /W at 25 psi |
| LED indicator | LED, green for input |
| IP degree of protection | IP20 |
| Safety reliability data | MTTFd = 1875.9 years B10d = 1731395 |
| Product weight | 89.2 g |

Environment

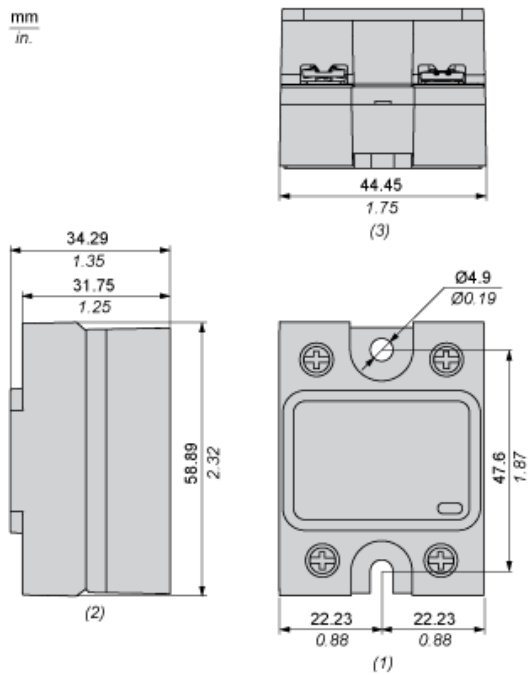
| | |
|---------------------------------------|--|
| Ambient air temperature for operation | -40...80 °C |
| Ambient air temperature for storage | -40...125 °C |
| Pollution degree | 2 |
| Overvoltage category | III |
| Product certifications | CE CSA RoHS UL REACH EAC |
| Marking | CE CSA UL EAC |
| Standards | EN/IEC 60950-1 UL 508 EN/IEC 62314 CSA C22.2 No 14-13 |

Offer Sustainability

| | |
|----------------------------------|---|
| Sustainable offer status | Green Premium product |
| RoHS (date code: YYWW) | Compliant - since 1522 - Schneider Electric declaration of conformity Schneider Electric declaration of conformity |
| REACH | Reference not containing SVHC above the threshold Reference not containing SVHC above the threshold |
| Product environmental profile | Available Product Environmental Profile |
| Product end of life instructions | Available End of Life Information |

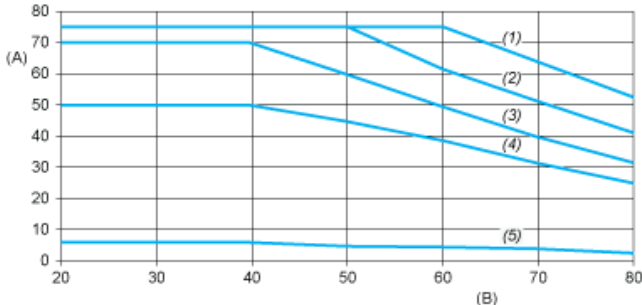
Dimensions

mm
in.



- (1) Front view
- (2) Side view
- (3) Bottom view

Derating Curves



- A : Load Current (Arms)
- B : Ambient Temperature (°C)
- (1) For Heatsink SSRHP02
- (2) For Heatsink SSRHP05
- (3) For Heatsink SSRHP07
- (4) For Heatsink SSRHD10
- (5) No Heatsink