



### Main

Range of product	Modicon M171
Product or component type	Display module
Display colour	Monochrome
Supply	External source

### Complementary

Display type	Matrix backlit LCD
Number of key	5
Display resolution	240 x 140 pixels
Colour	Grey
[Us] rated supply voltage	12 V AC 24 V AC 24 V DC
Power consumption in W	0 W 5 W
Marking	CE
Realtime clock	With clock
Local signalling	1 LED (green) 1 LED (yellow) 1 LED (red)
Product compatibility	Logic controller M171 performance
Height	160 mm
Width	90 mm
Depth	27 mm
Net weight	0.197 kg

### Environment

Standards	RoHS compliant
Product certifications	REACH CURus
IP degree of protection	IP65 front face:

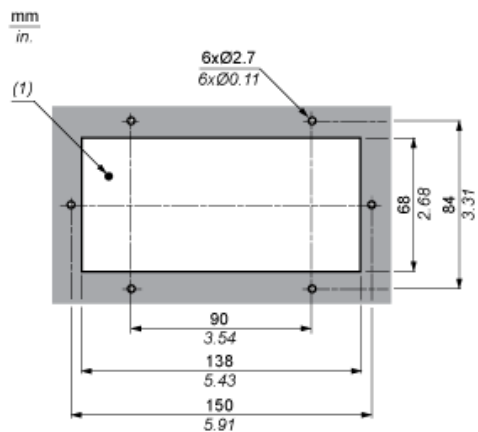
Disclaimer: This documentation is not intended as a substitute for and is not to be used for determining suitability or reliability of these products for specific user applications

Offer Sustainability

EU RoHS Directive	Pro-active compliance (Product out of EU RoHS legal scope) <a href="#">EU RoHS Declaration</a>
Mercury free	Yes
RoHS exemption information	<a href="#">Yes</a>
China RoHS Regulation	<a href="#">China RoHS declaration</a>
WEEE	The product must be disposed on European Union markets following specific waste collection and never end up in rubbish bins

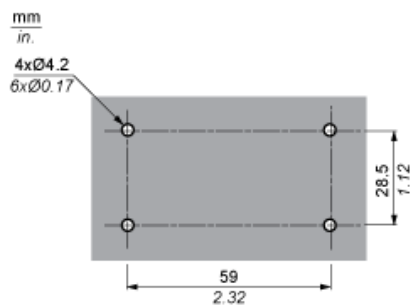
Mounting

Panel Mounting



(1) Panel cut out

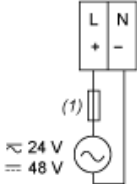
Wall Mounting



---

Power Supply

---

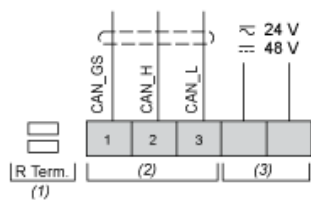


(1) Type T 630 mA fuse

---

CAN Expansion Bus Port

---



- (1) CAN terminal resistance
- (2) CAN
- (3) Power In