

High Amperage Analog Current Transducers

Universal output 0-5/10VDC, 4-20mA (loop and 3-wire)
 Space saving, easy to install rogowski coil
 Five models up to 6000A
 Four sizes from 9" to 36" circumference



DESCRIPTION

Rogowski analog transducers measure high amperage AC current and provide a proportional output for load trending and control. Rogowski coil covers wide amperages without saturation effects common to iron core sensors. Selectable ranges ensure excellent resolution.

APPLICATIONS

- Load trending
- Building mains
- Motor control
- Process control
- Chiller monitoring

FEATURES

Four selectable ranges per model

- Higher resolution
- Reduces inventory
- No call backs due to mis-sizing

Universal output

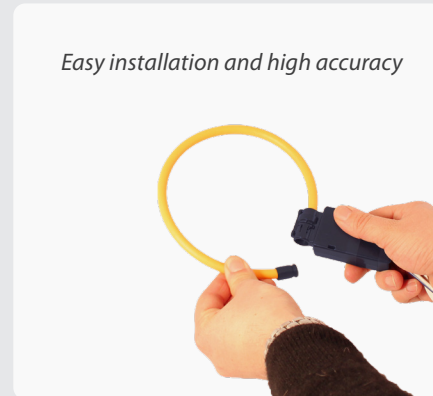
- Compatible with any system

Easy installation

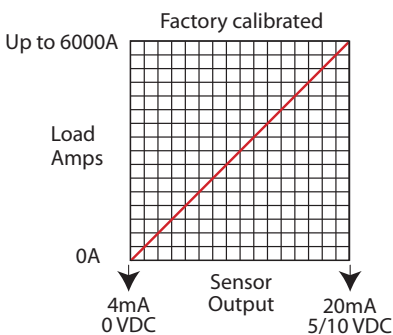
- Mount sensor without removing conductor for installation savings
- Rogowski coil is lightweight and space saving

Reliable and cost-effective

- Industry leading 7 year limited warranty

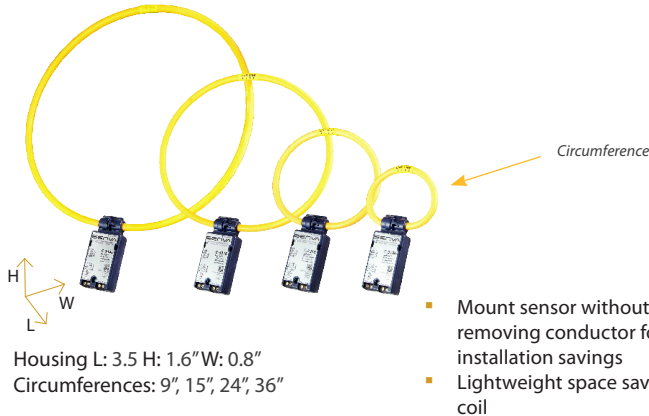


LINEAR ANALOG OUTPUT

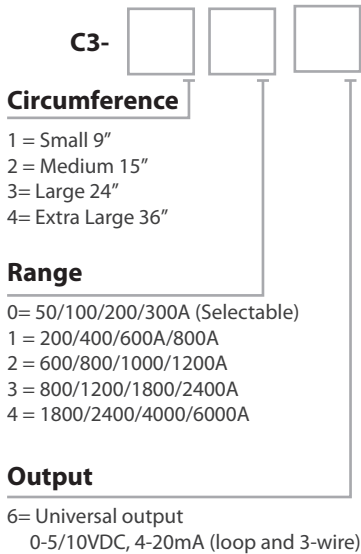


7 year limited warranty

ROGOWSKI ANALOG
C-3XXX



ORDERING

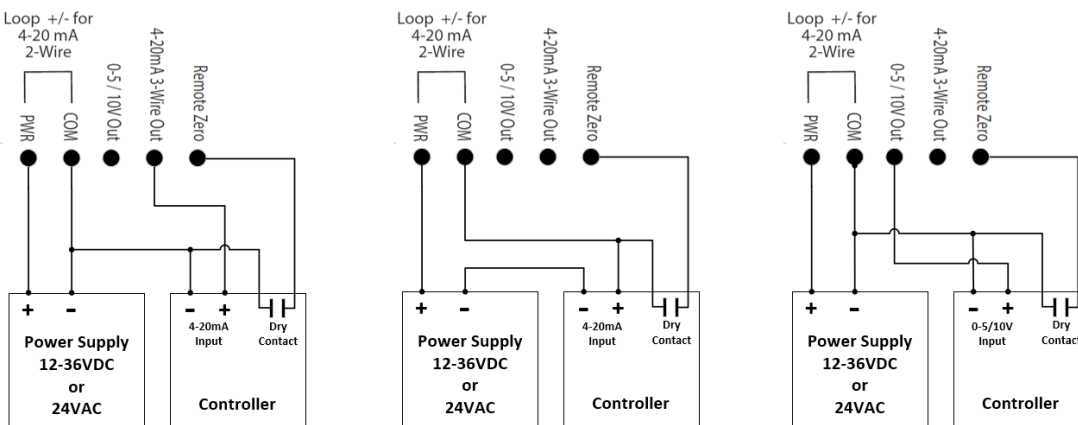


SPECIFICATIONS

Amperage Range	Varies by model 50 to 6000A
Output type	Universal (2-wire 4-20mA, 3-wire 0-5V/0-10V/4-20mA)
Accuracy	+/-2% F.S. over 10 to 100% range
Temperature rating	Maximum surrounding air ambient, 60 ° C 600V RMS. For use on insulated conductors only Use minimum 75 ° C insulated conductors
Insulation class	Must be installed at least 1/2" away from any uninsulated conductor This product provides basic insulation only
Sensor Power	12 to 30VDC/24VAC
Frequency Range	50/60Hz
Dimensions (LxWxH)	3.5" x 1.6" x 0.8"

For use in Pollution Degree 2 Environment.

TYPICAL WIRING



Warning: Refer to installation instructions that accompany product and heed all safety instructions.