

Duct Temperature Sensor, Bracket-Mounted

Product Description

The single point Duct Temperature Sensor assembly is inserted into the duct to provide an input to an equipment controller. It can be mounted on the outside of a square or round duct. The mounting plate is made of thin steel, which can be easily bent to conform to round or irregular contour ducts. See Figure 1.

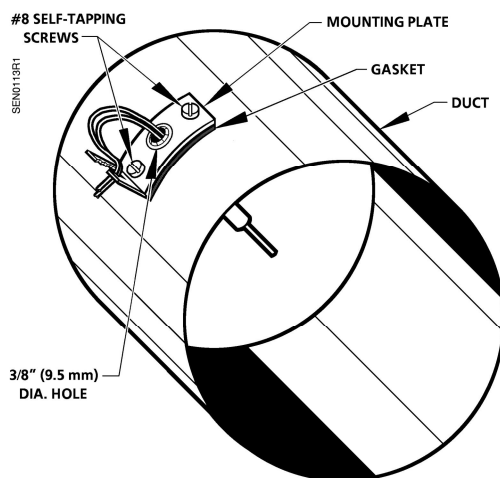


Figure 1. Sensor Assembly Mounted on a Round Duct.

Contents

Shipping carton includes: Sensor assembly with gasket, two No. 8 self-tapping screws, and two wire connectors.

Product Numbers

536-811	100K ohm Thermistor
QAM2030.010-BR	10K ohm Type II Thermistor

Required Tools

- Medium-duty electric drill with 3/8-inch and 1/8-inch (9.5 mm and 3 mm) drill bits
- Power screwdriver with 1/4-inch hex extension or medium, flat-blade screwdriver

Item No. 538-493, Rev. DA

Expected Installation Time

12 minutes

Prerequisites

- Review the instructions before beginning.
- Appropriate field wiring must be in place.

NOTE: All wiring must comply with National Electrical Code (NEC) and local regulations.

Installation

1. Drill a 3/8-inch (9.5 mm) diameter hole on the side of the duct where the sensor will be mounted.

NOTE: If you cannot use the self-tapping feature of the screws provided, use Figure 3 as a template and drill one 3/8-inch (9.5 mm) center hole and two 1/8-inch (3 mm) diameter holes where the sensor should be located.

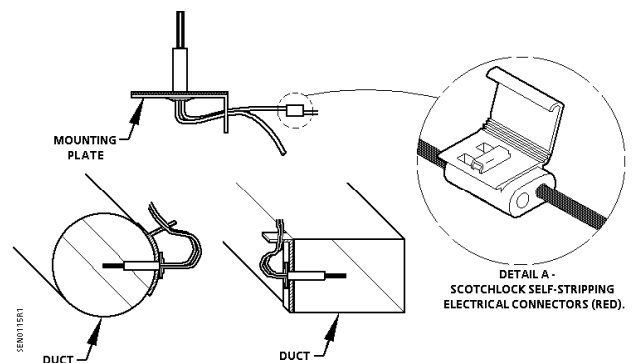


Figure 2. Single Point Thermistor Sensor Mounted on a Square or Round Duct.

2. Insert the sensor into the 3/8-inch hole in the duct.
3. Secure the sensor assembly to the duct with the two No. 8 self-tapping screws provided.

Installation, Continued

4. Use the two 3M[®] Scotchlock self-stripping, red electrical connectors to wire the sensor to the field wiring. No wire stripping is required to use the connectors. See Detail A in Figure 2. These connectors will accept 22 to 16 AWG solid or stranded wire.

5. After wiring connections are made, fasten the wires to the mounting plate with cable ties or other suitable means to relieve any strain.

The installation is now complete.

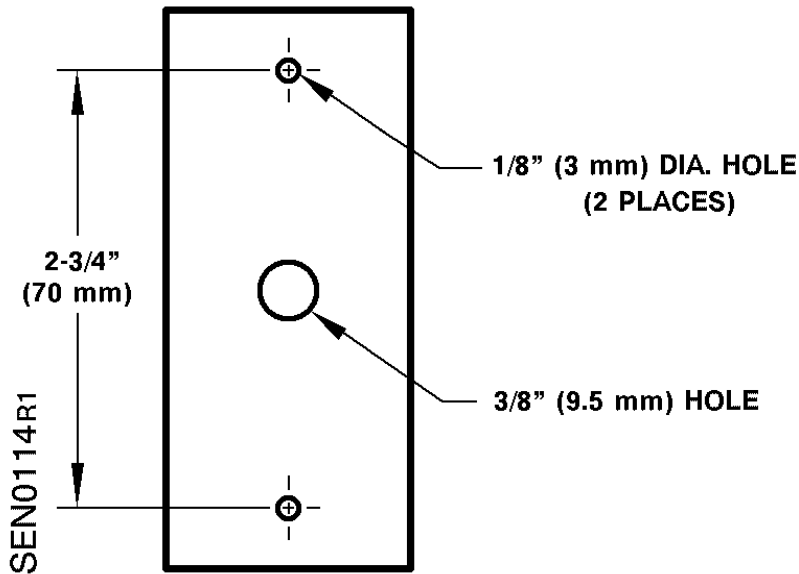


Figure 3. Template for Mounting Holes.

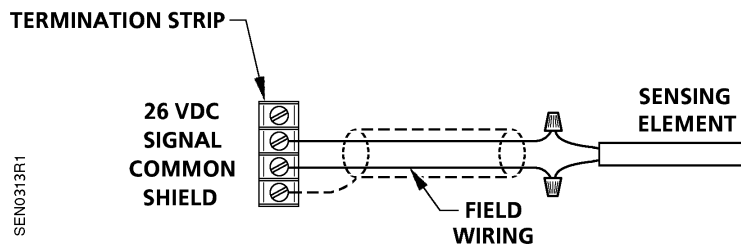


Figure 4. Wiring to the Controller.

- NOTE:**
1. Some Siemens Industry, Inc. controllers may require a shield termination.
 2. For individual panel wiring details, see the appropriate hardware manual.

Information in this publication is based on current specifications. The company reserves the right to make changes in specifications and models as design improvements are introduced. Scotchlock and 3M are registered trademarks of Minnesota Mining & Manufacturing Co. Other product or company names mentioned herein may be the trademarks of their respective owners. © 2016 Siemens Industry, Inc.