

Button Room Temperature Sensor for APOGEE TEC Controllers

Product Description

Button Room Temperature Sensors are self-contained, non-intrusive and tamper-resistant. They are available with either a 10K ohm thermistor (TEC compatible only) or 1K ohm Platinum (375 α) RTD.

Product Numbers

QAA1011.AASU	1K Platinum (375 α) RTD
QAA1011.AATU	1K Platinum (375 α) RTD *
QAA1031.AASU	10K NTC for TEC
QAA1031.AATU	10K NTC for TEC *

* with wall plate

NOTE: The QAA1011.AASU and QAA1011.AATU sensors are compatible with APOGEE controllers that accept 1K Ω Pt (375 α) RTD sensors.

The QAA1031.AASU and QAA1031.AATU sensors are specifically designed for use with the APOGEE TEC (Terminal Equipment Controller).

Required Tools

- 5/64-inch hex head Allen wrench
- Wire strippers/cutters

Expected Installation Time

5 minutes

Prerequisites

- 2-inch x 4-inch utility box (for QAA10X1.AATU versions)
- Field wiring pulled to the mounting location or utility box.

Installation

Select a location for the sensor based on the following guidelines:

- Locate sensor near the middle of an inside wall, approximately five feet (1.5 m) from the floor.

- Do not mount:
 - in direct sunlight or drafts, or near diffusers
 - behind doors or drapes
 - on walls used as return air plenums

Mounting Instructions (Without Utility Box QAA10X1.AASU)

1. Drill a 5/8-inch diameter hole in the wall where the sensor is to be located.
2. Pull the field wiring through the hole and connect it to the sensor. (See *Wiring Instructions*.)
3. Push the field wiring and connection through the hole and push the sensor into the hole.
4. Connect the field wires to the appropriate controller termination point. (See *Wiring Instructions*.)

The installation is now complete.

Mounting Instructions (With Utility Box QAA10X1.AASU)

1. Pull the field wiring from the utility box and connect it to the sensor. See Figure 1.

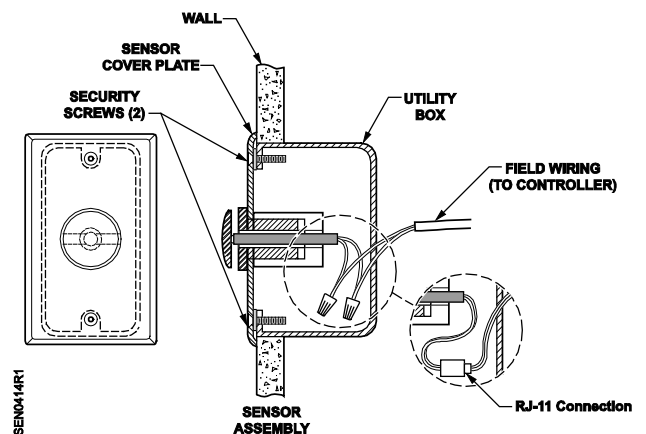


Figure 1. Installing the Sensor.

Mounting Instructions (With Utility Box QAA10X1.AASU) (Continued)

2. Push all wires back into the utility box.
3. Use the hex head Allen wrench to mount the sensor assembly to the utility box with the two security screws provided.
4. Connect the field wires to the appropriate controller termination point. (See *Wiring Instructions*.)

The installation is now complete.

Wiring Instructions (QAA1011.AAXU)

1. Connect the field wiring to the sensor lead wires using the wire nuts provided. See Figure 2.

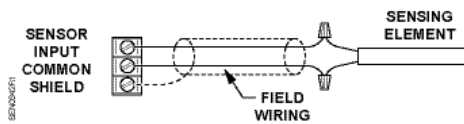


Figure 2. Wiring.

2. Connect the field wires to the appropriate controller termination point. (See *Wiring Instructions*.)

NOTE: Some Siemens Building Technologies, Inc. controllers may require a shield termination.

For individual panel wiring details, see the appropriate hardware manual.

Wiring Instructions (QAA1031.AAXU)

1. If you are using pre-terminated cable, skip to Step 3.
2. Using the room sensor connector tool, attach an RJ-11 plug to both ends of the field cable. Align the six wires in the same order on the connectors at both ends of the cable. See Figure 3.

PIN	Wire Color/Stripe
1	Green/white
2	Orange/white
3	Blue/white
4	White/blue
5	White/orange
6	White/green

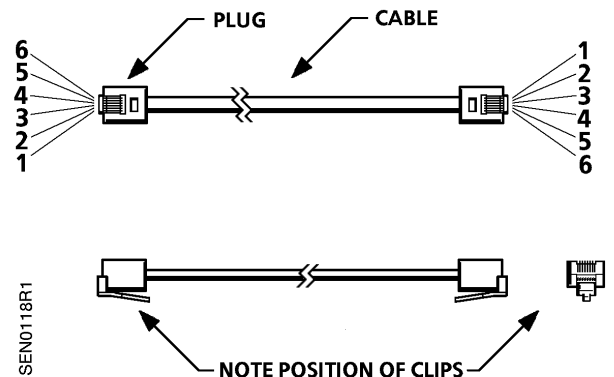


Figure 3: Terminating the Sensor Cable

3. Route the field wiring cable between the TEC and the 2 x 4-inch utility box or location where the button sensor is to be mounted.
4. Insert the RJ-11 plug on the field wiring by the TEC, into the RTS port.
5. Insert the RJ-11 plug on the field wiring by the button sensor, into the sensor's RJ-11 jack.

Information in this publication is based on current specifications. The company reserves the right to make changes in specifications and models as design improvements are introduced. Product or company names mentioned herein may be the trademarks of their respective owners. © 2009 Siemens Industry, Inc.