

## Spring Clip Mounting Kit for Finished Drywall

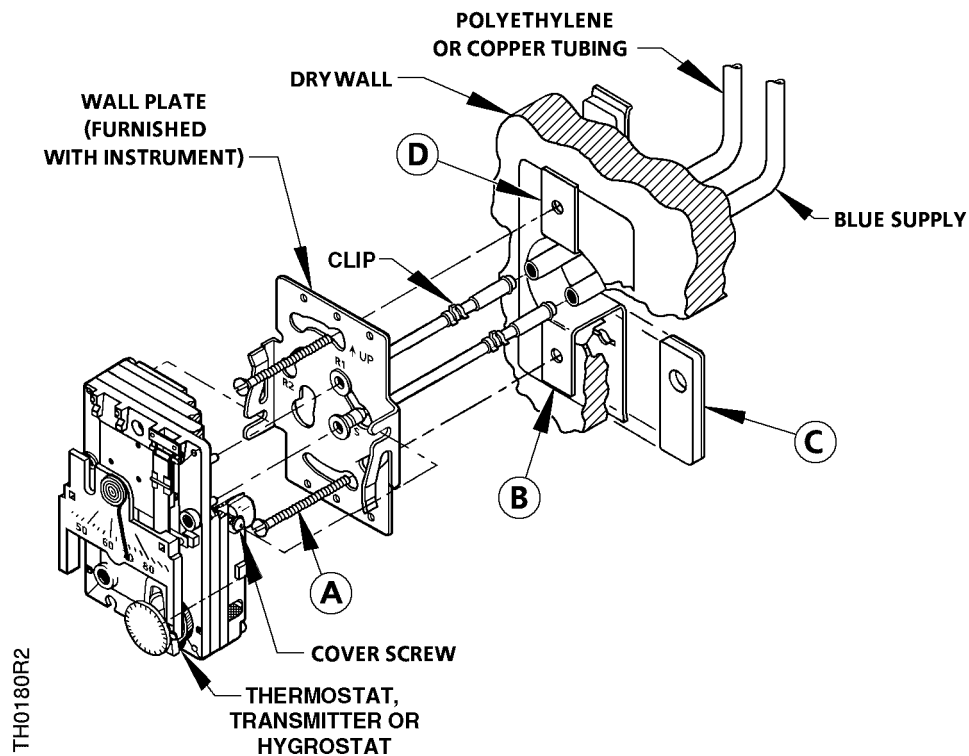


Figure 1.

### Product Description

This kit was designed specifically for 5/8-inch thick drywall. It can be used on 1/2-inch thick drywall, by using the stick-on spacers (supplied with the kit) to fill in the gap between the drywall and clip, and provide more holding power. It can also be used on plywood, paneling, or other types of wall sheathing material.

### Contents

The Spring Clip Mounting Kit for finished drywall consists of:

- A No. 6 x 1-1/4 inch long type "AB" flat-head steel screws (2)
- B Spring Clip (2)
- C Spacer (2)
- D Template

### Product Number

182-685

### Tools

- Drill and 5/8-inch drill bits
- 1-1/4 inch diameter hole saw
- Medium, flat-head screwdriver

### Prerequisites

Tubing Kit 192-481 or suitable kit for finished drywall installation.

## Installation

A typical installation procedure consists of the following steps:

1. Place template (D) on wall at the desired location. The template has adhesive on back, protected by paper; remove paper backing and make sure template is level before it sticks to the wall surface.
2. Drill two 5/32-inch diameter holes for No. 6 wall plate mounting screws.
3. Use 1-1/4 inch diameter hole saw to drill access hole in drywall where indicated on template.
4. For 5/8-inch thick drywall, insert the clips (B) with the long leg going thru the 1-1/4 inch access hole and resting flat against the back surface of the drywall. The wall is held between the two legs of the spring clips. Align screw holes in the clips (B) with holes on wall.

For 1/2-inch thick drywall, apply stick-on spacers (C), to the inner surface of the long leg of the clips. Insert the clips as previously mentioned.

5. Fish air lines through the 1-1/4 inch access hole (use tubing kit 192-481 or any tubing kit suitable for finished drywall installation).
6. Attach securely to the wall plate assembly (furnished with thermostat, transmitter or hygostat). Use tube clips to secure connections.
7. Remove air link and install plug-in adapters on wall plate.
8. Fasten wall plate to drywall using two screws (A).

**NOTE:** The wall plate may be leveled using the slotted hole.

The installation is now complete and ready to accept a thermostat, transmitter or hygostat.

Information in this publication is based on current specifications. The company reserves the right to make changes in specifications and models as design improvements are introduced. Product or company names mentioned herein may be the trademarks of their respective owners. © 2009 Siemens Industry, Inc.