

## Copper Tubing to Poly Tubing Adapter

### Product Description

This package contains 50 Flexible Poly Tubing Adapters. Each adapter is 24 inches (60 cm) long and connects 1/4-inch poly tubing to 1/4-inch copper tubing without the use of a compression fitting.

### Product Number

141-426

### Required Tools

- Fine grade sandpaper
- Copper tubing cutter

### Prerequisites

**NOTE:** This tubing adapter should be used in an indoor installation with an ambient temperature less than 110°F (43°C). The maximum operating pressure for this connection is 30 psi (207 kPa).

If the poly tubing is cold, assembly may be difficult. Allowing the tubing to reach room temperature, 72°F (22°C), before assembly will make installation easier.

### Installation

1. Cut the end of the copper tubing with a tubing cutter. Remove any burrs with sandpaper.
2. Roughen about one inch (25 mm) of the copper tubing with sandpaper to secure the connection. Wipe off any sanding residue.
3. Insert the copper tubing into the poly adapter, twisting the poly tubing during assembly.

**NOTE:** Insert the copper tubing to a minimum depth of 3/4-inch (20 mm).

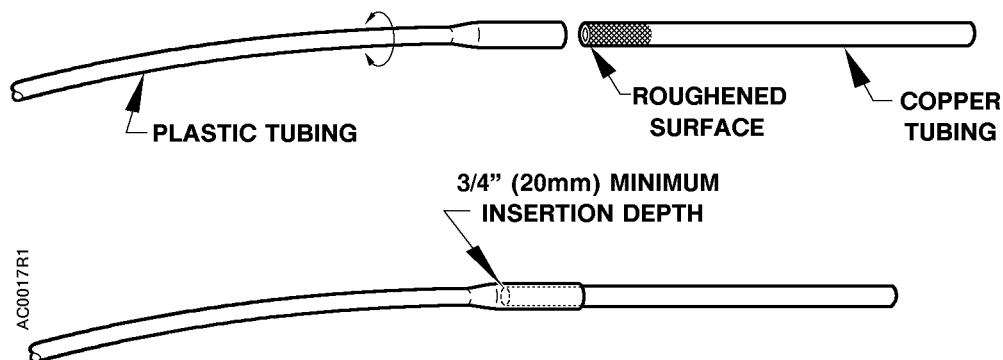


Figure 1. Flexible Adapter.

Information in this publication is based on current specifications. The company reserves the right to make changes in specifications and models as design improvements are introduced. Product or company names mentioned herein may be the trademarks of their respective owners. © 2009 Siemens Industry, Inc.