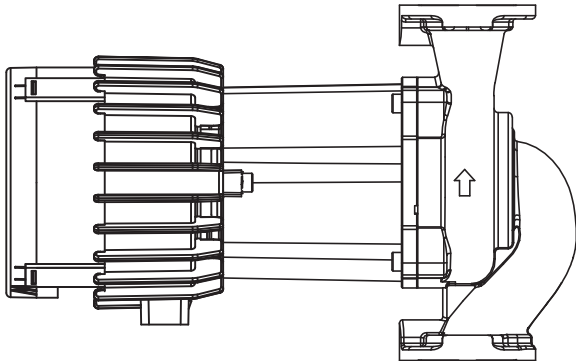


SUPERSEDES: March 1, 2016

EFFECTIVE: January 6, 2021



ITEM	DESCRIPTION
975-416RP	Rotating assembly cartridge Includes impeller, casing gasket, and 4 screws
975-420RP	Wiring connector (NPT to Metric adapter)
975-422RP	Casing gasket
007-007RP	Flange gasket set

