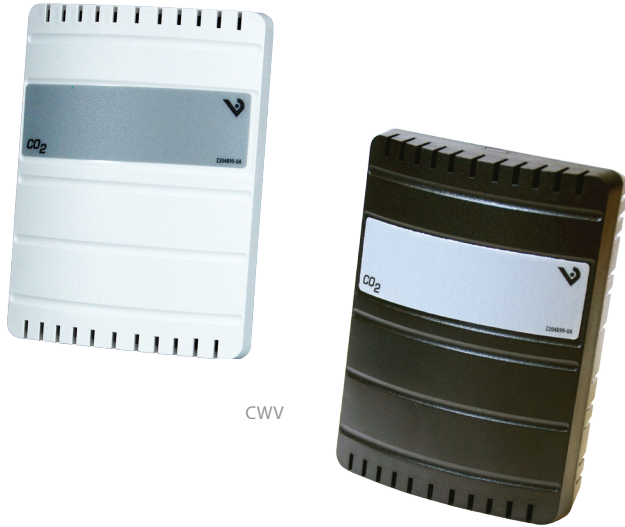


CWV SERIES

Dual Analog Outputs, Switchable 0 to 3/5/10 Vdc,
4 to 20 mA Output



CWV

The CWV Series is a non-dispersive infrared sensor designed for measuring CO₂ concentration in office and living spaces. Its 2000 ppm measurement range makes it an ideal solution for meeting ASHRAE and other ventilation control standards.

The CWV Series features multiple output options, microprocessor-based digital technology, and a unique self-calibration algorithm which improves long-term stability and accuracy.

SPECIFICATIONS

Input Voltage	Class 2; 20 to 30 Vdc, 24 Vac 50/60 Hz
Analog Output #1	4 to 20 mA (clipped & capped) or 0 to 3 Vdc/ 0 to 5 Vdc/0 to 10 Vdc (jumper selectable)
Analog Output #2	4 to 20 mA (clipped & capped) or 0 to 3 Vdc/ 0 to 5 Vdc/0 to 10 Vdc (jumper selectable)
Sensor Current Draw	200 mA Maximum
Operating Humidity Range	0 to 95% RH non-condensing
Operating Temp Range	0 to 50 °C (32 to 122 °F)
Housing Material	High impact ABS plastic
Terminal Block Torque	0.4 to 0.5 N-m (3.6 to 4.4 in-lbf) max.
Terminal Block Wire Size	24 to 14 AWG (02 to 2.5 mm ²)
Relay Contacts	1 A@30 Vdc, resistive; 30 W max.

CO₂ TRANSMITTER

Sensor Type	Non-dispersive infrared (NDIR), diffusion sampling
Measurement Range	0 to 2000 ppm
Accuracy	±40 ppm ±5.5% of measured value
Repeatability	±30 ppm ±4.5% of measured value
Response Time	<60 seconds for 90% step change

Microprocessor based

Microprocessor-based design reduces long-term drift and calibration requirements

NDIR

Non-dispersive infrared technology (NDIR) repeatable to ±30 ppm ±4.5% of measured value...high accuracy

Self-calibrating

Innovative self-calibration algorithm...easy to maintain. 5-year calibration interval (recommended).

Sensitivity

Low ambient sensitivity

ASHRAE 62.1

Improve comfort and facilitate compliance with ASHRAE 62.1 standard for air quality

DCV

Demand control ventilation (DCV) provides reduction in energy costs...helps with green branding initiatives

APPLICATIONS

- Controlling HVAC in response to occupancy
- Improving tenant comfort
- Schools, museums, airports, commercial buildings, etc.
- OEM applications
- Home automation
- Big-box retail

WARRANTY

Limited Warranty 1 year

AGENCY APPROVALS



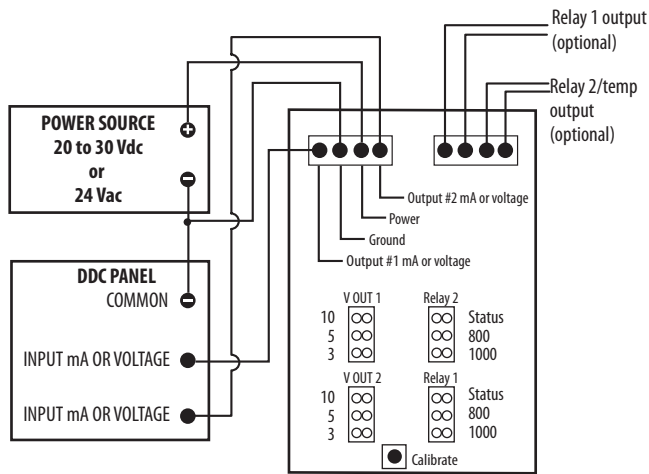
*The CE mark indicates RoHS2 compliance. Please refer to the CE Declaration of Conformity for additional details.

EMC Conformance: Low voltage directive 2014/35/EU & EMC directive 2014/30/EU.

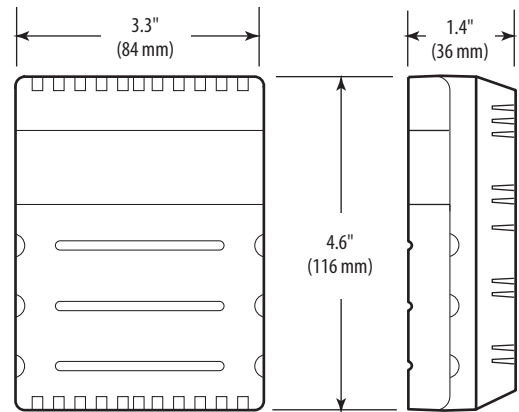
EMC Special Note: Connect this product to a DC distribution network or an AC/DC power adaptor with proper surge protection (EN 61000-6-1 specification requirements).



WIRING DIAGRAM



DIMENSIONAL DRAWING



ORDERING INFORMATION

Outputs	Relay Option	Thermistor/2nd Relay option	Warranty	Housing
CWVS <input type="checkbox"/> 1 = 0-3/5/10VDC and 4-20mA 2 = Dual 4-20mA 3 = Dual 0-3/5/10VDC	<input type="checkbox"/> X = None 1 = Relay	<input type="checkbox"/> X = No option B = 100R Platinum C = 1k Platinum D = 10k T2 E = 2.2k F = 3k H = 10k T3 J = 10k Dale K = 10k w/11k with shunt M = 20k NTC N = 1800 ohm P = 10m V/C R = 10k US S = 10k 3A 221 U = 20k "D", Thermistor W = 10k T2 high accuracy, Thermistor Y = 10k T3 high accuracy, Thermistor 1 = Relay	<input type="checkbox"/> 1 = 1 Year 3 = 3 Years 5 = 5 Years	<input type="checkbox"/> Blank = White/gray B = Black

Example: CWVS 1 1 1 5