



## Enercept® kW/kWh Transducers (4-20mA or Pulse Output)

### H804x & H805x Series



H804x/H805x

Patent #6,373,238

### SPECIFICATIONS



Agency Approvals	UL508
<b>INPUTS</b>	
Voltage Input	208/240 or 480VAC, 50/60 Hz RMS <sup>1,2,3</sup>
Current Input	Up to 2400A continuous per phase <sup>2,3</sup>
<b>ACCURACY</b>	
System Accuracy	±1% of reading from 10% to 100% of the rated current of the CTs, accomplished by matching the CTs with electronics and calibrating them as a system
<b>OUTPUTS</b>	
<b>H804x</b>	
Output	4-20mA
Supply Power (current loop)	9-30VDC, 30mA max.
<b>H805x</b>	
Pulsed Output	Field selectable; 1, 0.5, 0.25, 0.1kWh/pulse <sup>4</sup>
Pulsed Output Type	Normally Open, Opto-FET, 100mA@24VDC
<b>ENVIRONMENTAL</b>	
Operating Temp Range	0° to 60°C (32° F to 140°F), 50°C (122°F) for 2400A
Humidity Range	0 - 95% noncondensing; indoor use only

1. Do not install on the line or load side of a VFD unit, or on any other equipment generating harmonics. For line side applications, use the E5x Series meters.
2. Contact factory to interface with voltages above 480VAC or current above 2400 Amps.
3. Do not apply 600V Class current transformers to circuits having a phase-to-phase voltage greater than 600V, unless adequate additional insulation is applied between the primary conductor and the current transformers. Veris assumes no responsibility for damage of equipment or personal injury caused by products operated on circuits above their published ratings.
4. Count must be multiplied by the number of phases when using single CT models to monitor balanced multiphase systems.

### Integral Monitoring Solution Eliminates the Need for Separate Enclosures

#### FEATURES

- Revenue Grade measurements
- Fast split-core installation virtually eliminates the need to remove conductors...perfect for retrofits
- Precision meter electronics and current transformers in a single package... reduces the number of installed components...creating significant labor savings
- Smart electronics virtually eliminate the need to be concerned with CT orientation...fast trouble-free installation

#### APPLICATIONS

- Optimize chillers, pumps & cooling towers
- Energy management & performance contracting
- Control processes
- Activity-based costing in commercial and industrial facilities
- Monitor real-time power
- Load shedding

#### DESCRIPTION

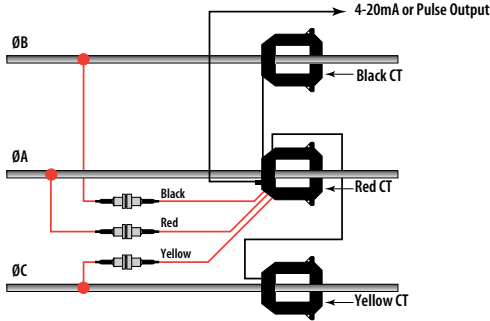
The **Enercept H804x and H805x Series** kW (real power)/kWh (consumption) transducers combine processing electronics & industrial grade CTs in an easy-to-install split-core package. These devices continuously measure voltage and current values for the monitored conductors and update calculations to provide highly accurate true RMS power readings. Models designed for balanced loads include one CT only, while models for unbalanced loads have three CTs for improved accuracy.

The unique design of the H804x/H805x Series transducers reduces the number of installed components, making them ideal for monitoring electrical power in commercial and industrial facilities. The H804x provides industry-standard 4-20mA output, and the H805x provides a pulse output.

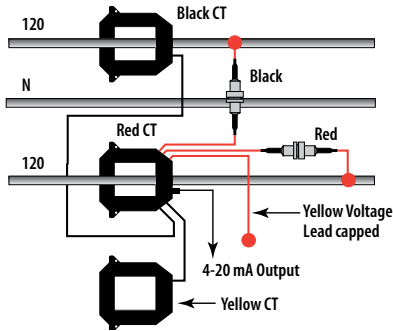
Installation is simple. The H804x/H805x eliminates the need to mount and wire a transducer and enclosure. CTs and voltage leads are color-matched, & the meters are designed to detect and automatically compensate for phase reversal. No more worries about CT load orientation.

**WIRING DIAGRAMS**

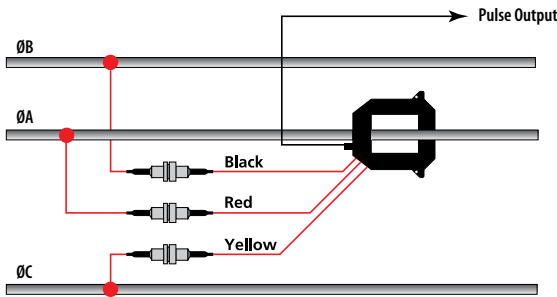
H804x/H805x 208 or 480VAC 3Ø, 3/4 Wire



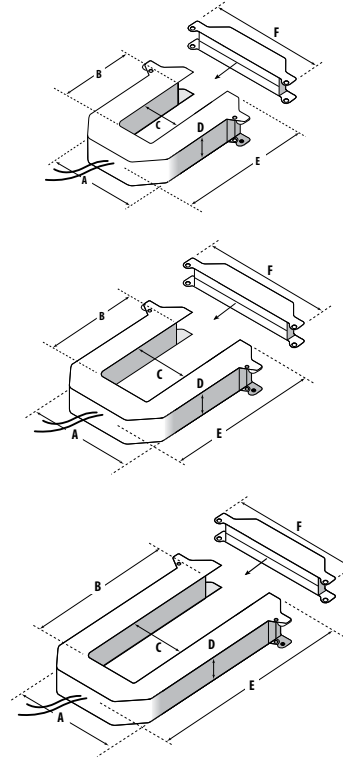
H804x 240VAC 1Ø, 3-Wire



H805x 208 or 480VAC 3Ø, 3/4-Wire



**DIMENSIONAL DRAWINGS**



**SMALL**  
100/300 Amp  
A = 3.8" (96 mm)  
B = 1.2" (30 mm)  
C = 1.3" (31 mm)  
D = 1.2" (30 mm)  
E = 4.0" (100 mm)  
F = 4.8" (121 mm)

**MEDIUM**  
400/800 Amp  
A = 4.9" (125 mm)  
B = 2.9" (73 mm)  
C = 2.5" (62 mm)  
D = 1.2" (30 mm)  
E = 5.2" (132 mm)  
F = 6.0" (151 mm)

**LARGE**  
800/1600/2400 Amp  
A = 4.9" (125 mm)  
B = 5.5" (139 mm)  
C = 2.5" (62 mm)  
D = 1.2" (30 mm)  
E = 7.9" (201 mm)  
F = 6.0" (151 mm)

**ORDERING INFORMATION**

**Pulse Output Power Transducers**

Single CT Models for Use with Balanced 3Ø Loads  
Three CT Models for Use with Unbalanced 3Ø Loads



MODEL	VOLTAGE	MAX. AMPS	OUTPUT	CT SIZE	CT TYPE
H8051-0100-2	208/480	100	Pulse	SMALL	Single CT Model
H8051-0300-2		300		SMALL	
H8051-0400-3		400		MEDIUM	
H8051-0800-3		800		MEDIUM	
H8051-0800-4		800		LARGE	
H8051-1600-4		1600		LARGE	Three CT Model
H8051-2400-4		2400		LARGE	
H8053-0100-2		100		SMALL	
H8053-0300-2		300		SMALL	
H8053-0400-3		400		MEDIUM	
H8053-0800-3	800	MEDIUM			
H8053-0800-4	800	LARGE			
H8053-1600-4	1600	LARGE			
H8053-2400-4	2400	LARGE			

**ORDERING INFORMATION**

**4-20 mA Output Power Transducers**

Single CT Models for Use with Balanced 3Ø Loads  
Three CT Models for Use with Unbalanced 3Ø Loads

MODEL	VOLTAGE	MAX. AMPS	OUTPUT	CT SIZE	CT TYPE
H8041-0100-2	208/240	100	4-20mA	SMALL	Single CT Model
H8041-0300-2		300		SMALL	
H8041-0400-3		400		MEDIUM	
H8041-0800-3		800		MEDIUM	
H8041-0800-4		800		LARGE	
H8041-1600-4		1600		LARGE	Single CT Model
H8041-2400-4		2400		LARGE	
H8042-0100-2		100		SMALL	
H8042-0300-2		300		SMALL	
H8042-0400-3		400		MEDIUM	
H8042-0800-3	800	MEDIUM			
H8042-0800-4	800	LARGE			
H8042-1600-4	1600	LARGE	Three CT Model		
H8042-2400-4	2400	LARGE			
H8043-0100-2	100	SMALL			
H8043-0300-2	300	SMALL			
H8043-0400-3	400	MEDIUM			
H8043-0800-3	800	MEDIUM			
H8043-0800-4	800	LARGE			
H8043-1600-4	1600	LARGE	Three CT Model		
H8043-2400-4	2400	LARGE			
H8044-0100-2	100	SMALL			
H8044-0300-2	300	SMALL			
H8044-0400-3	400	MEDIUM			
H8044-0800-3	800	MEDIUM			
H8044-0800-4	800	LARGE			
H8044-1600-4	1600	LARGE	Three CT Model		
H8044-2400-4	2400	LARGE			

**ACCESSORIES**

CT Mounting brackets (AH06)



AH06