

# Current Transducers with Relay: 4-20mA Analog Output

## H931 & H951



**Hawkeye™**

H931



### SPECIFICATIONS

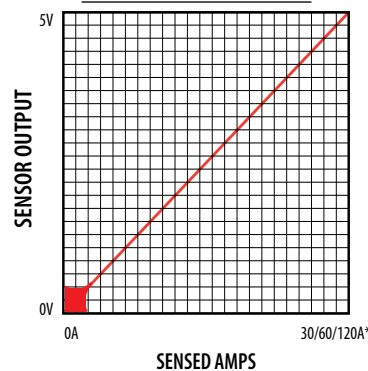


<b>Sensor Power</b>	30mA (max.)@12-30VDC
<b>Insulation Class</b>	600VAC RMS
<b>Frequency Range</b>	50/60 Hz
<b>Temperature Range</b>	-15° to 60°C (5° to 140°F)
<b>Humidity Range</b>	10-90% RH non-condensing
<b>Accuracy</b>	±2% F.S. from 10% to 100% (selected range)
<b>Response Time</b>	2 sec.
<b>Terminal Block Wire Size</b>	24-14 AWG (0.2 to 2.1 mm <sup>2</sup> )
<b>Terminal Block Torque</b>	3.5 to 4.4 in-lbs (0.4 to 0.5 N-m)
<b>Agency Approvals</b>	UL 508 open device listing, CAT III, pollution degree 2, basic insulation

Do not use LED status indicators as evidence of applied voltage

### EXAMPLE LINEAR OUTPUT

Scale software as shown



\*Factory calibrated ranges selected with the amperage range switch

## Load Trending and Control Relay In One Package

### FEATURES

- Loop-powered analog current transducer with integral start/stop command relay
- Reduces the number of installed components...saves time and space
- Self-gripping, split-core design for fast retrofit installation...no need to remove conductor
- One device to install for start/stop & status...reduces installation charges
- Power the current sensor and receive the 4-20mA signal with only two wires...fewer wires required than with traditional 3-wire sensors
- Selectable factory calibrated ranges up to 120A for increased flexibility and resolution
- Factory calibrated switch-selectable ranges (30/60/120A) for high resolution and installation ease
- No jumpers on unit...reduce installation error
- Removable mounting bracket for installation flexibility
- Bracket can be installed in three different configurations...added flexibility
- Command relay switches up to 5A@240VAC
- 5-year warranty

### DESCRIPTION

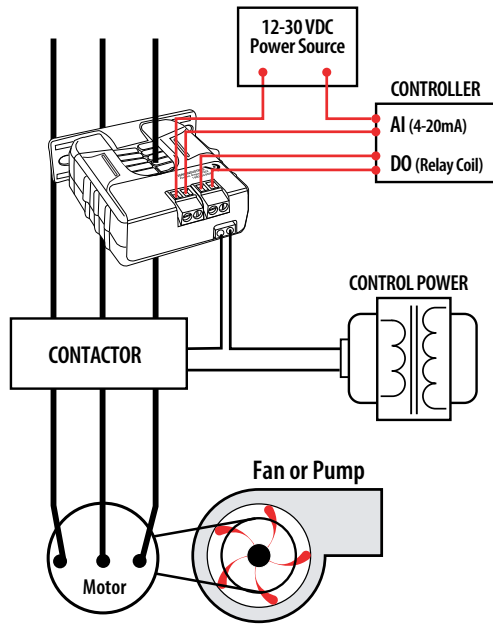
The **Hawkeye 931 and 951** provide accurate load trending information with a proportional 4-20mA output signal. These devices offer three amperage ranges for versatility, with easy slide-switch selection. The command relay is fully integrated in the device, but it is isolated from the current transducer. This combination makes these products ideal for start/stop control and status monitoring of motors, using one device instead of two.

### APPLICATIONS

- Load trending
- Motor control
- Positive proof of flow

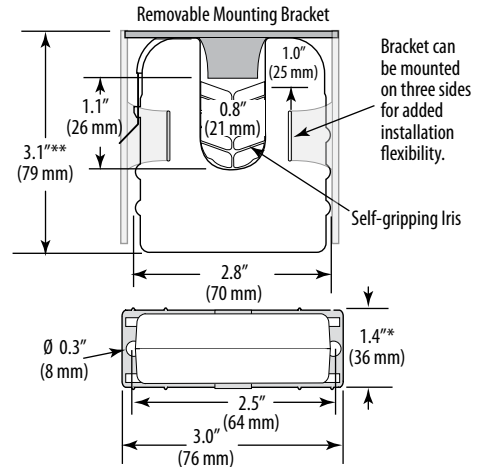
**WIRING DIAGRAM**

Trending & Controlling Motor Loads with the Hawkeye 931



**DIMENSIONAL DRAWING**

H931/H951



\* Terminal block may extend up to 1/8" over the height dimensions shown.  
 \*\* Slide switch may extend up to 1/4" over the height dimensions shown.

RELAY CONTACT RATINGS (N.O.)	
Resistive.....	5A@240 VAC 5A@30 VDC
Inductive.....	2A@240 VAC 2A@30 VDC
TYPICAL COIL PERFORMANCE	
<b>Voltage</b>	AC DC
24 (H931) .....	15 15
12 (H951).....	20
<b>Pull In Voltage (H951 only)</b>	
12VDC .....	8.4VDC
<b>Drop Out Voltage (H951 only)</b>	
12VDC .....	3.0VDC

**ORDERING INFORMATION**



MODEL	AMPERAGE RANGE	SENSOR OUTPUT	RELAY TYPE	RELAY COIL	RELAY	RELAY POWER LED	UL
H931	0 - 30/60/120A	4 - 20mA	SPST, N.O.	24VAC/DC	●	●	●
H951				12VDC nom.	●	●	●

**ACCESSORIES**

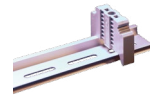
DIN Rail Clip Set (AH01)  
 DIN Rail (AV01) and DIN Stop Clip (AV02)



AH01



AV01



AV02