



# Current Transducers, Voltage Output

## SCT Series



SCT

## SPECIFICATIONS



Agency Approvals	cURus, ANSI/IEEE 57.13, CE, RoHS
<b>INPUTS</b>	
Frequency Range	50-400 Hz
Leads	8 ft (204 m)
<b>ACCURACY</b>	
Accuracy	±1% of reading from 10% to 130% of rated current
<b>OUTPUTS</b>	
Output @ Rated Current	0.333VAC
<b>MECHANICAL</b>	
Insulation	600VAC
<b>ENVIRONMENTAL</b>	
Installation Category III	Pollution Degree 2
Operating Temp Range	-10° to 55°C (14° to 131°F)
Storage Temp Range	-40° to 70°C (-40° to 158°F)

## Low Current Ranges

### FEATURES

- High accuracy: ±1% from 10% to 130% of rated current
- 0.333VAC standard output...compatible with existing systems
- Interleaving joints for reliability with a self-locking mechanism and no exposed metal
- UL recognized

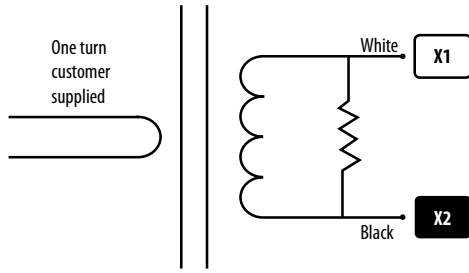
### DESCRIPTION

SCT AC current sensors have center hole sizes and current ratings to suit many application. SCT models have a split-core that is perfect for retrofits. Output is the industry standard of 0.333VAC.

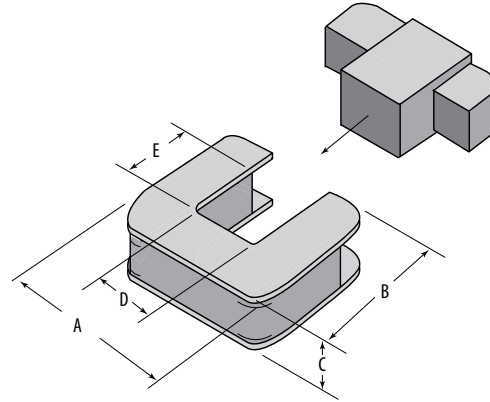
### APPLICATIONS

- Data logging
- Recording
- Power monitoring
- Energy management
- Alternative energy monitoring
- Cost allocation

WIRING EXAMPLE



DIMENSIONAL DRAWING



Model	A	B	C	D	E
SCT-0750-xxx	2.0" (51 mm)	2.1" (54 mm)	0.61" (16 mm)	0.75" (20 mm)	0.75" (20 mm)
SCT-1250-xxx	3.25" (83 mm)	3.35" (86 mm)	1.0" (26 mm)	1.25" (32 mm)	1.25" (32 mm)

ORDERING INFORMATION



MODEL	MANUF. PART NUMBER	RATING (A)	DESCRIPTION
U004-0030	SCT-0750-005	5	CT, Split-core, 5A:0.333VAC, 0.750" ID
U004-0031	SCT-0750-010	10	CT, Split-core, 10A:0.333VAC, 0.750" ID
U004-0032	SCT-0750-030	30	CT, Split-core, 30A:0.333VAC, 0.750" ID
U004-0033	SCT-0750-050	50	CT, Split-core, 50A:0.333VAC, 0.750" ID
U004-0034	SCT-0750-070	70	CT, Split-core, 70A:0.333VAC, 0.750" ID
U004-0035	SCT-0750-100	100	CT, Split-core, 100A:0.333VAC, 0.750" ID
U004-0036	SCT-0750-150	150	CT, Split-core, 150A:0.333VAC, 0.750" ID
U004-0037	SCT-0750-200	200	CT, Split-core, 200A:0.333VAC, 0.750" ID
U004-0038	SCT-1250-050	50	CT, Split-core, 50A:0.333VAC, 1.250" ID
U004-0039	SCT-1250-070	70	CT, Split-core, 70A:0.333VAC, 1.250" ID
U004-0040	SCT-1250-100	100	CT, Split-core, 100A:0.333VAC, 1.250" ID
U004-0041	SCT-1250-150	150	CT, Split-core, 150A:0.333VAC, 1.250" ID
U004-0042	SCT-1250-200	200	CT, Split-core, 200A:0.333VAC, 1.250" ID
U004-0043	SCT-1250-250	250	CT, Split-core, 250A:0.333VAC, 1.250" ID
U004-0044	SCT-1250-300	300	CT, Split-core, 300A:0.333VAC, 1.250" ID
U004-0045	SCT-1250-400	400	CT, Split-core, 400A:0.333VAC, 1.250" ID
U004-0046	SCT-1250-600	600	CT, Split-core, 600A:0.333VAC, 1.250" ID