

SDI SERIES

For Pipe Sizes 1-1/2" to Over 36"



NEMA 4 housing

Rugged and weather-proof

Highly durable

Stainless steel impeller, tungsten carbide shaft and Torion® bearing

Multiple outputs

Scaled pulse and 4 to 20 mA output available

Material options

Other materials available. See chart on facing page.

Fewer leaks

Viton® O-ring seal standard

The direct insert style liquid flow sensor with stainless steel/PPS plastic or PEEK plastic tip combines flow sensing with a built-in transmitter for an all-in-one flow measuring system. This device fits all 1-1/2" to over 36" (38 to 915 mm) pipes, and it is intended for direct installation into the pipe through a 1" NPT hole.

This sensor is available with or without hot tap capability. In the hot tap installation, the sensor is mounted in the pipe under pressure by attaching a service saddle or weld-on fitting to the pipe. Then the sensor assembly is attached to an isolation valve and extended into the pipeline to measure flow. Hot tap installations are often required in retrofit projects, but even in new construction, a hot tap sensor can be desirable for service considerations.

Software and programming cable are required to operate these meters. If the meter will be used for hot tap installation, the BGR-8A1027 tool is also needed (see Ordering Information).

APPLICATIONS

- Flow measuring projects
- True hot tap installations
- BTU applications (requires temperature sensors and transmitter/monitor)

SPECIFICATIONS

Recommended Design Flow Range	0.3 to 20 ft./sec
Pressure Rating	1000 psi @ 21 °C (70 °F)
Maximum Temp Rating	135 °C (300 °F)
Operating Temperature	Electronics: 20 to 65 °C (14 to 150 °F)
Pressure Drop	0.5 psi or less @ 10 ft/sec for all pipe sizes 1.5" diameter and up
Accuracy	±1% of rate over optimum flow range*
Repeatability	±0.5%

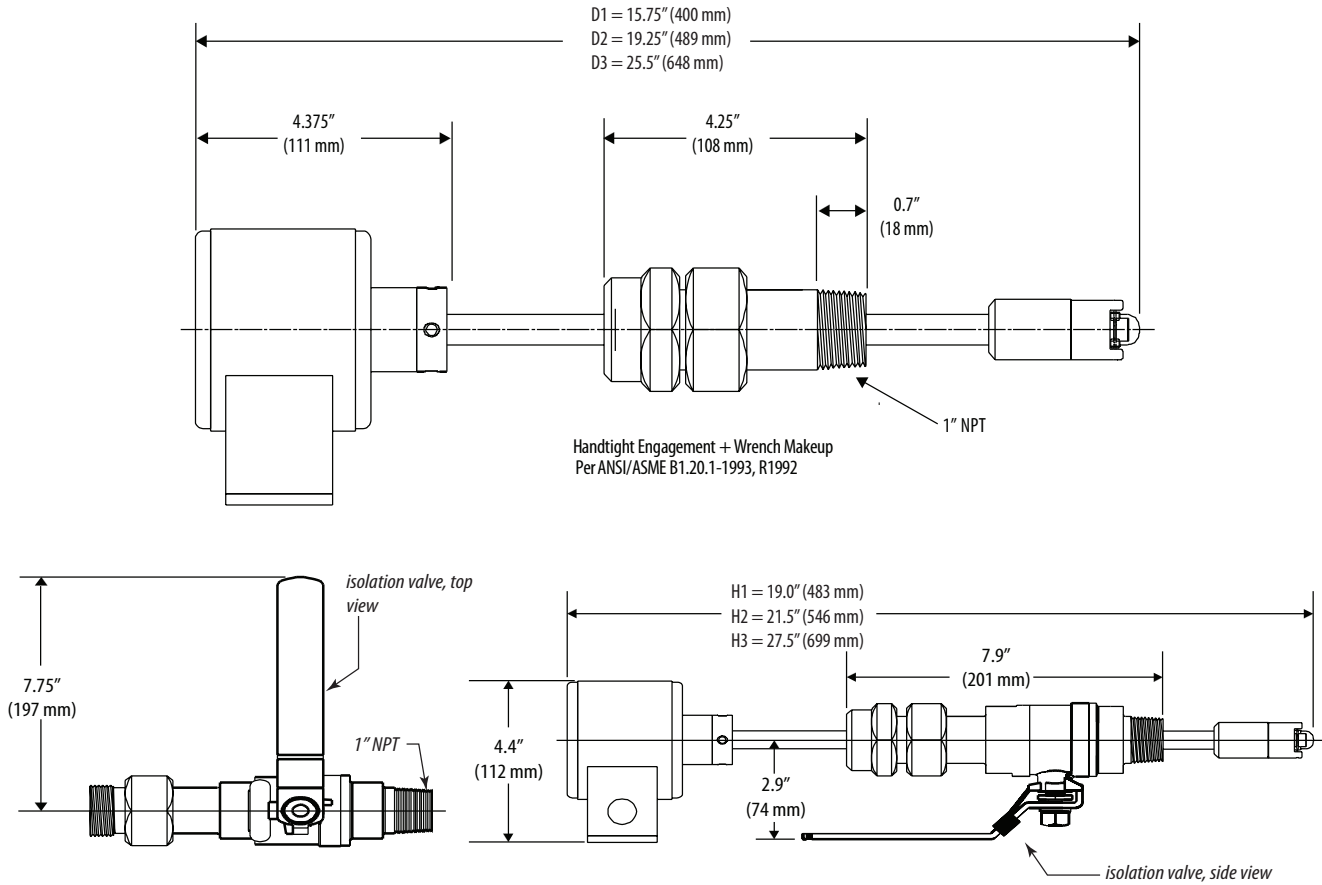
WARRANTY

Limited Warranty	1 year
------------------	--------

* ≥10 upstream and ≥5 downstream straight pipe diameters, uninterrupted flow.



DIMENSIONAL DRAWINGS



ORDERING INFORMATION - COMMON CONFIGURATIONS

VERIS PART #	MANUFACTURER PART #	DESCRIPTION
BGR-8A301-20*	8A301-20*	Flow, Programming Cable with CD for Badger/DI Prod, Serial PC Connector
BGR-840134-0002*	840134-0002*	Flow, Programming Data Converter with Cable and CD, USB PC Connector
BGR-8SDI0D1N10-0200	8SDI0D1N10-0200	Flow, SDI, SS, 1.5 to 10, 4 to 20 mA, No Display
BGR-8SDI0H1N10-0200	8SDI0H1N10-0200	Flow, SDI, Hot Tap, SS, 1.5 to 10, 4 to 20 mA, No Display
BGR-8A1027**	8A1027**	Flow, Tool, Hot Tap Adapter, 1" Machine to 1" NPT
BGR-8SDI0D1N00-0200	8SDI0D1N00-0200	Flow, SDI, SS, 1.5 to 10, Frequency, No Display
BGR-8SDI0H1N00-0200	8SDI0H1N00-0200	Flow, SDI, SS, 1.5 to 10, Hot Tap, Frequency, No Display

* Software and programming cable are required for analog, Modbus, LonWorks, BACnet transmitter and meter products.

** A1027 required to adapt SDI hot tap sensor 1" machine thread to 1" NPT for hot tap drilling tools.

ORDERING INFORMATION - SPECIAL ORDER MODELS***

Material	Type	Electronic Housing	Output	Display	O-Ring	Shaft	Impeller	Bearing
8SDI		N		-			0	0
0 = Stainless Steel/PPS plastic Tip 1 = Brass/PPS plastic Tip (no Hot Tap) 2 = Stainless Steel/PEEK plastic Tip	D1 = Direct Insert for Pipe 1½ - 10" D2 = Direct Insert for Pipe 12 - 36" D3 = Direct Insert 36" and up H1 = Hot Tap for Pipe 1½ - 10" H2 = Hot Tap for Pipe 12 - 36" H3 = Hot Tap 36" and up	= NEMA 4X	0 = Frequency (standard) 1 = Analog 4 to 20 mA 2 = Scaled Pulse 5 = Bidirectional, analog, 4 to 20 mA (hot tap SS only) 6 = Bidirectional, scaled pulse (hot tap SS only)	0 = No Display 1 = LCD Option (requires output option 1 or 2)	0 = Viton® (standard) 1 = EDPM 2 = AFLAS®	0 = Zirconia Ceramic (optional) 1 = Hastelloy® C-276 (optional) 2 = Tungsten Carbide (standard)	= Stainless Steel	
Example: 8SDI 1 D3 N 6 0 0 2 0 0								

*** Consult Veris sales to order these models.

