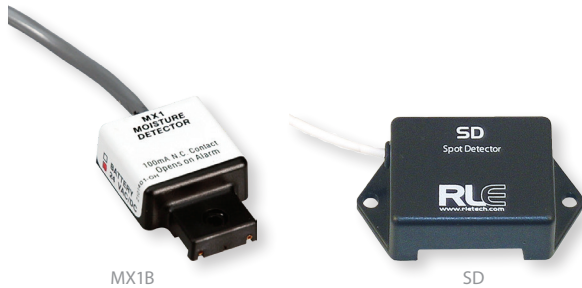


SD, SD-R01 & MX1B

Spot Leak Detectors



SD, SD-R01 and MX1B Spot Detectors detect conductive fluids at a single point for the most economical way to detect fluids in small, confined areas. These devices are commonly used in small rooms and in air-conditioning drip pans. Use only with SC conductive fluid leak detection cables.

Veris offers three spot detector models which can integrate with various building management systems.

MODEL	DESCRIPTION
SD Spot Detector	<ul style="list-style-type: none"> Operates on either 12 to 36 Vac or 18 to 36 Vdc power Includes a 14 ft. (4.2 m) leader cable
SD-R01 Spot Detector with Relay Output	<ul style="list-style-type: none"> Works with any system that accepts dry contacts Operates on 24 Vac/dc $\pm 10\%$ Automatically resets when conductive fluid is no longer present (AC power only; if DC power is used, device must be reset by disconnecting power momentarily) Includes a 14 ft (4.2 m) leader cable
MX1B Spot Detector	<ul style="list-style-type: none"> Battery operated

SPECIFICATIONS

SD & SD-R01

Input Power: SD-R01 Only	24 Vac/dc $\pm 10\%$; 0.1 A max. (AC: 50/60 Hz)
Storage Environment	-20 to 70 °C (-4 to 158 °F)

OUTPUTS

Solid-state: SD Only	12 to 36 Vac@0.01 A min., 0.1 A max., 50/60 Hz; 18 to 36 Vdc@0.01 A min., 0.1 A max.
Relay: SD-R01 Only	Dry Contact, Form C; 1 A@24 Vdc, 0.5 A @120 Vac resistive

LEADER CABLE (NSC)

Length: SD	14 ft. (4.2 m)
SD-R01	14 ft. (4.2 m)

OPERATING ENVIRONMENT

Temperature	0 to 50 °C (32 to 122 °F)
Humidity	5% to 95% RH non-condensing
Altitude	10,000 ft. (3,048 m) max.

WARRANTY

Limited Warranty	2 years
------------------	---------

Simple installation

Simple installation – screw, or ram-set to floor (SD & SD-R01)

Simple operation

Simple operation...no maintenance

Solid-state design

No moving parts to fail

Polymer coated

SD & SD-R01 models have polymer-coated sensing probes...no exposed metal that will rust

Durability

All models are fully potted for water resistance...maximum durability

SPECIFICATIONS

MX1B

Input Power	Typical 10-year life lithium battery
Output	N.C. solid-state, (opens on alarm)
Output Rating	30 Vac/dc@0.1 A max., not polarity sensitive
Sensing Electrodes	Gold plated

OPERATING ENVIRONMENT

Temperature	-20 to 80 °C (-4 to 176 °F)
Humidity	0 to 100% RH
Water Resistance	Not for continuous submersion

WARRANTY

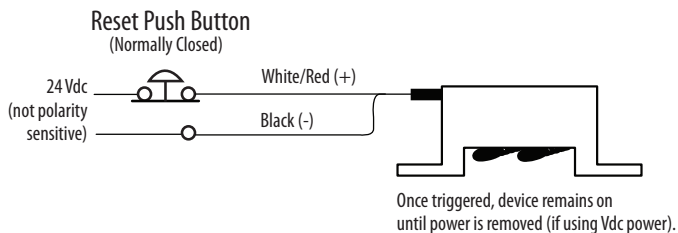
Limited Warranty	5 years
------------------	---------

AGENCY APPROVALS



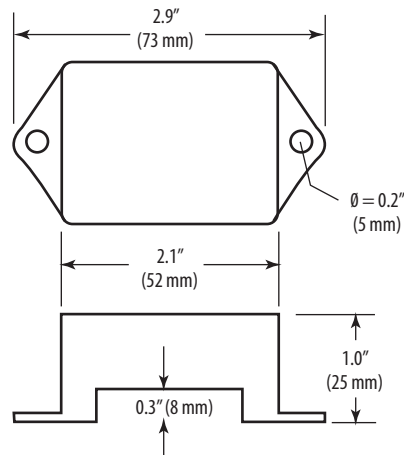
SD

Wiring Diagram



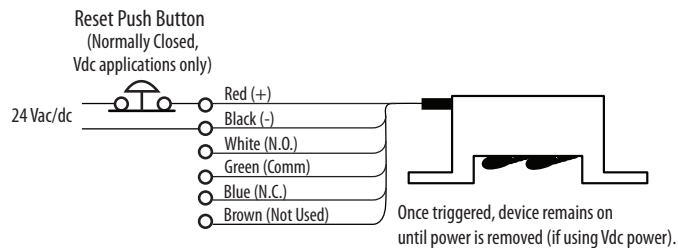
SD SERIES

Dimensional Drawing



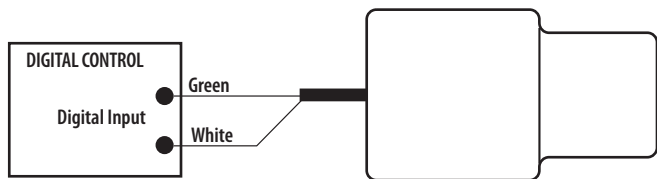
SD-R01

Wiring Diagram



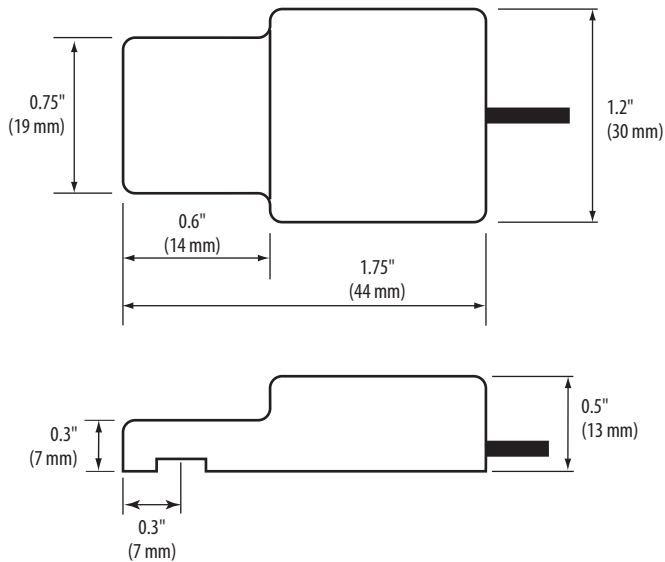
MX1B

Wiring Diagram



MX1B

Dimensional Drawing



ORDERING INFORMATION

MODEL	MANUF. PART #	DESCRIPTION	CE	ETL
U006-0006	SD	Spot Detector, 14' leader cable	•	•
U006-0007	SD-R01	Spot Detector, 14' leader cable, relay out	•	•
U006-0085	SD-R02	Spot Detector, 14' leader cable, audible alarm, status LED, dual relay out	•	•
MX1B	MX1B	Spot Detector, battery		

