

# VICTORY 320 & 420

DPDT Relays Provide Versatility



The Victory 320 and 420 DPDT power duty enclosed relays combine industrial strength and ease of use. With the nipple mount enclosure, installation could not be easier. The V320/V420 need no dedicated field enclosure, so they are the ideal retrofit devices. One coil input controls the state of two power rated contacts for the simultaneous control of two devices or both poles of a single-phase circuit, e.g. motor loads. Field-selectable high and low voltage coil inputs provide on-site versatility.

## SPECIFICATIONS

|                          |  |
|--------------------------|--|
| Operating Temp Range     | -40° to 40°C (-40° to 104°F)   |
| Operating Humidity Range | 10 to 90% RH non-condensing  |
| Expected Relay Life      | Electrical (@ rated current) 100,000 cycles;<br>Mechanical (unpowered) 10,000,000 cycles |
| Relay Status             | LED ON=energized   |
| Insulation Class         | 277 Vac RMS  |

### WIRE SPECIFICATIONS

|             |  |
|-------------|--|
| Lead Length | 14" (356 mm) min.  |
| Gauge       | UL1015;<br>Coil: 18 AWG;<br>Contacts: 12 AWG;<br>HOA monitor wires: 16 AWG |

### WARRANTY

|                  |         |
|------------------|---------|
| Limited Warranty | 5 years |
|------------------|---------|

### AGENCY APPROVALS

|                  |        |
|------------------|--------|
| Agency Approvals | UL 508 |
|------------------|--------|



## Sleek enclosure

Reduces the need for panel space

## Flexible wire

Flexible tinned stranded wire... fits easily in tight spaces and provides secure connections to wire nuts

## Nipple mount

Can be mounted to any electrical enclosure, easing installation

## UL508 Listed

Designed and listed for field installation...makes electrical inspection a snap

## APPLICATIONS

- Command contactors
- Control motors
- Isolation
- Device interlocking
- Relay logic
- Sense voltages for alarm conditions

### TYPICAL COIL PERFORMANCE

| Voltage | Coil Current |       |
|---------|--------------|-------|
|         | AC           | DC    |
| 24 V    | 150 mA       | 64 mA |
| 120 V   | 84 mA        |       |
| 277 V   | 102 mA       |       |

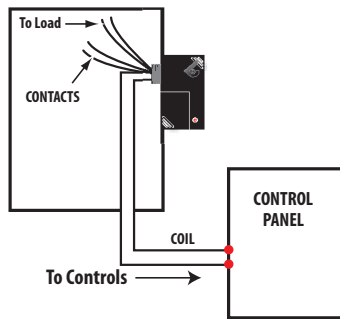
### CONTACT RATINGS

|            |  |
|------------|--|
| Resistive  | 20 A @ 277 Vac, 28 Vdc                     |
| Motor      | 120 Vac, 1 HP<br>277 Vac, 2 HP             |
| Pilot Duty | A300                                       |
| Ballast    | 20 A @ 277 Vac N.O.<br>10 A @ 277 Vac N.C. |
| Tungsten   | 10 A @ 120 Vac N.O.<br>2 A @ 120 Vac N.C.  |

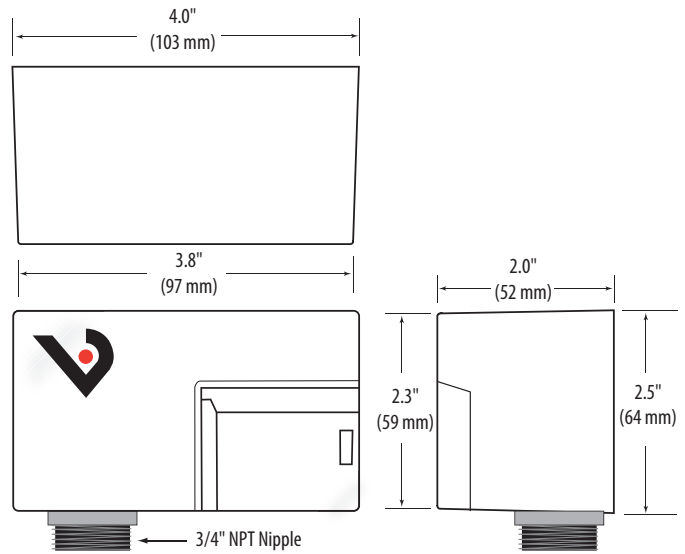


### NIPPLE MOUNT DIRECTLY TO A PANEL

Wiring Diagram

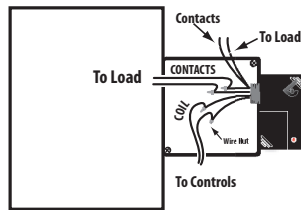


### DIMENSIONAL DRAWING

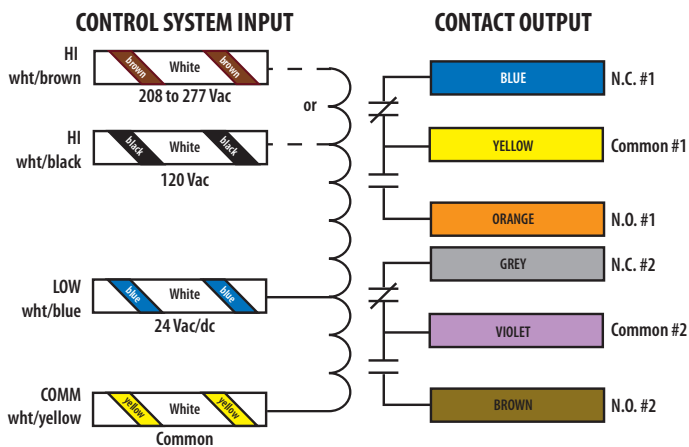


### NIPPLE MOUNT TO ANY 2X OR 4X ELECTRICAL BOX

Wiring Diagram



### WIRE COLOR CODES



### ORDERING INFORMATION

| MODEL | RELAY | COIL                      | AMPERAGE RATING | RELAY POWER LED | UL |
|-------|-------|---------------------------|-----------------|-----------------|----|
| V320  | DPDT  | 24 Vac/dc, 120 Vac        | 20 A            | •               | •  |
| V420  |       | 24 Vac/dc, 208 to 277 Vac |                 | •               | •  |

Note: Some units are Plenum rated per UL 1995. For details, see White Paper VWP01, *UL 1995 and Plenum Ratings*, at [www.veris.com](http://www.veris.com).

