



Enclosed Victory Relays: 10A SPST with HOA Switches

Victory 101, 102, & 103 Series



Cover conceals HOA switch



V101/
V201



V101D/
V201D



V102/
V202

Relays With HOA Switches For Local Control

FEATURES

- Sleek field enclosure reduces the need for panel space
- The nipple mount feature allows the Victory series to be mounted to any electrical enclosure easing installation
- Flexible tinned stranded wire...fits easily in tight spaces and provides secure connections to wire nuts
- UL508 Listed...designed and approved for field installation... makes electrical inspection a snap
- Concealed HOA switch reduces the likelihood of tampering
- Reduce costly control system override and service calls
- The HOA monitors (available with the V102/V202 & V103/V203 models) allow the control system to notify building operating personnel when a load is inadvertently left in ON or OFF position.

DESCRIPTION

With a concealed HOA switch for local control and troubleshooting, the **Victory 101, 102, and 103 Series** relays provide HOA flexibility while limiting unauthorized switch manipulation. To further guard against control system override, some relays are equipped with a monitored HOA. The V102/V202 provide a two-wire resistive output and the V103/V203 offer a three-wire digital monitor. Now your customers and technicians can enjoy the benefit of local control without the problems often caused by override.

SPECIFICATIONS



| | |
|---|--|
| Operating Temp Range | -40° to 55°C (-40° to 131°F) |
| Operating Humidity Range | 10-90% RH non-condensing |
| Expected Relay Life | Electrical (@ rated current) 100,000 cycles; Mechanical (unpowered) 10,000,000 cycles |
| Relay Status | LED ON=energized |
| Insulation Class | 600VAC RMS |
| Agency Approvals | UL 508 |
| WIRE SPECIFICATIONS | |
| Lead Length | 14" (356 mm) min. |
| Gauge | UL1015; Coil: 18 AWG; Contacts: 16 AWG; HOA monitor wires: 16 AWG |
| V102/V202 RESISTIVE MONITOR MAXIMUMS | |
| Voltage Max. | 13.4VAC/DC |
| Current Max. | 4mA AC/DC |
| V103/203 DIGITAL MONITOR MAXIMUMS | |
| Dry Circuit Contact Rating (Max.) | 24VAC/DC@100mA |

TYPICAL COIL PERFORMANCE

| Pull in Voltage | AC | DC |
|------------------|--------------|------|
| | 10-30V..... | 8 |
| 120V..... | 78 | |
| 208-277V..... | 154 | |
| Drop Out Voltage | AC | DC |
| | 10-30V..... | 2 |
| 120V..... | 18 | |
| 208-277V..... | 36 | |
| Voltage | Coil Current | |
| | AC | DC |
| 10V..... | 25mA | 14mA |
| 24V..... | 31mA | 16mA |
| 30V..... | 39mA | 18mA |
| 120V..... | 22mA | - |
| 208V..... | 19mA | - |
| 277V..... | 25mA | - |

CONTACT RATINGS

| | |
|-----------------------------------|--------------|
| V101, V201, V101D*, V201D* | |
| Resistive..... | 10A@250VAC |
| Motor..... | 1/3HP@120VAC |
| Gold Flash..... | Yes |
| V102, V103, V202, V203 | |
| Resistive..... | 10A@277VAC |
| Motor..... | 1/3HP@240VAC |
| Gold Flash..... | Yes |

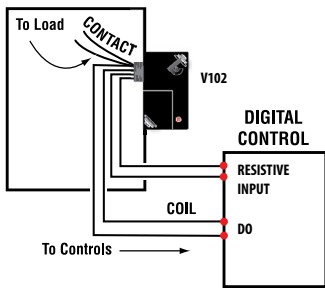
*each relay

APPLICATIONS

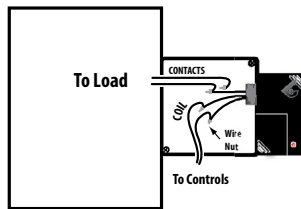
- Command contactors
- Control motors
- Isolation
- Device interlocking
- Relay logic
- Sense voltages for alarm conditions

WIRING DIAGRAM

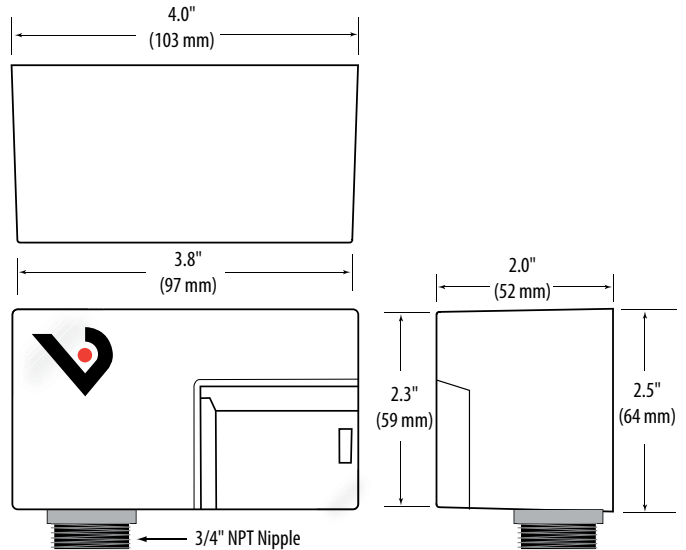
Nipple mount directly to a panel



Nipple mount to any 2x or 4x electrical box



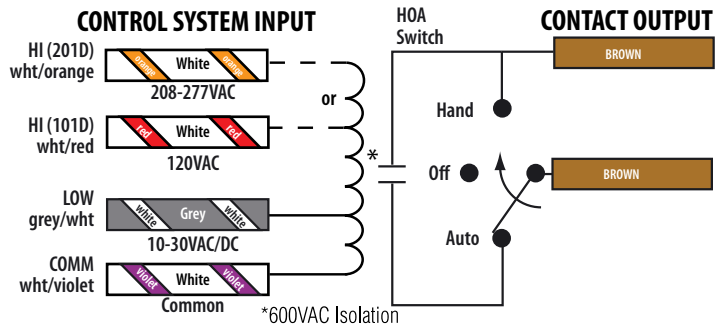
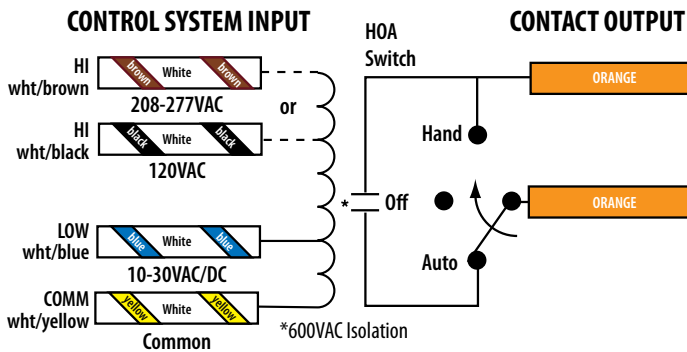
DIMENSIONAL DRAWING



WIRE COLOR CODES

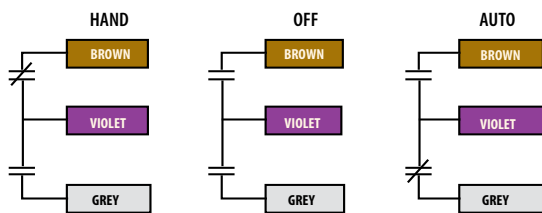
Primary

Relay #2 for V101D/V201D only



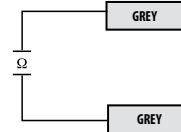
V103/203 Digital HOA Position Monitor

V102/202 Resistive HOA Position Monitor



Switch Positions:
 HAND = Brown wire closed to Common
 OFF = Both wires open to Common
 AUTO = Grey wire closed to Common
 VIOLET = Common

Switch Positions: Cable Faults:
 HAND ~ 1.4kΩ OPEN = Infinite Ω
 OFF ~ 6.2kΩ SHORT ~ 0Ω
 AUTO ~ 3.4kΩ



ORDERING INFORMATION

| MODEL | RELAY | COIL | AMPERAGE RATING | HOA | HOA MONITOR | RELAY POWER LED | UL |
|-------|---------------|-------------------------|-----------------|-----|-------------|-----------------|----|
| V101 | SPST, N.O. | 10-30VAC/DC, 120VAC | 10A | ● | None | ● | ● |
| V101D | 2x SPST, N.O. | 10-30VAC/DC, 120VAC | | ● | None | ● | ● |
| V102 | SPST, N.O. | 10-30VAC/DC, 120VAC | | ● | Resistive | ● | ● |
| V103 | SPST, N.O. | 10-30VAC/DC, 120VAC | | ● | Digital | ● | ● |
| V201 | SPST, N.O. | 10-30VAC/DC, 208-277VAC | | ● | None | ● | ● |
| V201D | 2x SPST, N.O. | 10-30VAC/DC, 208-277VAC | | ● | None | ● | ● |
| V202 | SPST, N.O. | 10-30VAC/DC, 208-277VAC | | ● | Resistive | ● | ● |
| V203 | SPST, N.O. | 10-30VAC/DC, 208-277VAC | | ● | Digital | ● | ● |

Some devices are plenum rated per UL 1995...see White Paper VWP01 at veris.com for details