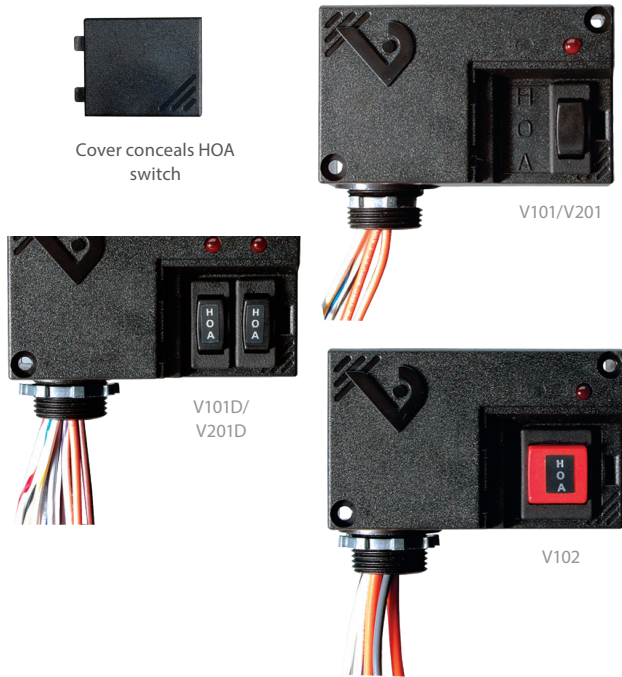


VICTORY 101, 102 & 103 SERIES

Relays with HOA Switches for Local Control



With a concealed HOA switch for local control and troubleshooting, the Victory 101, 102, and 103 Series relays provide HOA flexibility while limiting unauthorized switch manipulation. To further guard against control system override, some relays are equipped with a monitored HOA.

The V102 provides a two-wire resistive output and the V103 offers a three-wire digital monitor. Now your customers and technicians can enjoy the benefit of local control without the problems often caused by override.

SPECIFICATIONS

Operating Temp Range	-40 to 55 °C (-40 to 131 °F)
Operating Humidity Range	10 to 90% RH non-condensing
Expected Relay Life	Electrical (@ rated current) 100,000 cycles; Mechanical (unpowered) 10,000,000 cycles
Relay Status	LED ON=energized
Insulation Class	600 Vac RMS

WIRE SPECIFICATIONS

Lead Length	14" (356 mm) min.
Gauge	UL1015; Coil: 18 AWG; Contacts: 16 AWG; HOA monitor wires: 16 AWG

V102 RESISTIVE MONITOR MAXIMUMS

Voltage Max.	13.4 Vac/dc
Current Max.	4mA AC/DC

V103 Digital Monitor Maximums

Dry Circuit Contact Rating (Max.)	24 Vac/dc@100 mA
-----------------------------------	------------------

WARRANTY

Limited Warranty	5 years
------------------	---------

Nipple mount

Can be mounted to any electrical enclosure, easing installation

Flexible wire

Flexible tinned stranded wire... fits easily in tight spaces, provides secure connections to wire nuts

Protective cover

Conceals and protects the HOA switch, reducing the likelihood of tampering

UL508 Listed

Designed and listed for field installation...makes electrical inspection a snap

Sleek enclosure

Reduces the need for panel space

Switch position monitors

Allows the control system to notify personnel when a load is inadvertently left ON or OFF (V102 and V103 models)

APPLICATIONS

- Command contactors
- Control motors
- Isolation
- Device interlocking
- Relay logic
- Sense voltages for alarm conditions

TYPICAL COIL PERFORMANCE

Pull in Voltage	AC	
	DC	
10 to 30 V	8	9
120 V	78	
208 to 277 V	154	
Drop Out Voltage		
10 to 30 V	2	3
120 V	18	
208 to 277 V	36	
Voltage	Coil Current	
	AC	DC
10 V	25 mA	14 mA
24 V	31 mA	16 mA
30 V	39 mA	18 mA
120 V	22 mA	
208 V	19 mA	
277 V	25A	

CONTACT RATINGS

V101, V201, V101D*, V201D*	
Resistive	10 A @ 250 Vac
Motor	1/3 HP @ 120Vac
Gold Flash	Yes
V101, V201, V101D*, V201D*	
Resistive	10 A @ 277 Vac
Motor	1/3 HP @ 240 Vac
Gold Flash	Yes

*each relay

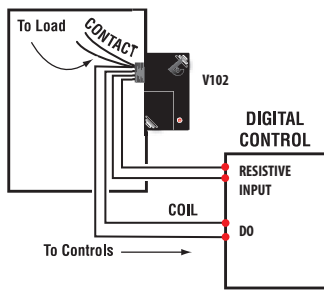
AGENCY APPROVALS

Agency Approvals	UL 508
------------------	--------

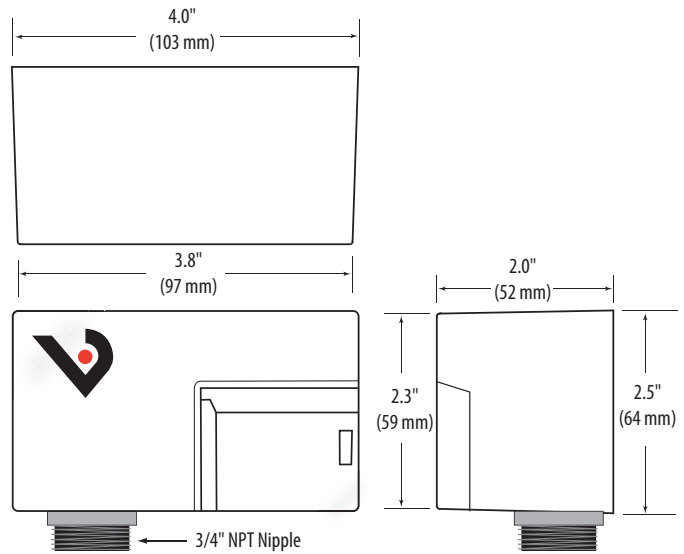


NIPPLE MOUNT DIRECTLY TO A PANEL

Wiring Diagram

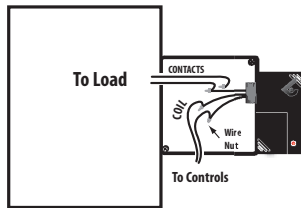


DIMENSIONAL DRAWING



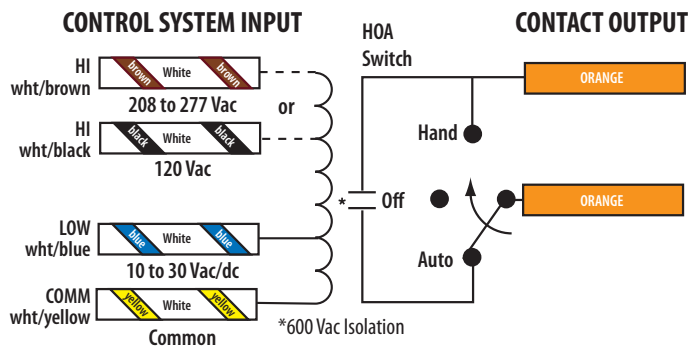
NIPPLE MOUNT TO ANY 2X OR 4X ELECTRICAL BOX

Wiring Diagram



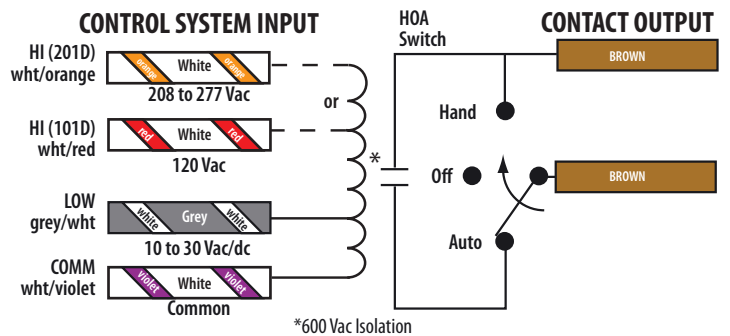
PRIMARY

Wire Color Codes



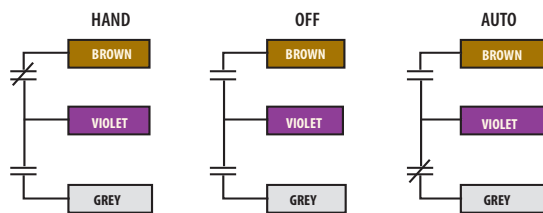
RELAY #2 FOR V101D/V201D ONLY

Wire Color Codes



V103 DIGITAL HOA POSITION MONITOR

Wire Color Codes



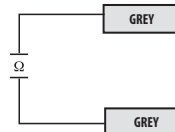
Switch Positions:

HAND = Brown wire closed to Common
OFF = Both wires open to Common

AUTO = Grey wire closed to Common
VIOLET = Common

V102 RESISTIVE HOA POSITION MONITOR

Switch Positions: Cable Faults:
HAND ~ 1.4 kΩ OPEN = Infinite Ω
OFF ~ 6.2 kΩ SHORT ~ 0 Ω
AUTO ~ 3.4 kΩ



ORDERING INFORMATION

MODEL	RELAY	COIL	AMPERAGE RATING	HOA	HOA MONITOR	RELAY POWER LED	UL
V101	SPST, N.O.	10 to 30 Vac/dc, 120 Vac	10 A	•	None	•	•
V101D	2x SPST, N.O.	10 to 30 Vac/dc, 120 Vac		•	None	•	•
V102	SPST, N.O.	10 to 30 Vac/dc, 120 Vac		•	Resistive	•	•
V103	SPST, N.O.	10 to 30 Vac/dc, 120 Vac		•	Digital	•	•
V201	SPST, N.O.	10 to 30 Vac/dc, 208 to 277 Vac		•	None	•	•
V201D	2x SPST, N.O.	10 to 30 Vac/dc, 208 to 277 Vac		•	None	•	•

