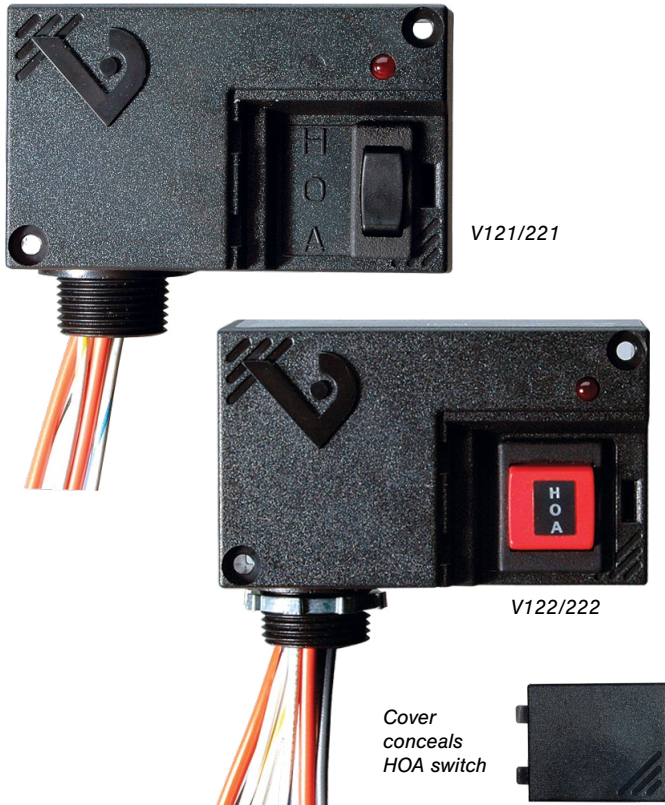




Enclosed Victory Relays: 20A SPST with HOA Switch

Victory 121, 122, & 123 Series



SPECIFICATIONS

Operating Temp Range	-40° to 60°C (-40° to 131°F)
Operating Humidity Range	10-90% RH non-condensing
Expected Relay Life	Electrical (@ rated current) 100,000 cycles; Mechanical (unpowered) 10,000,000 cycles
Relay Status	LED ON=energized
Insulation Class	277VAC RMS
Agency Approvals	UL 508
WIRE SPECIFICATIONS	
Lead Length	14" (356 mm) min.
Gauge	UL1015; Coil: 18 AWG; Contacts: 12 AWG; HOA monitor wires: 16 AWG
V122/V222 RESISTIVE MONITOR MAXIMUMS	
Voltage Max.	13.4VAC/DC
Current Max.	4mA AC/DC
V123/V223 DIGITAL MONITOR MAXIMUMS	
Dry Circuit Contact Rating (Max.)	24VAC/DC@100mA

TYPICAL COIL PERFORMANCE

Voltage	Coil Current	
	AC	DC
24V.....	75mA	32mA
120V.....	42mA	-
208V.....	36mA	-
277V.....	49mA	-

CONTACT RATINGS

V121, V221		
Resistive.....	20A@240VAC	
	8A@28VDC	
	14A@14VDC	
Motor.....	1HP@120VAC	
V122, V123, V222, V223		
Resistive.....	20A@240VAC	
	8A@28VDC	
	14A@14VDC	
Motor.....	1HP@250VAC	

HOA Switch Provides Local Control

FEATURES

- Sleek field enclosure reduces the need for panel space
- The nipple mount feature allows the V121 Series to be mounted to any electrical enclosure easing installation
- Flexible tinned stranded wire...fits easily in tight spaces and provides secure connections to wire nuts
- UL508 Listed...designed and approved for field installation... makes electrical inspection a snap
- Products include a cover that conceals and protects the HOA switch, reducing the likelihood of tampering
- Limit costly control system override & service calls
- The switch position monitors available with the V122/V222 & V123/V223 models allow the control system to notify building operating personnel when a load is inadvertently left ON or OFF

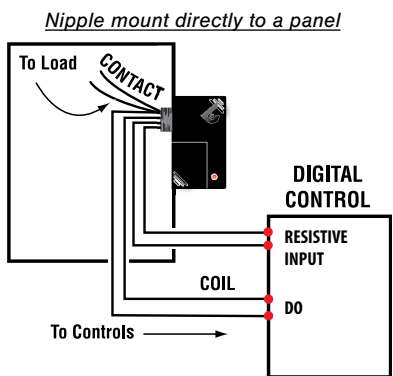
DESCRIPTION

The **Victory 121, 122, and 123 Series** HOA relays have a concealed HOA switch for local control and troubleshooting with limited unauthorized switch manipulation. To further guard against control system override, the V122/V222 and V123/V223 are equipped with a monitored HOA. The V122/V222 provides a two-wire resistive output and the V123/V223 offers a three-wire digital monitor. Now you can enjoy the convenience of local control with none of the drawbacks.

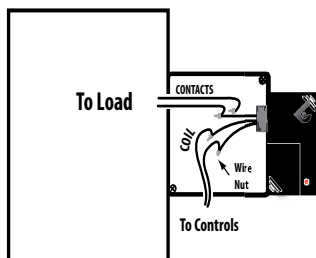
APPLICATIONS

- Command contactors
- Control motors
- Isolation
- Device interlocking
- Relay logic
- Sense voltages for alarm conditions

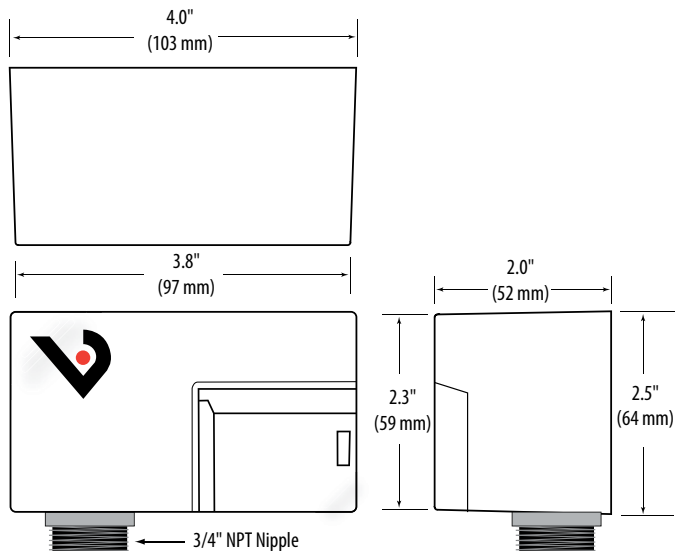
WIRING DIAGRAMS



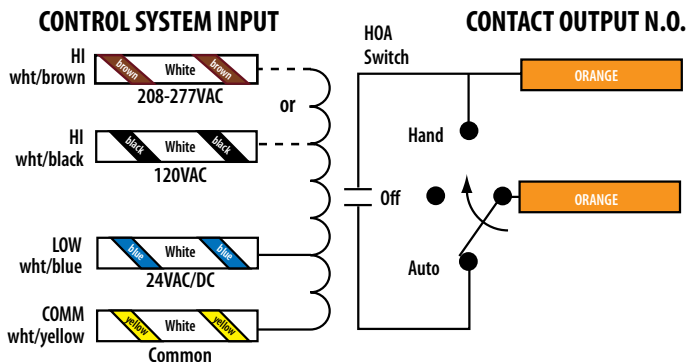
Nipple mount to any 2x or 4x electrical box



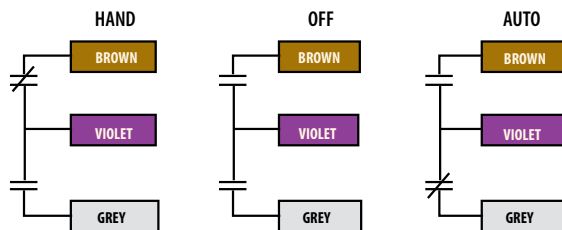
DIMENSIONAL DRAWING



WIRE COLOR CODES

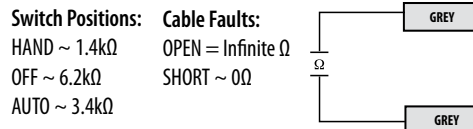


V123/V223 Digital HOA Position Monitor



Switch Positions:
 HAND = Brown wire closed to Common
 OFF = Both wires open to Common
 AUTO = Grey wire closed to Common
 VIOLET = Common

V122/V222 Resistive HOA Position Monitor



ORDERING INFORMATION

MODEL	RELAY	COIL	AMPERAGE RATING	HOA	HOA MONITOR	RELAY POWER LED	UL
V121	SPST, N.O.	24VAC/DC, 120VAC	20A	●	None	●	●
V122		24VAC/DC, 120VAC		●	Resistive	●	●
V123		24VAC/DC, 120VAC		●	Digital	●	●
V221		24VAC/DC, 208-277VAC		●	None	●	●
V222		24VAC/DC, 208-277VAC		●	Resistive	●	●
V223		24VAC/DC, 208-277VAC		●	Digital	●	●

Some devices are plenum rated per UL 1995...see White Paper VWP01 at veris.com for details